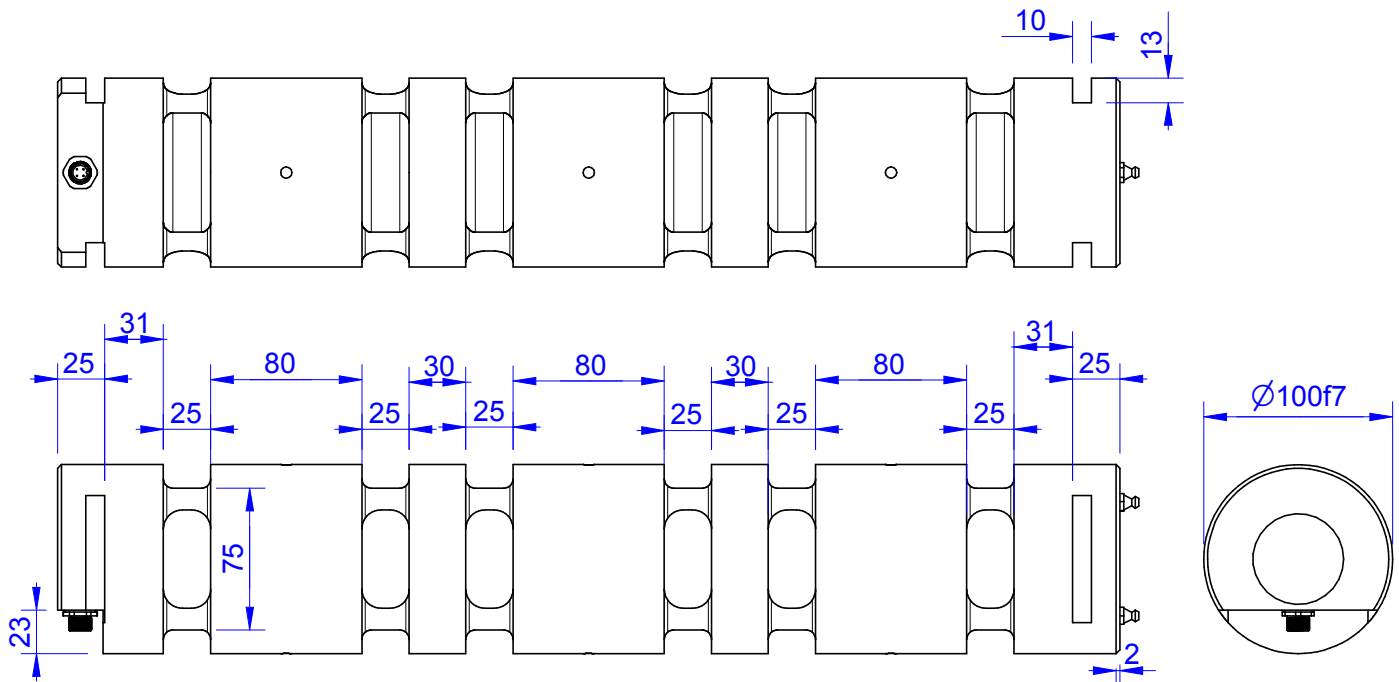
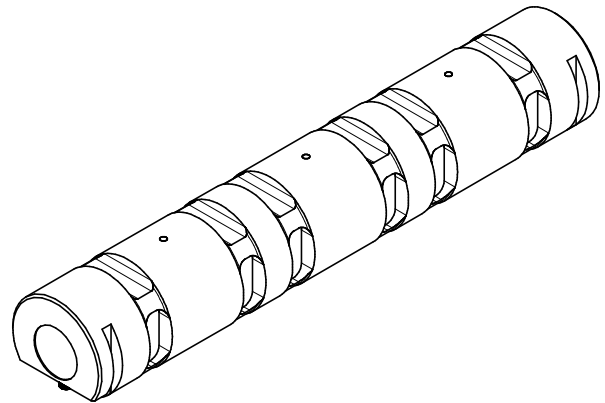


# MB278



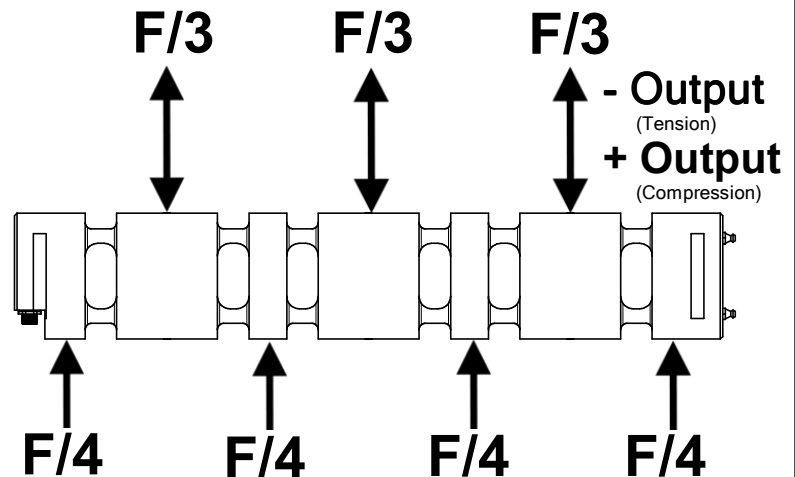
| Order no.    | Capacity (F.S.) | Review |
|--------------|-----------------|--------|
| MB278-200-B  | 200 kN          | B      |
| MB278-500-B* | 500 kN          | B      |
| MB278-1000-B | 1000 kN         | B      |

\* above showed version  
The fixed dimensions don't change at the other capacity.



## Specifications: (Customizing on request)

| Dimension / Material   |              |                |
|------------------------|--------------|----------------|
| Type of Construction   |              | HS Steel       |
| Material               |              | IP 68          |
| Protection class       |              |                |
| <b>Mechanical Data</b> |              |                |
| Safe Load Limit        | % of F.S.    | 150            |
| Breaking Load          | % of F.S.    | 300            |
| <b>Electrical Data</b> |              |                |
| Output @ 0kN           | mA           | 4              |
| Output @ F.S.          | mA           | 20             |
| Supply Voltage         | V            | 11..30         |
| Current Consumption    | mA           | 15 (@ 24V)     |
| Switching Output       |              | Open Collector |
| max. Switching current | mA           | 100            |
| <b>Precision</b>       |              |                |
| Precisionclass         | %            | 1              |
| Nonlinearity           | % of F.S.    | ±0,5           |
| Nonrepeatability       | % of F.S.    | ±0,25          |
| Hysteresis             | % of F.S.    | ±0,2           |
| Temp. Shift Zero       | % of F.S./K. | ±0,05          |
| Temp. Shift Span       | % of F.S./K. | ±0,05          |
| <b>Temperature</b>     |              |                |
| Compensated Temp.      | °C           | -10...+60      |
| Operating Temp.        | °C           | -20...+70      |



|  |            |               |            |
|--|------------|---------------|------------|
| Wiringcode: WC29                               |            |               |            |
| Integrated Amplifier: GSV-15AL                 |            |               |            |
| Cabeling: M12 Male Socket / Flanschdose (male) |            |               |            |
| Supply(+)                                      | Pin 2 / BN | Scale         | Pin 5 / GY |
| Ground (-)                                     | Pin 1 / WH | Threshold     | Pin 6 / PK |
| Output   | Pin 3 / GN | Output Ground | Pin 7 / BU |
| Tare   | Pin 4 / YE |               |            |

**Batarow**  
Made in Germany

Batarow Sensorik GmbH  
Karow 17  
18276 Lüssow

Mail: info@batarow.com  
Phone: +49 (0) 3843-855555  
Fax : +49 (0) 3843-218842

Internet:  
www.batarow.com

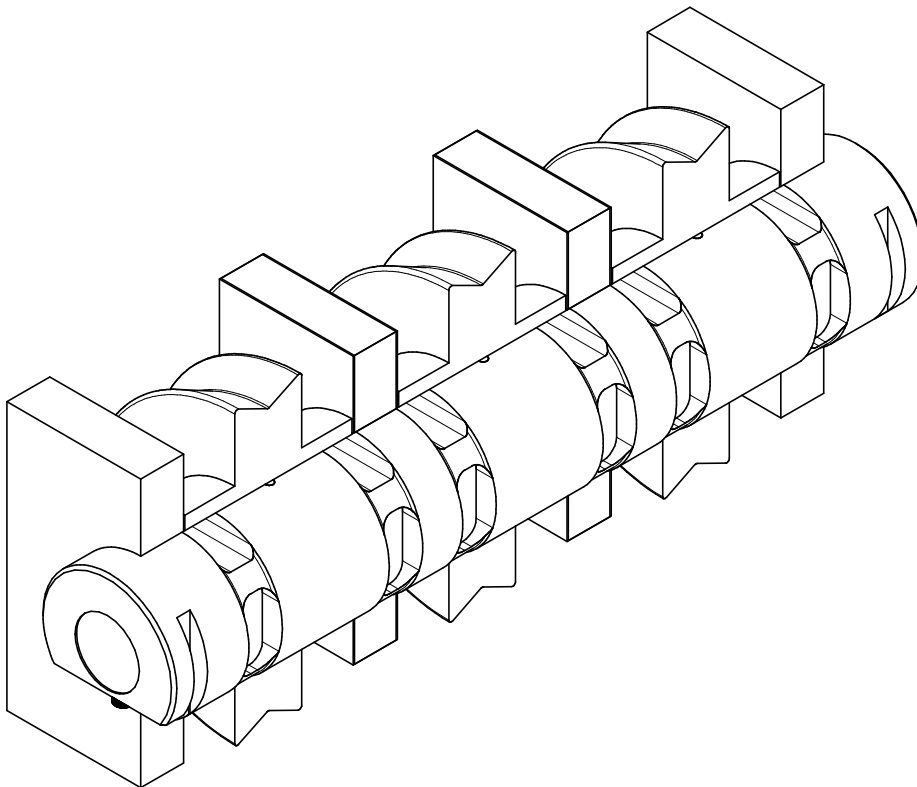
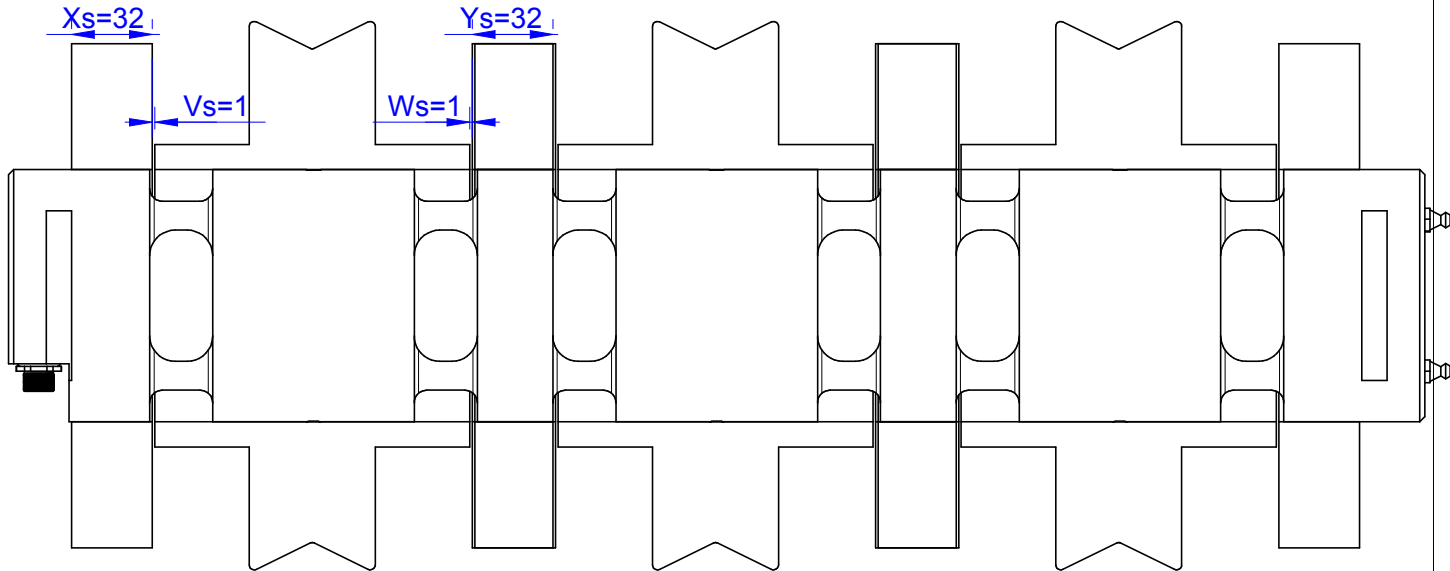
# Mounting Situation

MB278\_rev\_b

## Configuration 1 (Standard)

possible Mounting Situation / Customer Mounting could vary

(Please describe Mounting situation with Vs,Ws,Xs,Ys and Zs for best possible calibration)



**Batarow**  
Made in Germany

Batarow Sensorik GmbH  
Karow 17  
18276 Lüssow

Mail: [info@batarow.com](mailto:info@batarow.com)  
Phone: +49 (0) 3843-855555  
Fax : +49 (0) 3843-218842

Internet:  
[www.batarow.com](http://www.batarow.com)