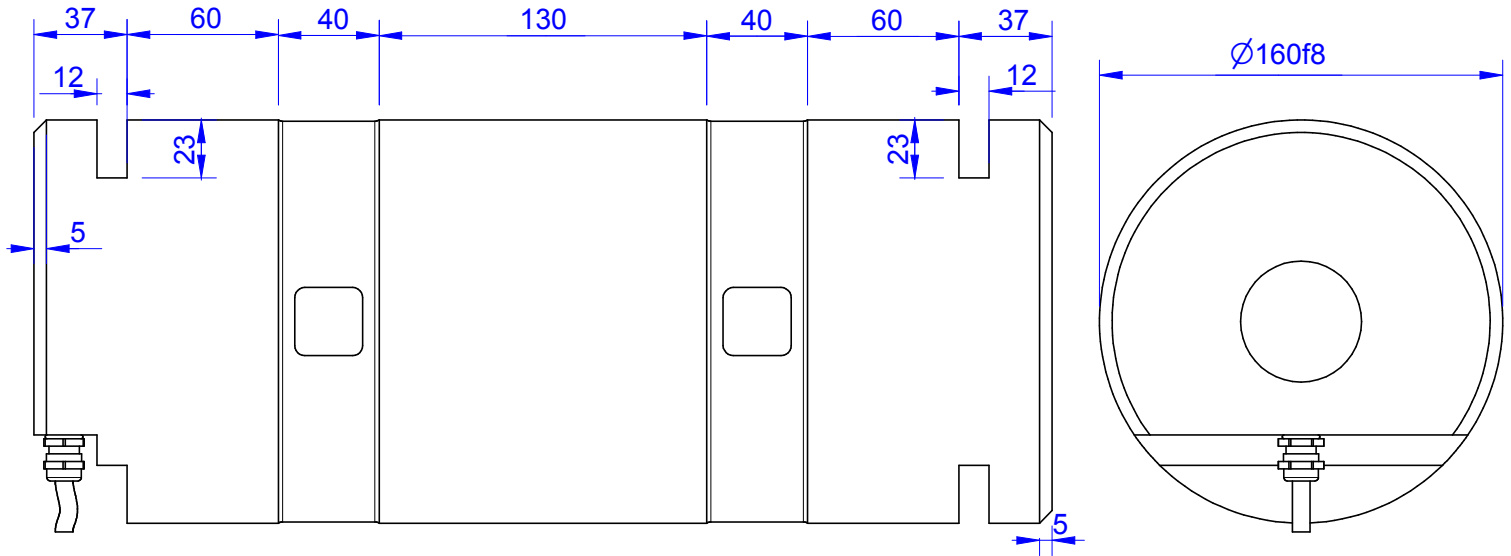
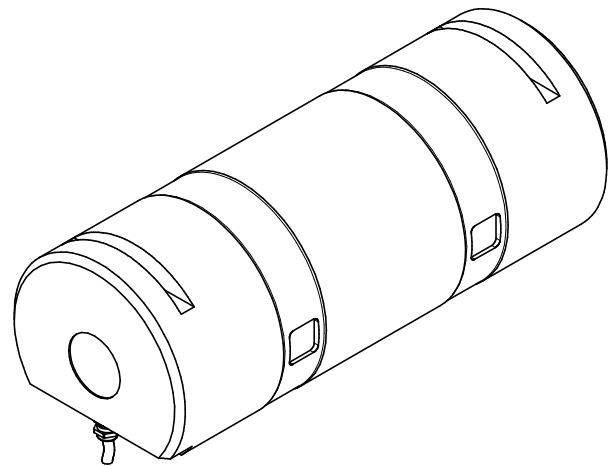


MB274



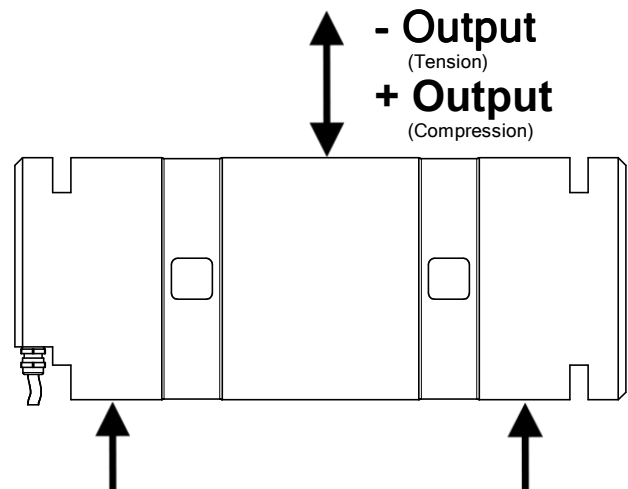
Order no.	Capacity (F.S.)	Review
MB274-100-A	100 kN	A
MB274-200-A	200 kN	A
MB274-500-A	500 kN	A
MB274-1000-A	1000 kN	A
MB274-2500-A	2500 kN	A

* above showed version
The fixed dimensions don't change at the other capacity.



Specifications: (Customizing on request)

Dimension / Material		
Type of Construction		HS Steel
Material		IP 66
Protection class		
Mechanical Data		
Safe Load Limit	% of F.S.	150
Breaking Load	% of F.S.	300
Electrical Data		
Output @ 0kN	mA	4
Output @ F.S.	mA	20
Supply Voltage	V	11..30
Current Consumption	mA	15 (@ 24V)
Switching Output		Open Collector
max. Switching current	mA	100
Precision		
Precisionclass	%	1
Nonlinearity	% of F.S.	±0,5
Nonrepeatability	% of F.S.	±0,25
Hysteresis	% of F.S.	±0,2
Temp. Shift Zero	% of F.S./K.	±0,05
Temp. Shift Span	% of F.S./K.	±0,05
Temperature		
Compensated Temp.	°C	-10...+60
Operating Temp.	°C	-20...+70



Wiringcode: WC8					
Integrated Amplifier: GSV-15AL					
Output: 4mA @ 0kN 20mA @ F.S.					
Cabeling: 10 m 3x2x0,25					
Supply(+)	Ground (-)	Output	Tare	Scale	Threshold
brown	white	green	yellow	pink	grey

Batarow
Made in Germany

Batarow Sensorik GmbH
Karow 17
18276 Lüssow

Mail: info@batarow.com
Phone: +49 (0) 3843-855555
Fax : +49 (0) 3843-218842

Internet:
www.batarow.com

g Situation

on 1 (Standard)

Situation / Customer Mounting could vary
(Mounting situation with Vs,Ws,Xs,Ys and Zs for best possible calibration)

