

MB1608

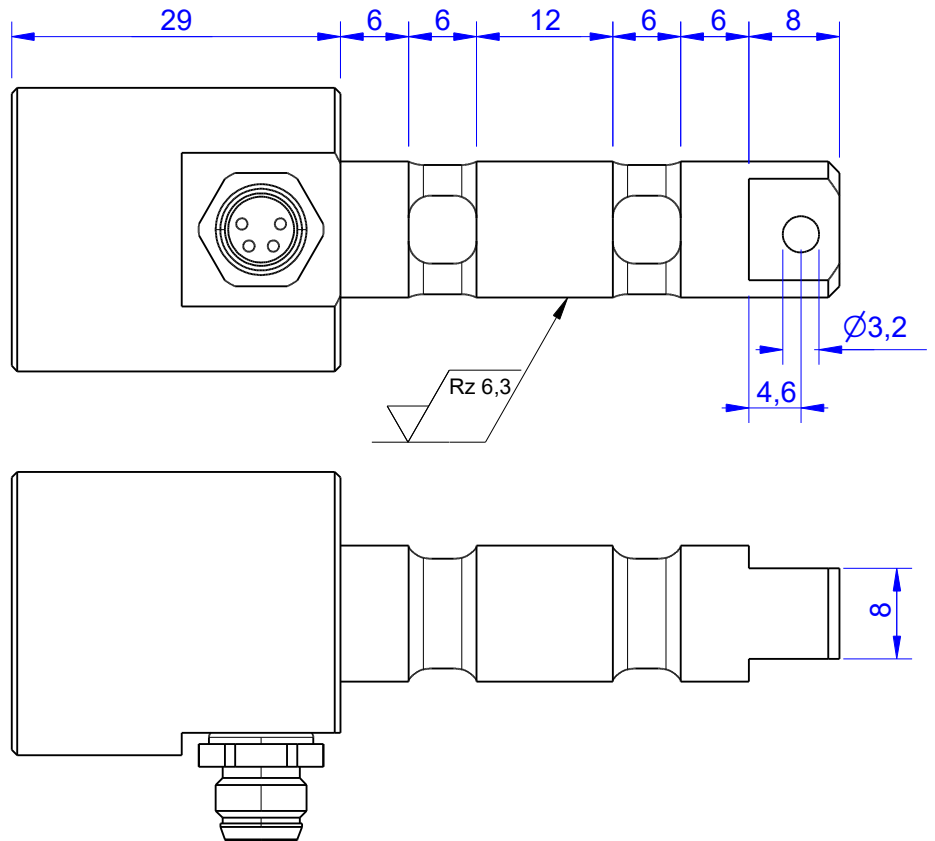
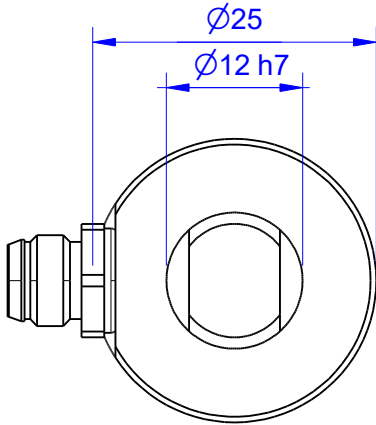
Load Pin

Content of Loadpin Datasheet

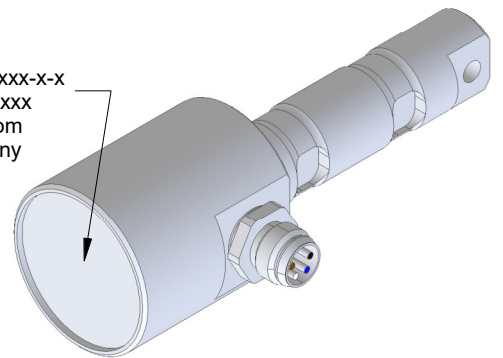
Page 1 ... General

Page 2 ... Mounting Situation

Page 3 ... Output Signal & Wiring



Marking:
 Loadpin: MBx
 Orderno.: MBx-xxx-x-x
 Serialno.: xxxxxxxx
 www.batarow.com
 Made in Germany

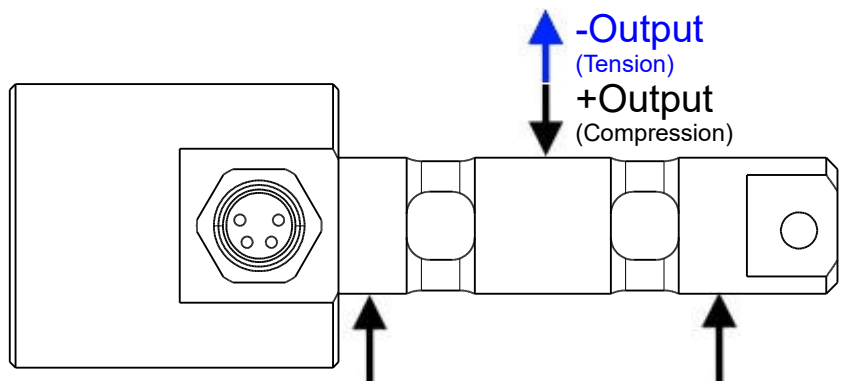


| Ordernumber | Capacity [kN] (F.S.) | Uncertainty [kN] (k=2) | Review |
|---------------|-------------------------|---------------------------|--------|
| MB1608-1-x-A | 1 | ± 0,005 | A |
| MB1608-2-x-A | 2 | ± 0,010 | A |
| MB1608-4-x-A | 4 | ± 0,020 | A |
| MB1608-9-x-A* | 9 | ± 0,045 | A |

* above showed version
 fixed dimensions don't change at other capacity

Specifications:

| | | |
|-----------------------------|--------------|-----------------|
| Dimension / Material | | Stainless Steel |
| Material | | IP 66 |
| Protection class | | 40..45 |
| Hardness (load area) | HRC | |
| Mechanical Data | | |
| Safe Load Limit | % of F.S. | 150 |
| Breaking Load | % of F.S. | 300 |
| Precision | | |
| Nonlinearity | % of F.S. | ±0,5 |
| Nonrepeatability | % of F.S. | ±0,25 |
| Hysteresis | % of F.S. | ±0,2 |
| Temp. Shift Zero | % of F.S./K. | ±0,05 |
| Temp. Shift Span | % of F.S./K. | ±0,05 |
| Temperature | | |
| Compensated Temp. | °C | -10...+60 |
| Operating Temp. | °C | -20...+70 |



Batarow
 Made in Germany

Batarow Sensorik GmbH
 Gewerbegebiet 4
 18276 Lüssow OT Karow

Mail: info@batarow.com
 Phone: +49 (0) 3843-855555
 Fax : +49 (0) 3843-855556

Internet:
 www.batarow.com

Mounting Situation

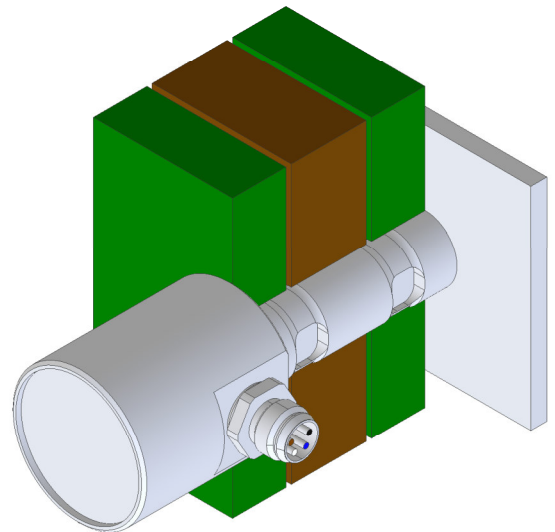
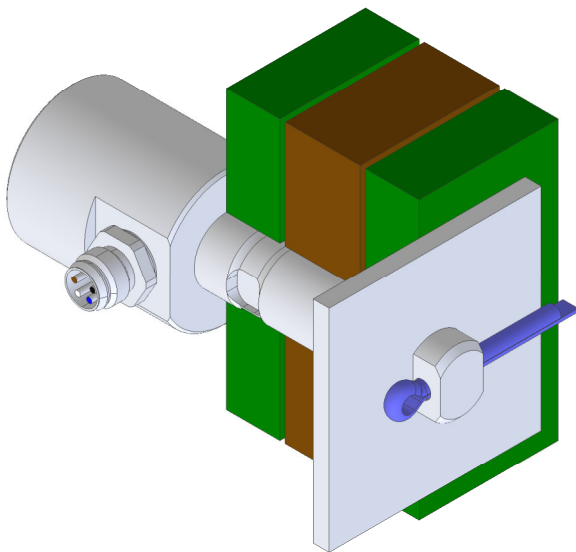
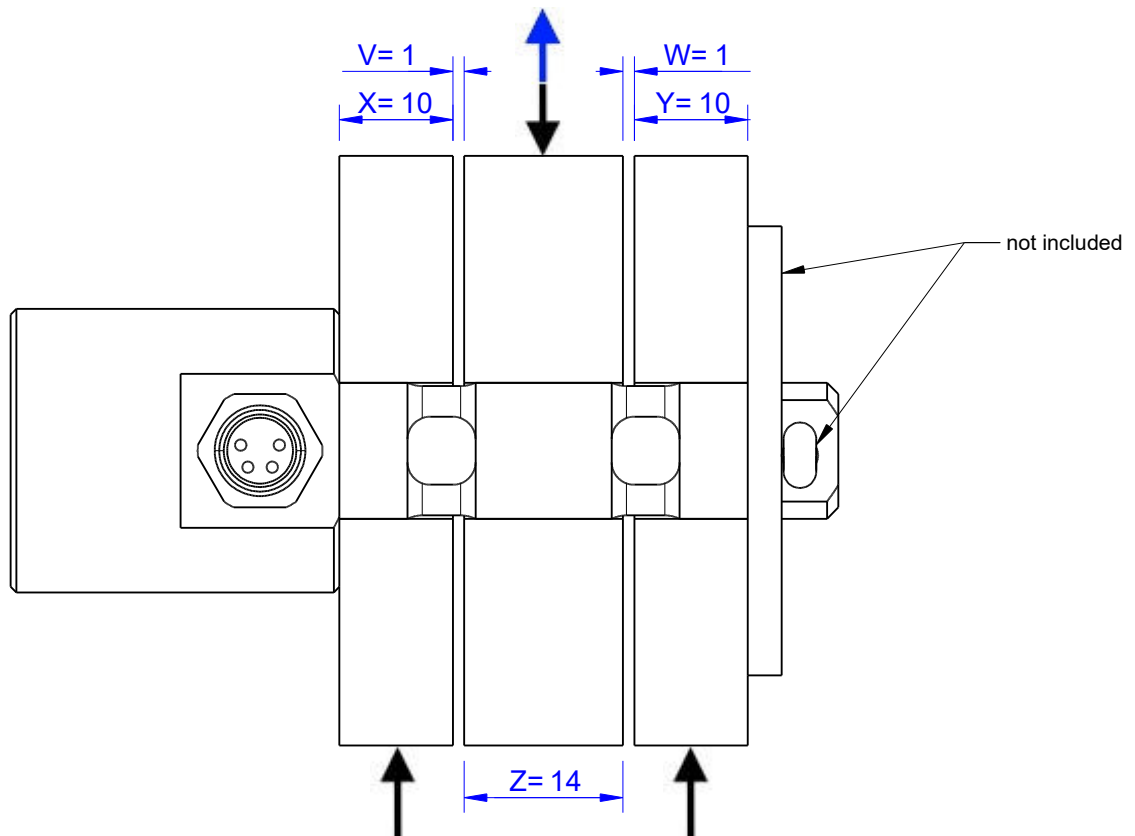
MB1608 Review: A

Bore fit of mounting situation: H7

Configuration

possible mounting situation / customer mounting could vary

(Please describe mounting situation with Vs, Ws, Xs, Ys and Zs for best possible calibration)



Batarow
Made in Germany

Batarow Sensorik GmbH
Gewerbegebiet 4
18276 Lüssow OT Karow

Mail: info@batarow.com
Phone: +49 (0) 3843-855555
Fax : +49 (0) 3843-855556

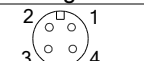
Internet:
www.batarow.com

Output Signal & Wiring

MB1608 Review: A

Analog Output mV/V (S1)

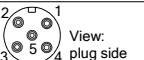
| Electrical Data | | |
|-----------------------|-----------|---------|
| Rated Output | mV/V@F.S. | 1 |
| Zero Balance | mV/V | ±0,05 |
| Exitation (Maximum) | Volt | 10 |
| Input Resistance | Ohm | 450±100 |
| Output Resistance | Ohm | 352±2 |
| Insulating Resistance | GOhm | >5 |

| | | | | | |
|---|------------------------|---------------------------|---------------------|---------------------|--|
| Wiringcode: WC58 | | Connectortype: M12 (male) | | | |
|  | Exitation (+) Pin 1 | Exitation (-) Pin 2 | Bridge (+) Pin 3 | Bridge (-) Pin 4 | |

Ordernumber Add-On:
MBxxx-x-S1-x

Analog Output 0V..10V (U1)*


| Electrical Data U1 | | |
|---------------------|-----|------------|
| Output @ 0kN | V | 0 |
| Output @ F.S. | V | 10 |
| Supply Voltage | V | 14..28 |
| Current Consumption | mA | 25 (@ 24V) |
| Bandwidth | kHz | 1 |

| | | | | | |
|---|---------------------|--------------------------------|--------------|---------------|----------------|
| Wiringcode: WC46 | | Connectortype: M12 (male plug) | | | |
|  | Supply (+) Pin 1 | Output Pin 4 | GND Pin 3 | Tara Pin 2 | Scale Pin 5 |

Ordernumber Add-On:
MBxxx-x-U1-x

Analog Output 4..20mA (I1)*


| Electrical Data I1 | | |
|---------------------|-----|------------|
| Output @ 0kN | mA | 4 |
| Output @ F.S. | mA | 20 |
| Supply Voltage | V | 14..28 |
| Current Consumption | mA | 45 (@ 24V) |
| Bandwidth | kHz | 1 |

| | | | | | |
|---|---------------------|--------------------------------|--------------|---------------|----------------|
| Wiringcode: WC46 | | Connectortype: M12 (male plug) | | | |
|  | Supply (+) Pin 1 | Output Pin 4 | GND Pin 3 | Tara Pin 2 | Scale Pin 5 |

Ordernumber Add-On:
MBxxx-x-I1-x

Analog & Switch Output 0V..10V (U20)*


| Electrical Data U20 | | |
|------------------------|----|----------------|
| Output @ 0kN | V | 0 |
| Output @ F.S. | V | 10 |
| Supply Voltage | V | 9..28 |
| Current Consumption | mA | 15 (@ 24V) |
| Bandwidth | Hz | 2000 |
| Switching Output | | Open Collector |
| max. Switching current | mA | 100 |

| | | | |
|---|-------|---|-------|
| Wiringcode: WC39 | |  | |
| Integrated Amplifier: GSV-6 | | | |
| Cabeling: M12 Male Socket / Flanschstecker (male) | | | |
| Supply(+) | Pin 1 | Scale | Pin 5 |
| Ground (-) | Pin 3 | Threshold | Pin 6 |
| Output | Pin 4 | Output Ground | Pin 7 |
| Tare | Pin 2 | | |

Ordernumber Add-On:
MBxxx-x-U20-x

Analog & Switch Output 4..20mA (I20)*

| Electrical Data I20 | | |
|------------------------|----|----------------|
| Output @ 0kN | mA | 4 |
| Output @ F.S. | mA | 20 |
| Supply Voltage | V | 9..28 |
| Current Consumption | mA | 35 (@ 24V) |
| Bandwidth | Hz | 2000 |
| Switching Output | | Open Collector |
| max. Switching current | mA | 100 |

| | | | |
|---|-------|---|-------|
| Wiringcode: WC39 | |  | |
| Integrated Amplifier: GSV-6 | | | |
| Cabeling: M12 Male Socket / Flanschstecker (male) | | | |
| Supply(+) | Pin 1 | Scale | Pin 5 |
| Ground (-) | Pin 3 | Threshold | Pin 6 |
| Output | Pin 4 | Output Ground | Pin 7 |
| Tare | Pin 2 | | |

Ordernumber Add-On:
MBxxx-x-I20-x

Attention: Nipple orientation of connector is not fixed. In case of 90° connector - it is necessary to set by customer.

*Attention: With this output configuration is no negative signal (Tension) possible. Please ask our engineering for 4..12..20mA; 1..5..9V or ±10V versions.

Batarow
Made in Germany

Batarow Sensorik GmbH
Gewerbegebiet 4
18276 Lüssow OT Karow

Mail: info@batarow.com
Phone: +49 (0) 3843-855555
Fax : +49 (0) 3843-855556

Internet:
www.batarow.com