

MB1604

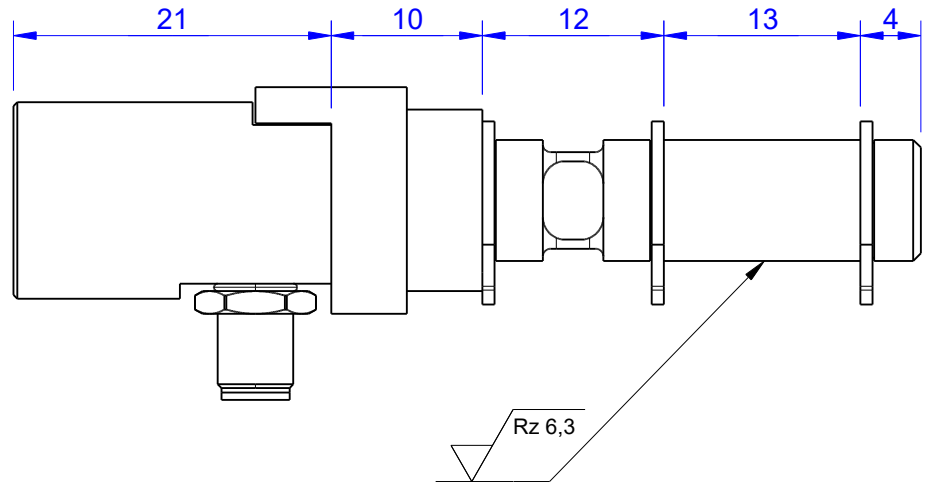
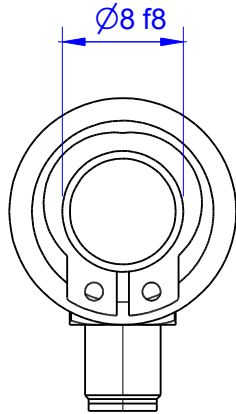
Single side load Pin

Content of Loadpin Datasheet

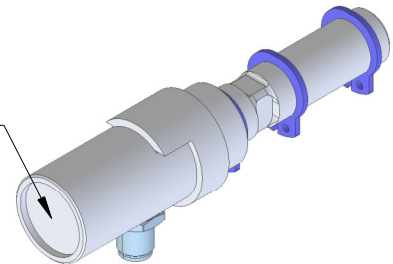
Page 1 ... General

Page 2 ... Mounting Situation

Page 3 ... Output Signal & Wiring



Marking:
Loadpin: MBx
Orderno.: MBx-xxx-x-x
Serialno.: xxxxxxxx
www.batarow.com
Made in Germany

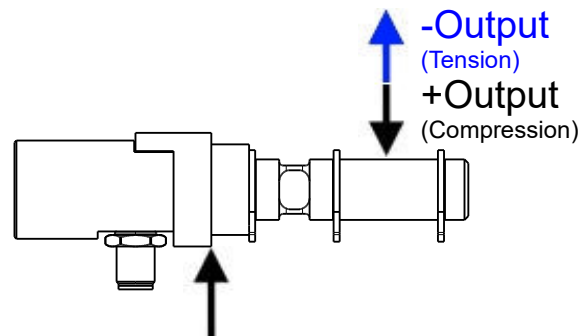


Ordernumber	Capacity [kN] (F.S.)	Uncertainty [kN] (k=2)	Review
MB1604-0,25-x-A*	0,25	± 0,0025	A
MB1604-0,5-x-A	0,5	± 0,0050	A
MB1604-1-x-A	1	± 0,0100	A
MB1604-1,5-x-A	1,5	± 0,0150	A
MB1604-2-x-A	2	± 0,0200	A

* above showed version
fixed dimensions don't change at other capacity

Specifications:

Dimension / Material		Stainless Steel
Material		IP 66
Protection class		40..45
Hardness (load area)	HRC	
Mechanical Data		
Safe Load Limit	% of F.S.	150
Breaking Load	% of F.S.	300
Precision		
Nonlinearity	% of F.S.	±0,5
Nonrepeatability	% of F.S.	±0,25
Hysteresis	% of F.S.	±0,2
Temp. Shift Zero	% of F.S./K.	±0,05
Temp. Shift Span	% of F.S./K.	±0,05
Temperature		
Compensated Temp.	°C	-10...+60
Operating Temp.	°C	-20...+70



Batarow
Made in Germany

Batarow Sensorik GmbH
Gewerbegebiet 4
18276 Lüssow OT Karow

Mail: info@batarow.com
Phone: +49 (0) 3843-855555
Fax : +49 (0) 3843-855556

Internet:
www.batarow.com

Mounting Situation

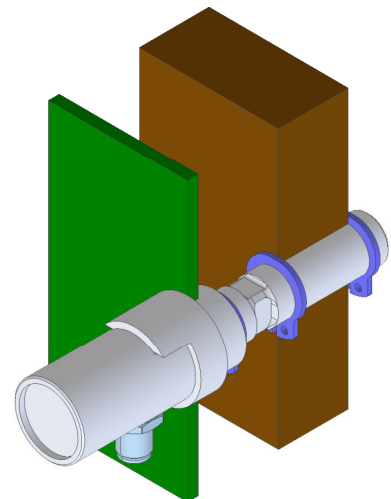
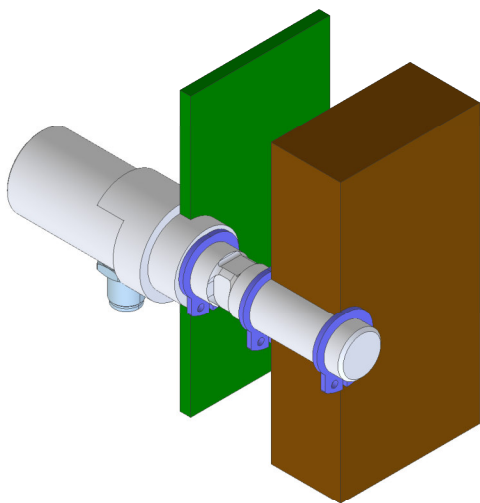
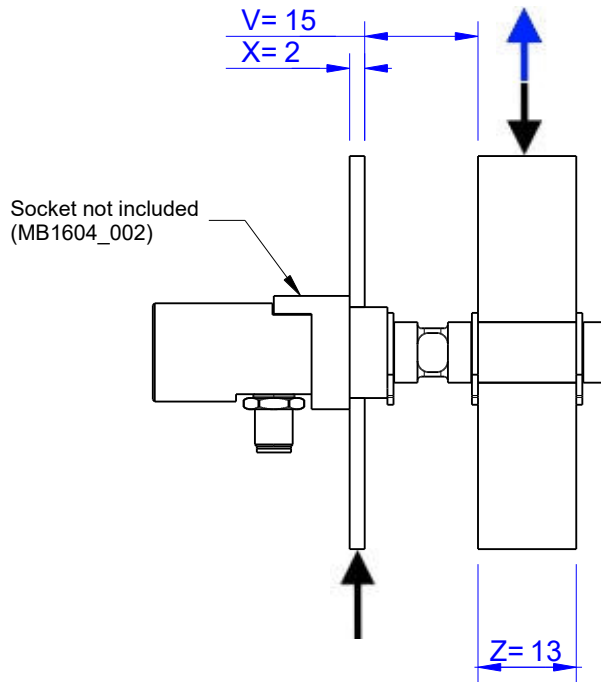
MB1604 Review: A

Bore fit of mounting situation: H7

Configuration

possible mounting situation / customer mounting could vary

(Please describe mounting situation with Vs, Ws, Xs, Ys and Zs for best possible calibration)




Output Signal & Wiring

MB1604 Review: A

Analog Output mV/V (S1)

Electrical Data		
Rated Output	mV/V@F.S.	1
Zero Balance	mV/V	±0,05
Excitation (Maximum)	Volt	10
Input Resistance	Ohm	450±100
Output Resistance	Ohm	352±2
Insulating Resistance	GOhm	>5

Wiringcode: WC58		Connectortype: M12 (male)			
	Excitation (+)	Excitation (-)	Bridge (+)	Bridge (-)	
	Pin 1	Pin 2	Pin 3	Pin 4	

Ordernumber Add-On:
MBxxx-x-S1-x

Batarow
Made in Germany

Batarow Sensorik GmbH
Gewerbegebiet 4
18276 Lüssow OT Karow

Mail: info@batarow.com
Phone: +49 (0) 3843-855555
Fax : +49 (0) 3843-855556

Internet:
www.batarow.com

Performance Level

MB1604 Review: A

1. Identification:

ISO 13849-1: 2008 Category 1 PL c

2. Classification:

Used standard: DIN EN ISO 13849-1: 2008

Performance Level: Plc

Category: 1

Diagnostic coverage: Low

MTTFd-value: 85,7 years

3. Limits for the operation:

All technical information from datasheet have to be considered.

Deviations lead to loss of safety functions: Attention

Only use the loadpin within the temperature limits of -20°C to $+70^{\circ}\text{C}$

Use the right range of supply voltage

Protect the loadpin of mechanical overload

4. Lifetime

The calculations are based on a lifetime of 20 years in continuous operation with a maximum duty cycles of from 5,000 cycles per year.

5. Error display:

The error display is performed by the undershoot and overshoot of the signal.

Output signal:

Error 1: the output signal is less $-0,05\text{ mV/V}$

Error 2: the output signal is greater $+1,05\text{ mV/V}$