

MB1161

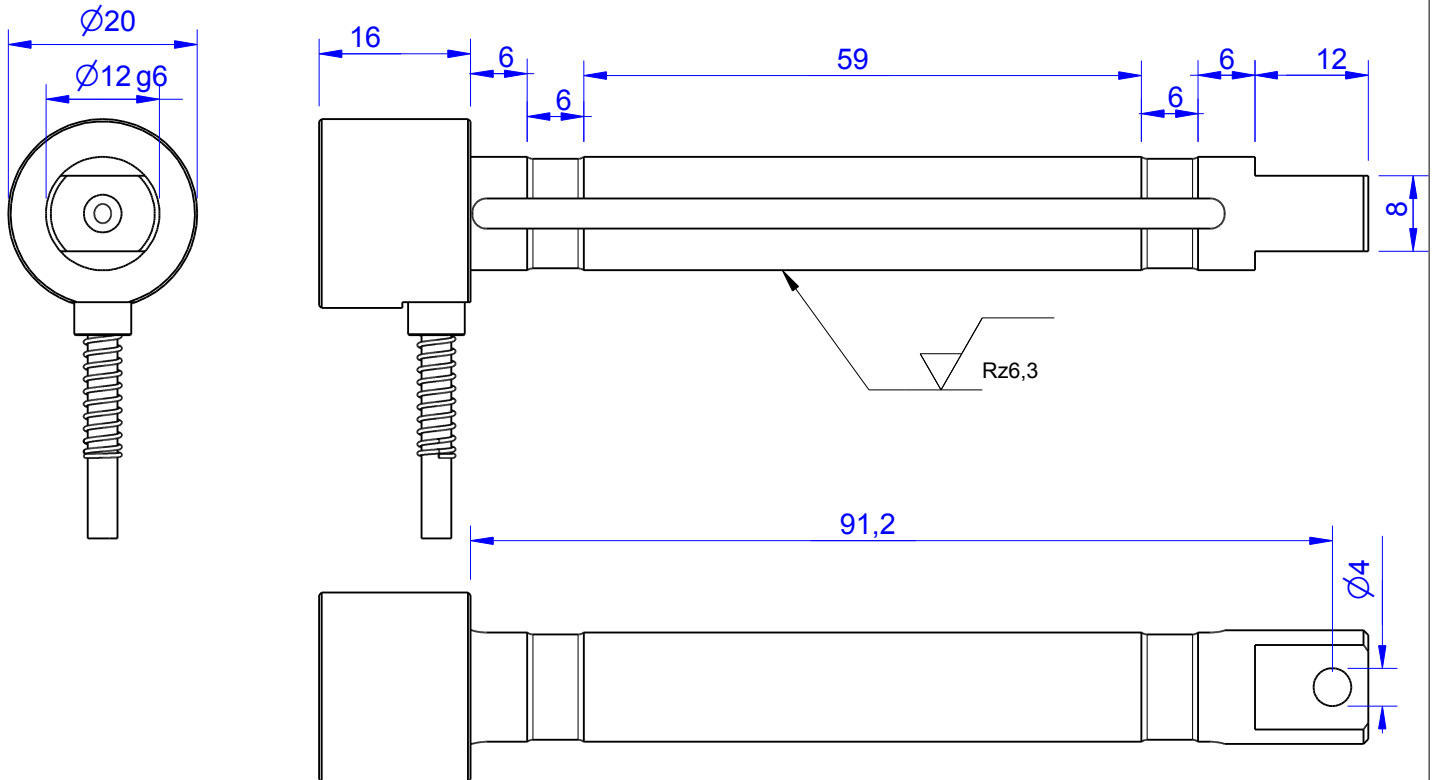
Load Pin

Content of Loadpin Datasheet

Page 1 ... General

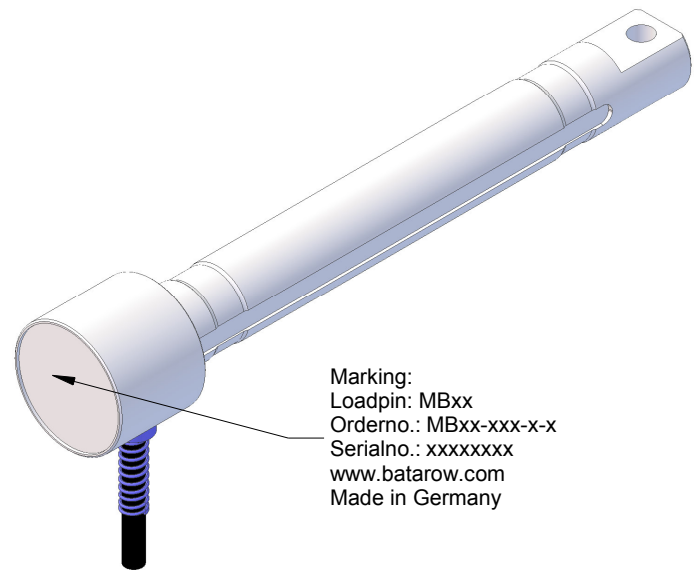
Page 2 ... Mounting Situation

Page 3 ... Output Signal & Wiring



| Order-number | Capacity (F.S.) | Uncertainty (k=2) | Review |
|----------------|-----------------|-------------------|--------|
| MB1161-1-x-B | 1 kN | ±0,005kN | B |
| MB1161-2-x-B | 2 kN | ±0,010 kN | B |
| MB1161-5-x-B | 5 kN | ±0,025 kN | B |
| MB1161-10-x-B* | 10 kN | ±0,05 kN | B |

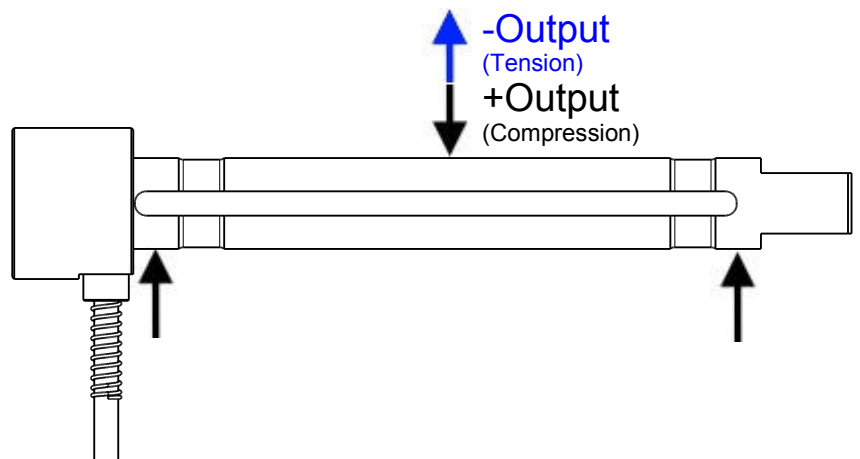
* above showed version
The fixed dimensions don't change at the other capacity.



Marking:
Loadpin: MBxx
Orderno.: MBxx-xxx-x-x
Serialno.: xxxxxxxx
www.batarow.com
Made in Germany

Specifications:

| Dimension / Material | | |
|------------------------|--------------|-----------------|
| Material | | Stainless Steel |
| Protection class | | IP 64 |
| Hardness (load area) | HRC | 40..45 |
| Mechanical Data | | |
| Safe Load Limit | % of F.S. | 150 |
| Breaking Load | % of F.S. | 300 |
| Precision | | |
| Nonlinearity | % of F.S. | ±0,5 |
| Nonrepeatability | % of F.S. | ±0,25 |
| Hysteresis | % of F.S. | ±0,2 |
| Temp. Shift Zero | % of F.S./K. | ±0,05 |
| Temp. Shift Span | % of F.S./K. | ±0,05 |
| Temperature | | |
| Compensated Temp. | °C | -10...+60 |
| Operating Temp. | °C | -40...+80 |



Batarow
Made in Germany

Batarow Sensorik GmbH
Pappelweg 16
18276 Lüssow OT Karow

Mail: info@batarow.com
Phone: +49 (0) 3843-855555
Fax : +49 (0) 3843-218842

Internet:
www.batarow.com

Mounting Situation

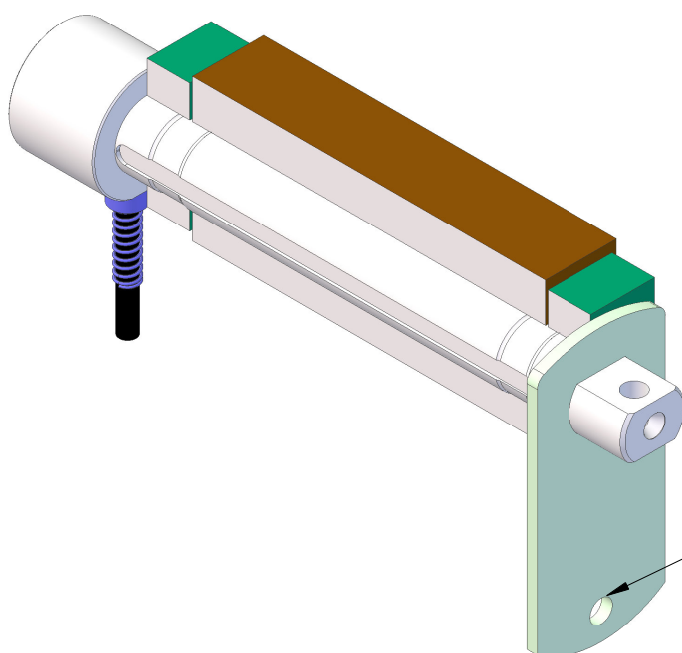
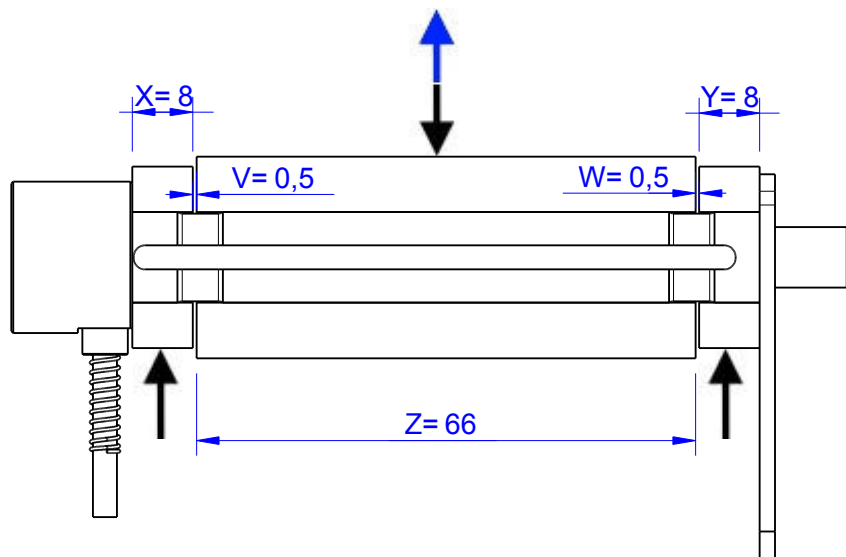
MB1161 Review: B

Bore fit of mounting situation: H7

Configuration

possible mounting situation / customer mounting could vary

(Please describe mounting situation with Vs, Ws, Xs, Ys and Zs for best possible calibration)



Key: mb1161_002(a)
not included

Batarow
Made in Germany

Batarow Sensorik GmbH
Pappelweg 16
18276 Lüssow OT Karow

Mail: info@batarow.com
Phone: +49 (0) 3843-855555
Fax : +49 (0) 3843-218842

Internet:
www.batarow.com

Output Signal & Wiring

MB1161 Review: B

Analog Output mV/V (S1)

| Electrical Data | | |
|-----------------------|-----------|----------|
| Rated Output | mV/V@F.S. | 1 |
| Zero Balance | mV/V | ±0,05 |
| Excitation (Maximum) | Volt | 10 |
| Input Resistance | Ohm | 1200±200 |
| Output Resistance | Ohm | 1002±2 |
| Insulating Resistance | GOhm | >5 |

| | | | | |
|------------------|----------------|-----------------|------------|------------|
| Wiringcode: WC52 | | Cabletype: 24-4 | | |
| Cable Length | Excitation (+) | Excitation (-) | Bridge (+) | Bridge (-) |
| 3 m | brown | white | green | yellow |

Ordernumber Add-On:
MBxxx-x-S1-x

Analog Output 1V..10V (U1)*

| Electrical Data U1 | | |
|---------------------|-----|------------|
| Output @ 0kN | V | 1±0,2 |
| Output @ F.S. | V | 10±0,2 |
| Supply Voltage | V | 24±2 |
| Current Consumption | mA | 25 (@ 24V) |
| Bandwidth | kHz | 0,3 |

| | | | |
|--------------------|------------|--------|--------|
| Wiringcode: WC23 | | | |
| Cabeling: 3 m 24-4 | | | |
| Supply(+) | Ground (-) | Output | n.c. |
| brown | white | green | yellow |

Ordernumber Add-On:
MBxxx-x-U1-x

Analog Output 4..20mA (I1)*

| Electrical Data I1 | | |
|---------------------|-----|------------|
| Output @ 0kN | mA | 4±0,5 |
| Output @ F.S. | mA | 20±0,5 |
| Supply Voltage | V | 24±2 |
| Current Consumption | mA | 45 (@ 24V) |
| Bandwidth | kHz | 0,3 |

| | | | |
|--------------------|------------|--------|--------|
| Wiringcode: WC23 | | | |
| Cabeling: 3 m 24-4 | | | |
| Supply(+) | Ground (-) | Output | n.c. |
| brown | white | green | yellow |

Ordernumber Add-On:
MBxxx-x-I1-x

Attention: Nipple orientation of connector is not fixed. In case of 90° connector - it is necessary to set by customer.

*Attention: With this output configuration is no negative signal (Tension) possible. Please ask our engineering for 4..12..20mA; 1..5..9V or ±10V versions.

Batarow
Made in Germany

Batarow Sensorik GmbH
Pappelweg 16
18276 Lüssow OT Karow

Mail: info@batarow.com
Phone: +49 (0) 3843-855555
Fax : +49 (0) 3843-218842

Internet:
www.batarow.com