

MB1064

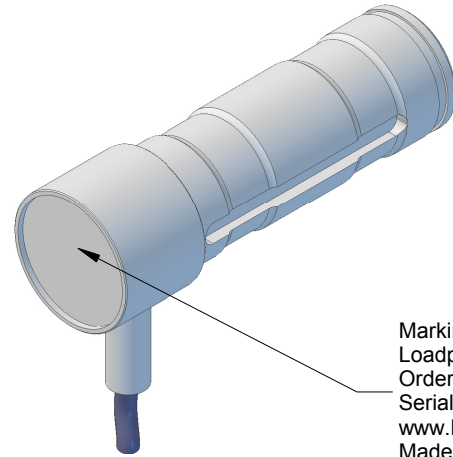
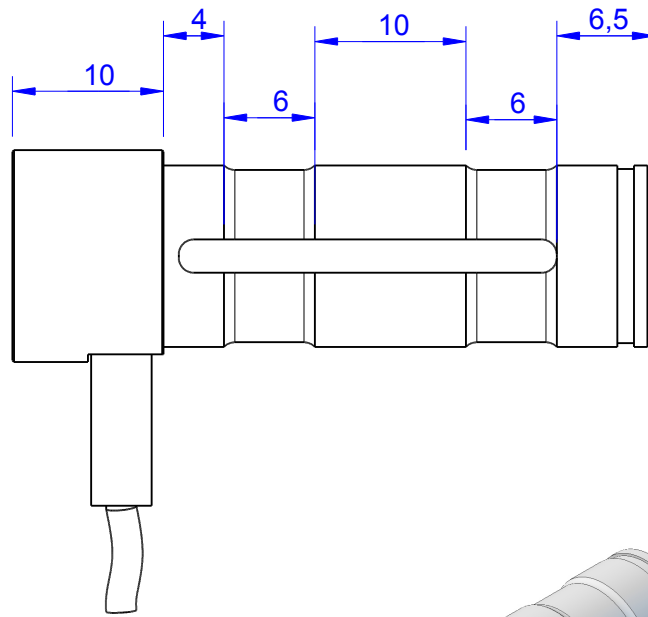
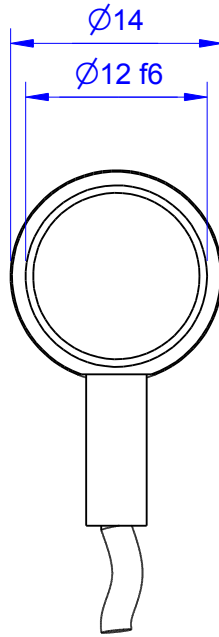
Load Pin

Content of Loadpin Datasheet

Page 1 ... General

Page 2 ... Mounting Situation

Page 3 ... Output Signal & Wiring



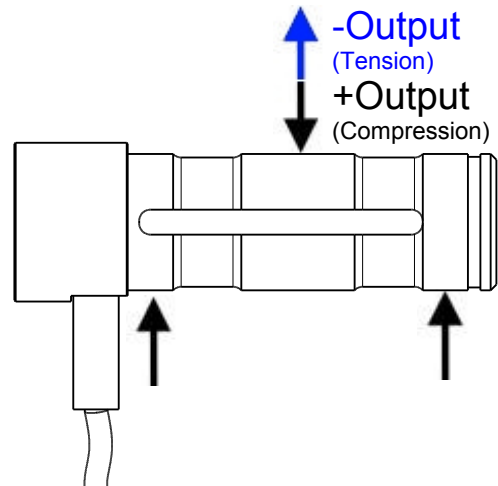
Marking:
Loadpin: MBx
Orderno.: MBx-xxx-x-x
Serialno.: xxxxxxxx
www.batarow.com
Made in Germany

| Order-number | Capacity (F.S.) | Uncertainty (k=2) | Review |
|---------------|-----------------|-------------------|--------|
| MB1064-1-A | 1 kN | ±0,005kN | A |
| MB1064-2-x-A | 2 kN | ±0,001 kN | A |
| MB1064-5-x-A | 5 kN | ±0,025 kN | A |
| MB1064-9-x-A* | 9 kN | ±0,05 kN | A |

* above showed version
The fixed dimensions don't change at the other capacity.

Specifications:

| Dimension / Material | | |
|------------------------|--------------|-----------|
| Material | | Steel |
| Protection class | | IP 64 |
| Hardness (load area) | HRC | 56..62 |
| Mechanical Data | | |
| Safe Load Limit | % of F.S. | 120 |
| Breaking Load | % of F.S. | 200 |
| Precision | | |
| Nonlinearity | % of F.S. | ±0,5 |
| Nonrepeatability | % of F.S. | ±0,25 |
| Hysteresis | % of F.S. | ±0,2 |
| Temp. Shift Zero | % of F.S./K. | ±0,05 |
| Temp. Shift Span | % of F.S./K. | ±0,05 |
| Temperature | | |
| Compensated Temp. | °C | -10...+60 |
| Operating Temp. | °C | -20...+70 |



Batarow
Made in Germany

Batarow Sensorik GmbH
Pappelweg 16
18276 Lüssow OT Karow

Mail: info@batarow.com
Phone: +49 (0) 3843-855555
Fax : +49 (0) 3843-218842

Internet:
www.batarow.com

Mounting Situation

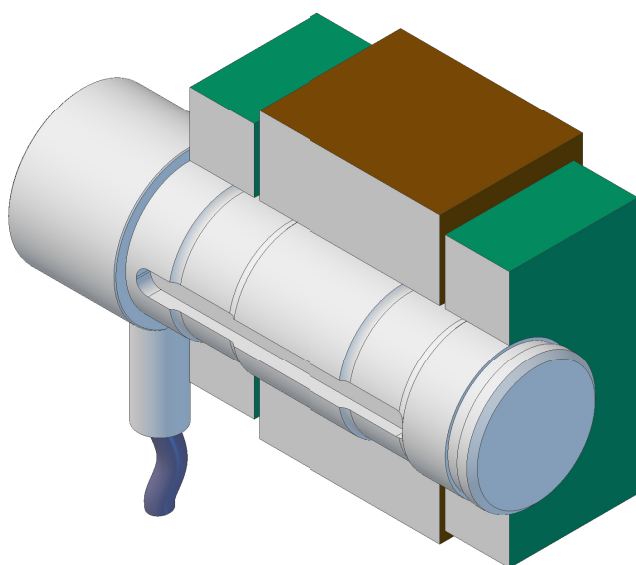
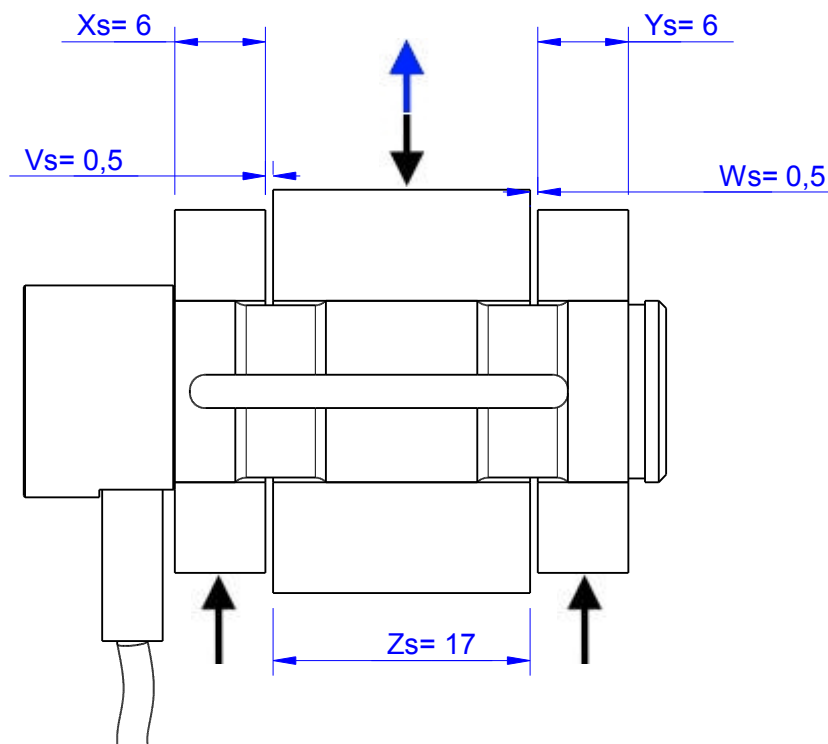
MB1064 Review: A

Bore fit of mounting situation: H7

Configuration

possible mounting situation / customer mounting could vary

(Please describe mounting situation with Vs, Ws, Xs, Ys and Zs for best possible calibration)



Batarow
Made in Germany

Batarow Sensorik GmbH
Pappelweg 16
18276 Lüssow OT Karow

Mail: info@batarow.com
Phone: +49 (0) 3843-855555
Fax : +49 (0) 3843-218842

Internet:
www.batarow.com

Output Signal & Wiring

MB1064 Review: A

Analog Output mV/V (S1)

| Electrical Data | | |
|-----------------------|-----------|----------|
| Rated Output | mV/V@F.S. | 2 |
| Zero Balance | mV/V | ±0,05 |
| Excitation (Maximum) | Volt | 10 |
| Input Resistance | Ohm | 1200±200 |
| Output Resistance | Ohm | 1002±2 |
| Insulating Resistance | GOhm | >5 |

| | | | | |
|------------------|----------------|-------------------|------------|------------|
| Wiringcode: WC50 | | Cabletype: stc31v | | |
| Cable Length | Excitation (+) | Excitation (-) | Bridge (+) | Bridge (-) |
| 3 m | red | black | green | white |

Ordernumber Add-On:
MBxxx-x-S1-x

Batarow
Made in Germany

Batarow Sensorik GmbH
Pappelweg 16
18276 Lüssow OT Karow

Mail: info@batarow.com
Phone: +49 (0) 3843-855555
Fax : +49 (0) 3843-218842

Internet:
www.batarow.com