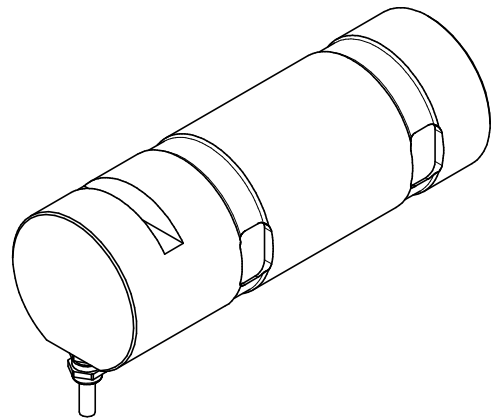
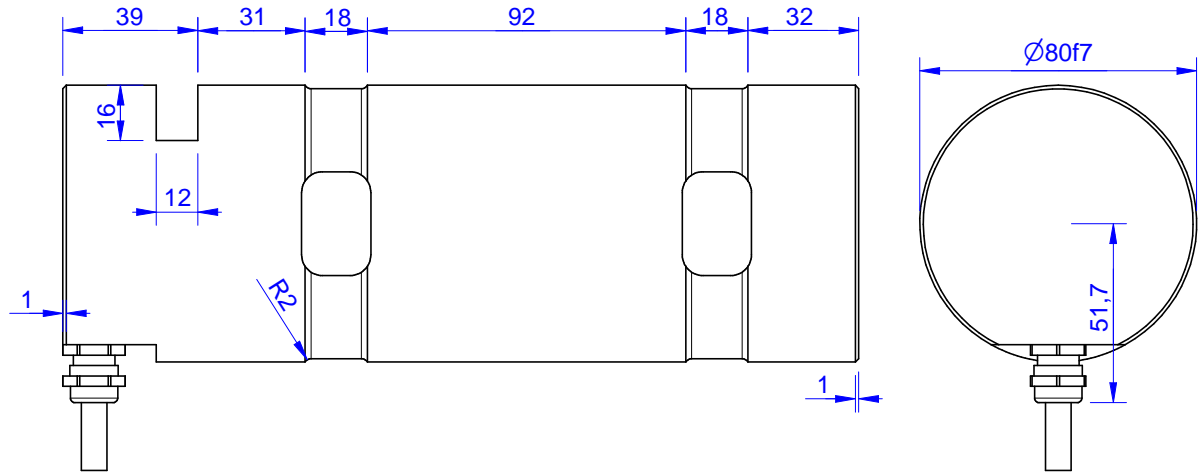


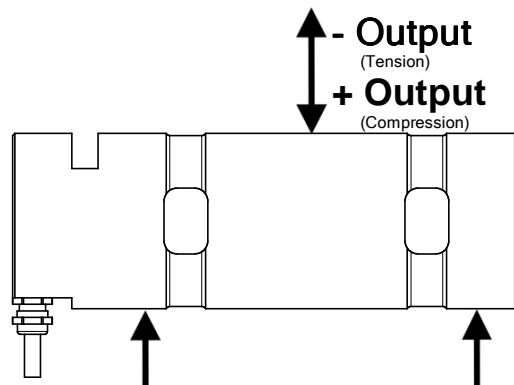
# MBR060

Load Pin



## Specifications: (Customizing on request)

<b>Dimension / Material</b>		
Type of Construction		Stainless Steel
Material		IP 66
Protection class		
<b>Mechanical Data</b>		
Capacity (F.S.)	kN	20;100;400;600
Safe Load Limit	% of F.S.	150
Breaking Load	% of F.S.	300
<b>Electrical Data</b>		
Rated Output	mV/V@F.S.	1
Zero Balance	mV/V	±0,05
Excitation (Maximum)	Volt	10
Input Resistance	Ohm	800±100
Output Resistance	Ohm	702±2
Insulating Resistance	GOhm	>5
<b>Precision</b>		
Precisionclass	%	1
Nonlinearity	% of F.S.	± 0,5
Nonrepeatability	% of F.S.	± 0,25
Hysteresis	% of F.S.	± 0,2
Temp. Shift Zero	% of F.S./K.	±0,05
Temp. Shift Span	% of F.S./K.	±0,05
<b>Temperature</b>		
Compensated Temp.	°C	-10...+60
Operating Temp.	°C	-20...+70



Wiringcode:	WC1	Cabletype:	2x2x0,25 PUR	
Cable Length	5 m	Excitation (+)	Excitation (-)	Bridge (+)
		brown	white	green
				yellow

**Batarow**  
Made in Germany

Batarow Sensorik UG  
(haftungsbeschränkt)  
Karow 17 / 18276 Lüssow

Mail: info@batarow.com  
Phone: +49 (0) 3843-855555  
Fax : +49 (0) 3843-218842

Internet:  
www.batarow.com