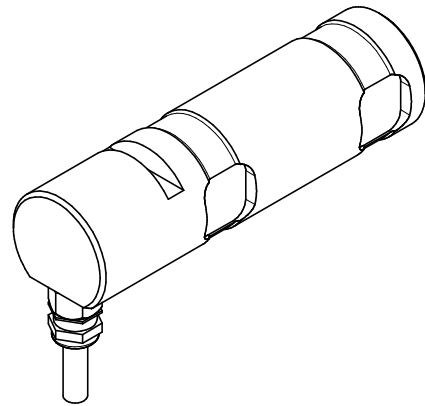
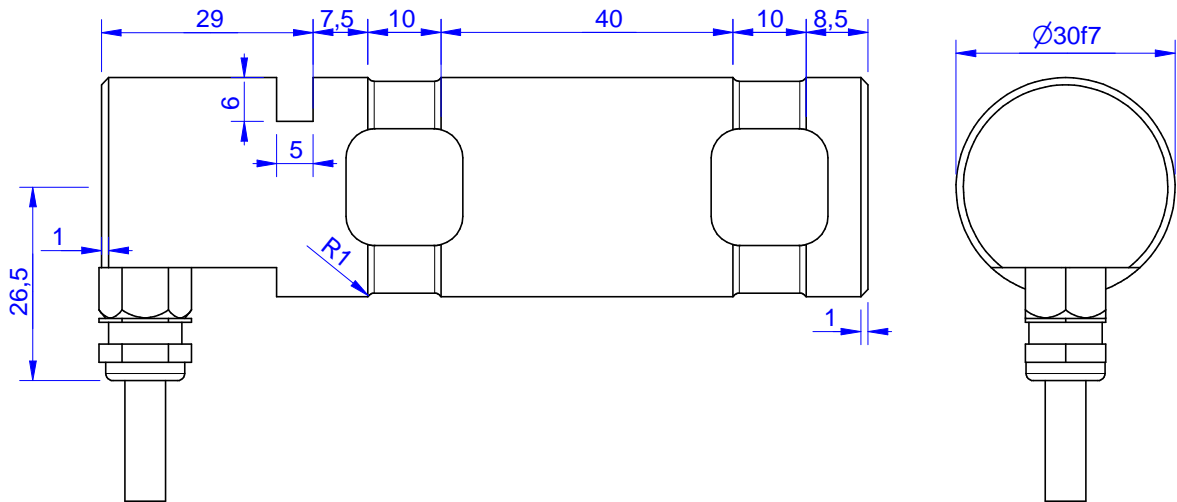


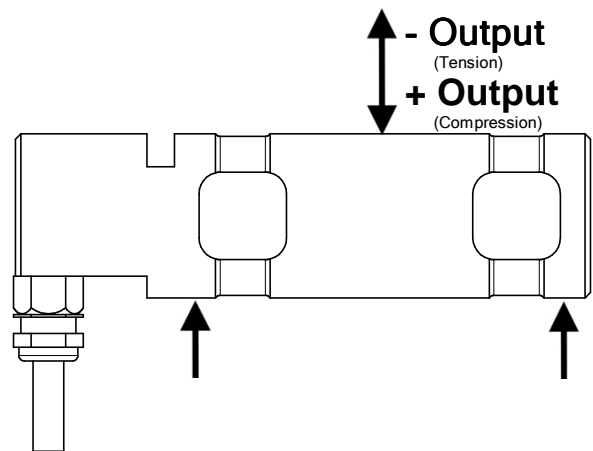
# MBR053

Load Pin



## Specifications: (Customizing on request)

<b>Dimension / Material</b>		
Type of Construction		Stainless Steel
Material		IP 64
Protection class		
<b>Mechanical Data</b>		
Capacity (F.S.)	kN	5, 10, 20, 50, 75
Safe Load Limit	% of F.S.	150
Breaking Load	% of F.S.	300
<b>Electrical Data</b>		
Rated Output	mV/V@F.S.	1
Zero Balance	mV/V	$\pm 0,05$
Excitation (Maximum)	Volt	10
Input Resistance	Ohm	$800 \pm 100$
Output Resistance	Ohm	$702 \pm 2$
Insulating Resistance	GOhm	$> 5$
<b>Precision</b>		
Precisionclass	%	1
Nonlinearity	% of F.S.	$\pm 0,5$
Nonrepeatability	% of F.S.	$\pm 0,25$
Hysteresis	% of F.S.	$\pm 0,2$
Temp. Shift Zero	% of F.S./K.	$\pm 0,05$
Temp. Shift Span	% of F.S./K.	$\pm 0,05$
<b>Temperature</b>		
Compensated Temp.	$^{\circ}\text{C}$	-10...+60
Operating Temp.	$^{\circ}\text{C}$	-20...+70



Wiringcode: WC1	Cabletype: 24-4 PUR			
Cable Length	Excitation (+)	Excitation (-)	Bridge (+)	Bridge (-)
5 m	brown	White	green	yellow

**Batarow**  
Made in Germany

Batarow Sensorik UG  
(haftungsbeschränkt)  
Karow 17 / 18276 Lüssow

Mail: [info@batarow.com](mailto:info@batarow.com)  
Phone: +49 (0) 3843-855555  
Fax : +49 (0) 3843-218842

Internet:  
[www.batarow.com](http://www.batarow.com)