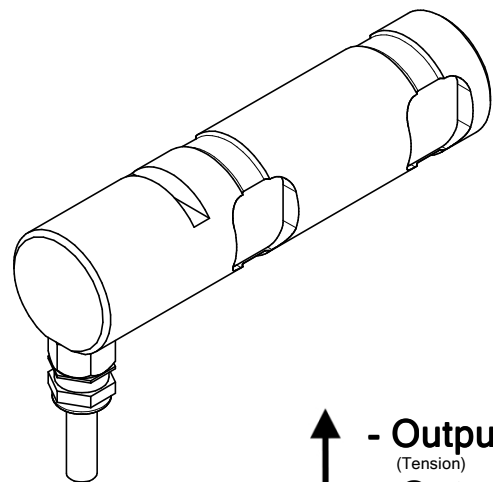
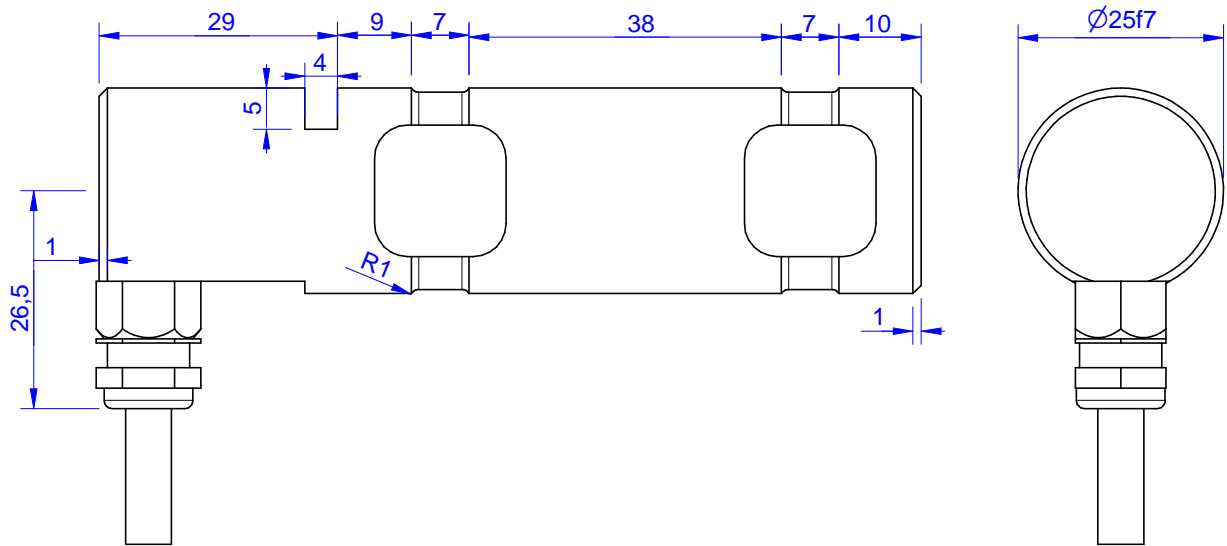


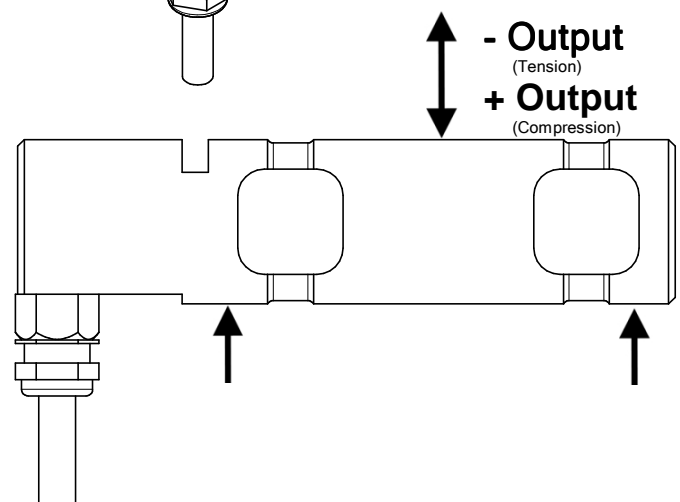
MBR052

Load Pin



Specifications: (Customizing on request)

Dimension / Material		
Type of Construction		Stainless Steel
Material		IP 64
Protection class		
Mechanical Data		
Capacity (F.S.)	kN	5, 10, 20, 50
Safe Load Limit	% of F.S.	150
Breaking Load	% of F.S.	300
Electrical Data		
Rated Output	mV/V@F.S.	1
Zero Balance	mV/V	±0,05
Excitation (Maximum)	Volt	10
Input Resistance	Ohm	800±100
Output Resistance	Ohm	702±2
Insulating Resistance	GOhm	>5
Precision		
Precisionclass	%	1
Nonlinearity	% of F.S.	± 0,5
Nonrepeatability	% of F.S.	± 0,25
Hysteresis	% of F.S.	± 0,2
Temp. Shift Zero	% of F.S./K.	±0,05
Temp. Shift Span	% of F.S./K.	±0,05
Temperature		
Compensated Temp.	°C	-10...+60
Operating Temp.	°C	-20...+70



Wiringcode: WC1	Cabletype: 24-4 PUR			
Cable Length	Excitation (+)	Excitation (-)	Bridge (+)	Bridge (-)
5 m	brown	White	green	yellow

Batarow
Made in Germany

Batarow Sensorik UG
(haftungsbeschränkt)
Karow 17 / 18276 Lüssow

Mail: info@batarow.com
Phone: +49 (0) 3843-855555
Fax : +49 (0) 3843-218842

Internet:
www.batarow.com