

# MB979

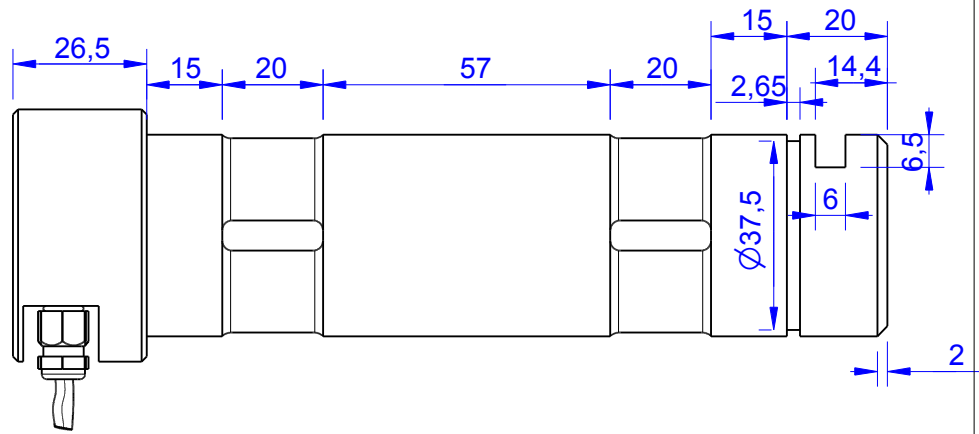
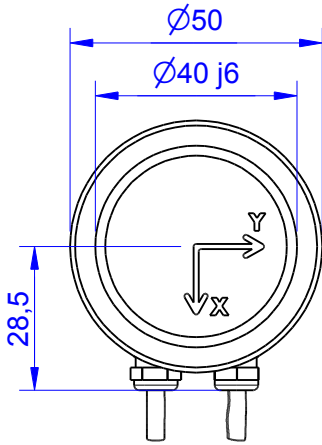
Load Pin

## Content of Loadpin Datasheet

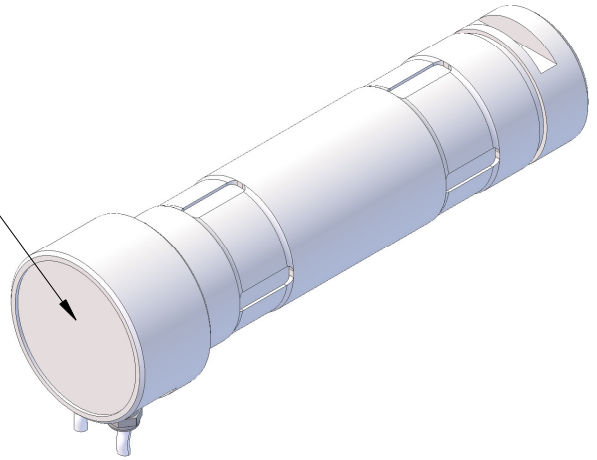
Page 1 ... General

Page 2 ... Mounting Situation

Page 3 ... Output Signal & Wiring



Marking:  
 Loadpin: MBx  
 Orderno.: MBx-xxx-x-x  
 Serialno.: xxxxxxxx  
 www.batarow.com  
 Made in Germany

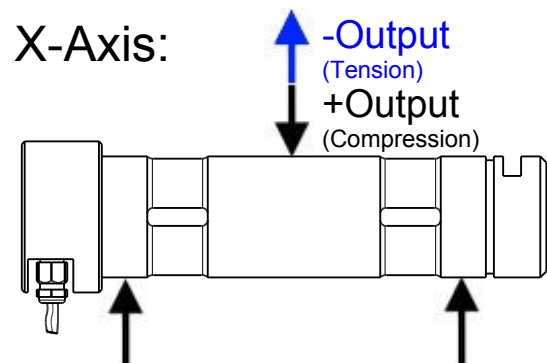
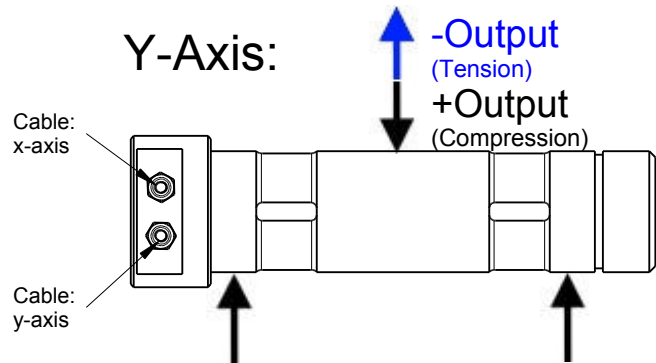


| Order-number   | Capacity (F.S.) | Uncertainty (k=2) | Review |
|----------------|-----------------|-------------------|--------|
| MB979-10-x-B   | 10 kN           | ±0,05kN           | B      |
| MB979-20-x-B   | 20 kN           | ±0,10 kN          | B      |
| MB979-50-x-B   | 50 kN           | ±0,20 kN          | B      |
| MB979-100-x-B  | 100 kN          | ±0,50 kN          | B      |
| MB979-150-x-B* | 150 kN          | ±0,75kN           | B      |

\* above showed version  
 The fixed dimensions don't change at the other capacity.

## Specifications:

| Dimension / Material   |              |                 |
|------------------------|--------------|-----------------|
| Material               |              | Stainless Steel |
| Protection class       |              | IP 66           |
| Hardness (load area)   | HRC          | 38              |
| <b>Mechanical Data</b> |              |                 |
| Safe Load Limit        | % of F.S.    | 120             |
| Breaking Load          | % of F.S.    | 200             |
| <b>Precision</b>       |              |                 |
| Nonlinearity           | % of F.S.    | ±0,5            |
| Nonrepeatability       | % of F.S.    | ±0,25           |
| Hysteresis             | % of F.S.    | ±0,2            |
| Temp. Shift Zero       | % of F.S./K. | ±0,05           |
| Temp. Shift Span       | % of F.S./K. | ±0,05           |
| <b>Temperature</b>     |              |                 |
| Compensated Temp.      | °C           | -10...+60       |
| Operating Temp.        | °C           | -20...+70       |



**Batarow**  
 Made in Germany

Batarow Sensorik GmbH  
 Pappelweg 16  
 18276 Lüssow OT Karow

Mail: info@batarow.com  
 Phone: +49 (0) 3843-855555  
 Fax : +49 (0) 3843-218842

Internet:  
 www.batarow.com

# Mounting Situation

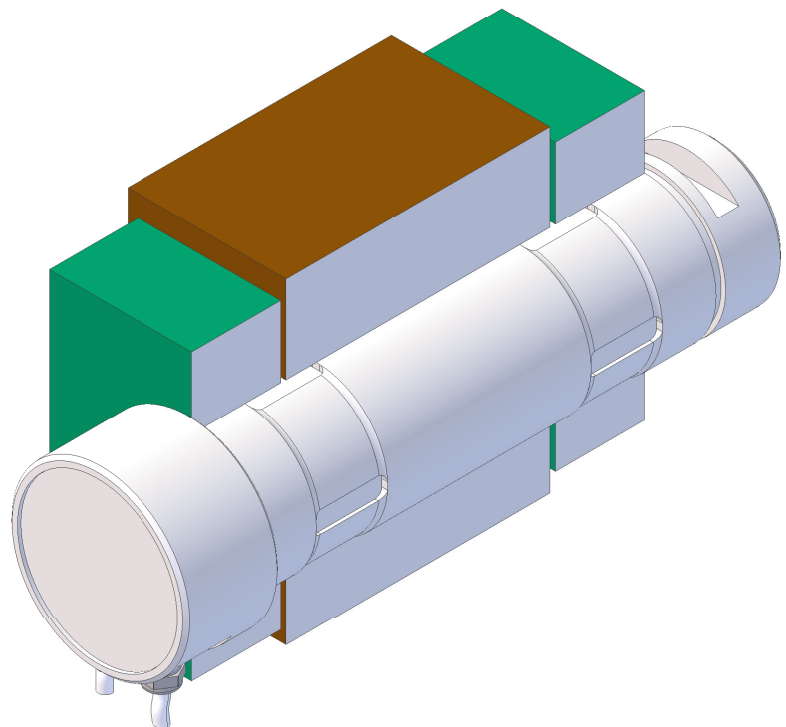
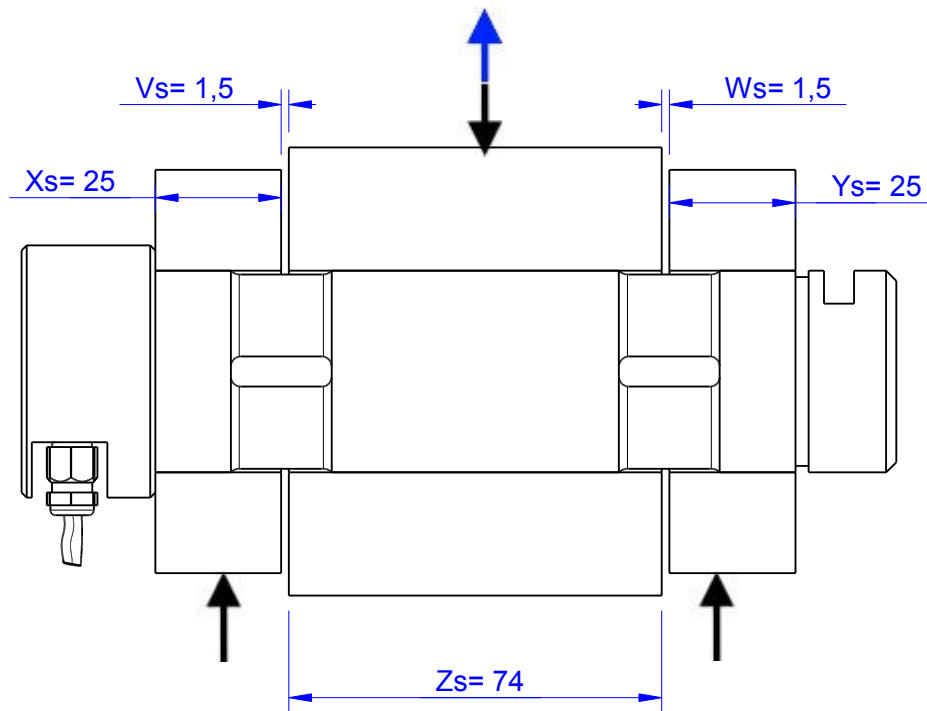
MB979 Review: B

Bore fit of mounting situation: H7

## Configuration

possible mounting situation / customer mounting could vary

(Please describe mounting situation with Vs, Ws, Xs, Ys and Zs for best possible calibration)



**Batarow**  
Made in Germany

Batarow Sensorik GmbH  
Pappelweg 16  
18276 Lüssow OT Karow

Mail: [info@batarow.com](mailto:info@batarow.com)  
Phone: +49 (0) 3843-85555  
Fax : +49 (0) 3843-218842

Internet:  
[www.batarow.com](http://www.batarow.com)

# Output Signal & Wiring

MB979 Review: B

## Analog Output mV/V (S1)

| Electrical Data       |           |         |
|-----------------------|-----------|---------|
| Rated Output          | mV/V@F.S. | 1       |
| Zero Balance          | mV/V      | ±0,05   |
| Exitation (Maximum)   | Volt      | 10      |
| Input Resistance      | Ohm       | 450±100 |
| Output Resistance     | Ohm       | 352±2   |
| Insulating Resistance | GOhm      | >5      |

|                  |               |                   |            |            |
|------------------|---------------|-------------------|------------|------------|
| Wiringcode: WC50 |               | Cabletype: stc31v |            |            |
| Cable Length     | Exitation (+) | Exitation (-)     | Bridge (+) | Bridge (-) |
| 3 m              | red           | black             | green      | white      |

Ordernumber Add-On:  
MBxxx-x-S1-x

## Analog Output 1V..10V (U4)

| Electrical Data U4  |     |            |
|---------------------|-----|------------|
| Output @ -F.S.      | V   | 1±0,2      |
| Output @ 0kN        | V   | 5±0,2      |
| Output @ +F.S.      | V   | 9±0,2      |
| Supply Voltage      | V   | 24±2       |
| Current Consumption | mA  | 25 (@ 24V) |
| Bandwidth           | kHz | 2,2±0,2    |

|                    |            |        |        |
|--------------------|------------|--------|--------|
| Wiringcode:WC23    |            |        |        |
| Cabeling: 5 m 24-4 |            |        |        |
| Supply(+)          | Ground (-) | Output | n.c.   |
| brown              | white      | green  | yellow |

Ordernumber Add-On:  
MBxxx-x-U4-x

## Analog Output 4..20mA (I4)

| Electrical Data I4  |     |            |
|---------------------|-----|------------|
| Output @ -F.S.      | mA  | 4±0,3      |
| Output @ 0kN        | mA  | 12±0,3     |
| Output @ +F.S.      | mA  | 20±0,3     |
| Supply Voltage      | V   | 12±1       |
| Current Consumption | mA  | 45 (@ 12V) |
| Bandwidth           | kHz | 2,2±0,2    |

|                    |            |        |        |
|--------------------|------------|--------|--------|
| Wiringcode:WC23    |            |        |        |
| Cabeling: 5 m 24-4 |            |        |        |
| Supply(+)          | Ground (-) | Output | n.c.   |
| brown              | white      | green  | yellow |

Ordernumber Add-On:  
MBxxx-x-I4-x

## Analog & Switch Output 0V..10V (U42)

| Electrical Data U42 |     |            |
|---------------------|-----|------------|
| Output @ 0kN        | V   | 0±0,2      |
| Output @ ±F.S.      | V   | ±10±0,2    |
| Supply Voltage      | V   | 24±2       |
| Current Consumption | mA  | 25 (@ 24V) |
| Bandwidth           | kHz | 2,2±0,2    |

|                    |            |        |        |
|--------------------|------------|--------|--------|
| Wiringcode:WC25    |            |        |        |
| Cabeling: 5 m 24-4 |            |        |        |
| Supply(+)          | Ground (-) | Output | Tare   |
| brown              | white      | green  | yellow |

Ordernumber Add-On:  
MBxxx-x-U42-x

## Analog & Switch Output 4..20mA (I42)

| Electrical Data I42 |     |            |
|---------------------|-----|------------|
| Output @ -F.S.      | mA  | 4±0,3      |
| Output @ 0kN        | mA  | 12±0,3     |
| Output @ +F.S.      | mA  | 20±0,3     |
| Supply Voltage      | V   | 24±2       |
| Current Consumption | mA  | 45 (@ 24V) |
| Bandwidth           | kHz | 2,5±0,2    |

|                    |            |        |        |
|--------------------|------------|--------|--------|
| Wiringcode:WC25    |            |        |        |
| Cabeling: 5 m 24-4 |            |        |        |
| Supply(+)          | Ground (-) | Output | Tare   |
| brown              | white      | green  | yellow |

Ordernumber Add-On:  
MBxxx-x-I42-x

**Batarow**  
Made in Germany

Batarow Sensorik GmbH  
Pappelweg 16  
18276 Lüssow OT Karow

Mail: info@batarow.com  
Phone: +49 (0) 3843-855555  
Fax : +49 (0) 3843-218842

**Internet:**  
www.batarow.com