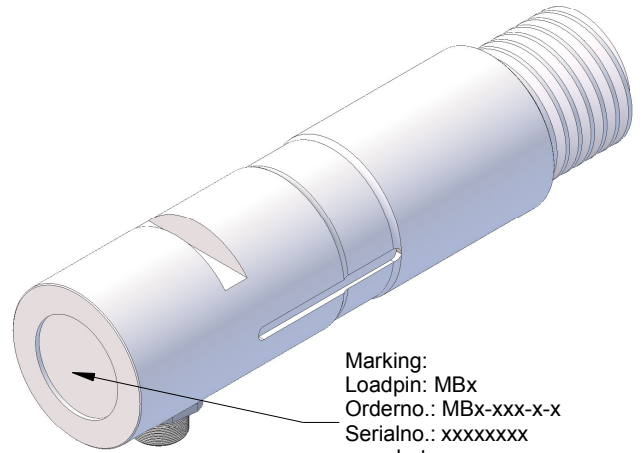
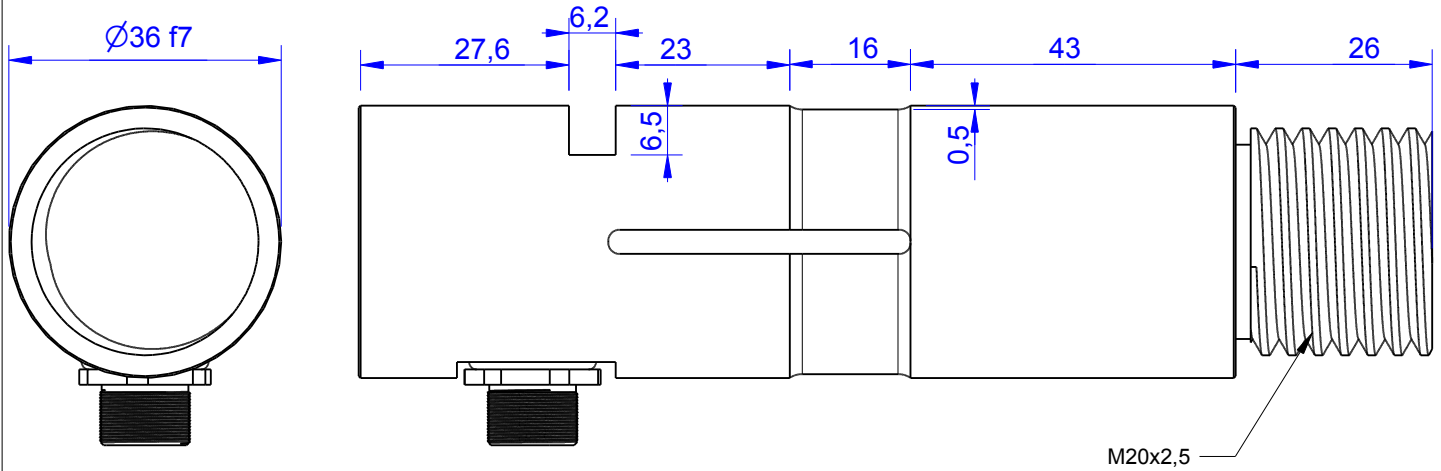


# MB912

Single side Load Pin



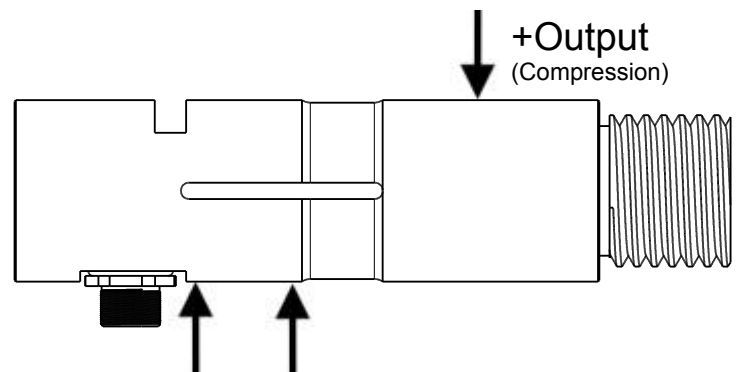
Marking:  
 Loadpin: MBx  
 Orderno.: MBx-xxx-x-x  
 Serialno.: xxxxxxxx  
 www.batarow.com  
 Made in Germany

Order-number	Capacity (F.S.)	Uncertainty (k=2)	Review
MB912-2-x-A	2 kN	±0,010kN	A
MB912-5-x-A	5 kN	±0,025 kN	A
MB912-10-x-A	10 kN	±0,050 kN	A
MB912-20-x-A	20 kN	±0,100 kN	A
MB912-120-x-A*	120 kN	±0,300 kN	A

\* above showed version  
 The fixed dimensions don't change at the other capacity.

## Specifications:

Dimension / Material		
Material		Tool Steel
Protection class		IP 66
Hardness (load area)	HRC	58
<b>Mechanical Data</b>		
Safe Load Limit	% of F.S.	100
Breaking Load	% of F.S.	150
<b>Precision</b>		
Nonlinearity	% of F.S.	±0,5
Nonrepeatability	% of F.S.	±0,25
Hysteresis	% of F.S.	±0,2
Temp. Shift Zero	% of F.S./K.	±0,05
Temp. Shift Span	% of F.S./K.	±0,05
<b>Temperature</b>		
Compensated Temp.	°C	-10...+60
Operating Temp.	°C	-20...+70



**Batarow**  
 Made in Germany

Batarow Sensorik GmbH  
 Pappelweg 16  
 18276 Lüssow OT Karow

Mail: info@batarow.com  
 Phone: +49 (0) 3843-855555  
 Fax : +49 (0) 3843-218842

**Internet:**  
 www.batarow.com

# Mounting Situation

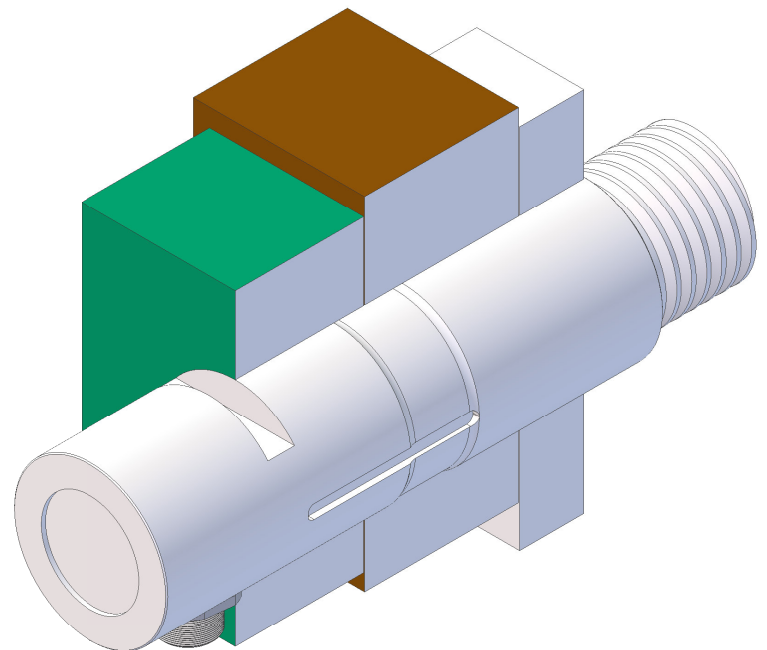
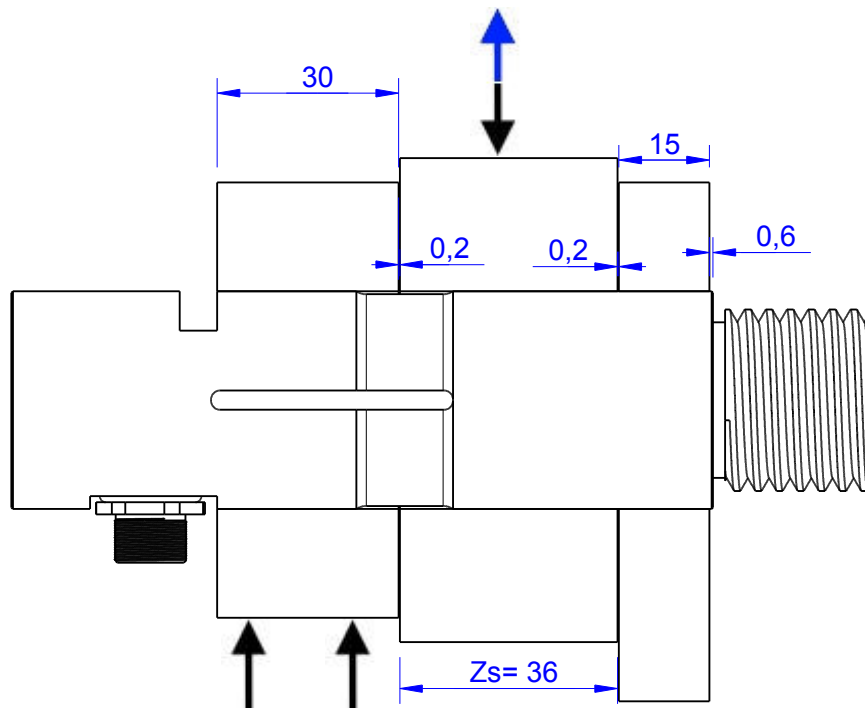
MB912 Review: A

Bore fit of mounting situation: H7

## Configuration

possible mounting situation / customer mounting could vary

(Please describe mounting situation with Vs, Ws, Xs, Ys and Zs for best possible calibration)



**Batarow**  
Made in Germany

Batarow Sensorik GmbH  
Pappelweg 16  
18276 Lüssow OT Karow

Mail: [info@batarow.com](mailto:info@batarow.com)  
Phone: +49 (0) 3843-855555  
Fax : +49 (0) 3843-218842

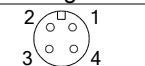
Internet:  
[www.batarow.com](http://www.batarow.com)

# Output Signal & Wiring

MB912 Review: A

## Analog Output mV/V (S1)

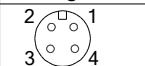
Electrical Data		
Rated Output	mV/V@F.S.	1
Zero Balance	mV/V	±0,05
Excitation (Maximum)	Volt	10
Input Resistance	Ohm	450±100
Output Resistance	Ohm	352±2
Insulating Resistance	GOhm	>5

Wiringcode: WC58		Connectortype: M12 (male)		
	Excitation (+)	Excitation (-)	Bridge (+)	Bridge (-)
	Pin 1	Pin 2	Pin 3	Pin 4

Ordernumber Add-On:  
MBxxx-x-S1-x

## Analog Output 1V..8V (U8)\*

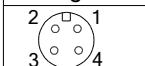
Electrical Data U8		
Output @ -F.S.	V	1,0±0,1
Output @ 0kN	V	4,5±0,1
Output @ +F.S.	V	8±0,1
Supply Voltage	V	12±1
Current Consumption	mA	25
Bandwidth	kHz	2,2±0,2

Wiringcode: WC36		Connectortype: M12 (male)	
	Supply (+)	GND	Output
	Pin 1	Pin 3	Pin 4

Ordernumber Add-On:  
MBxxx-x-U8-x

## Analog Output 4..20mA (I4)\*

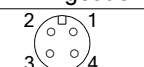
Electrical Data I4		
Output @ -F.S.	mA	4±0,3
Output @ 0kN	mA	12±0,3
Output @ +F.S.	mA	20±0,3
Supply Voltage	V	12±1
Current Consumption	mA	45 (@ 12V)
Bandwidth	kHz	2,2±0,2

Wiringcode: WC36		Connectortype: M12 (male)	
	Supply (+)	GND	Output
	Pin 1	Pin 3	Pin 4

Ordernumber Add-On:  
MBxxx-x-I4-x

## Analog Output 4..20mA (I1)\*

Electrical Data I1		
Output @ 0kN	mA	4±0,5
Output @ F.S.	mA	20±0,5
Supply Voltage	V	24±2
Current Consumption	mA	45 (@ 24V)
Bandwidth	kHz	2,2±0,2

Wiringcode: WC36		Connectortype: M12 (male)	
	Supply (+)	GND	Output
	Pin 1	Pin 3	Pin 4

Ordernumber Add-On:  
MBxxx-x-I1-x

Attention: Nipple orientation of connector is not fixed. In case of 90° connector - it is necessary to set by customer.

\*Attention: With this output configuration is no negative signal (Tension) possible. Please ask our engineering for 4..12..20mA; 1..5..9V or ±10V versions.

**Batarow**  
Made in Germany

Batarow Sensorik GmbH  
Pappelweg 16  
18276 Lüssow OT Karow

Mail: info@batarow.com  
Phone: +49 (0) 3843-855555  
Fax : +49 (0) 3843-218842

**Internet:**  
www.batarow.com