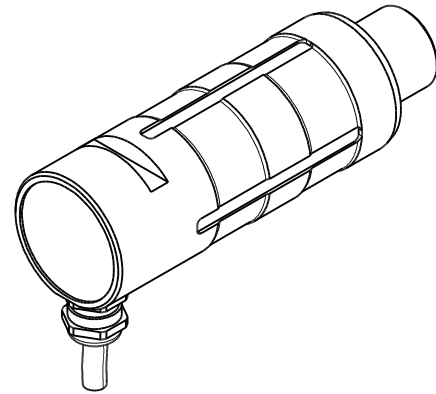
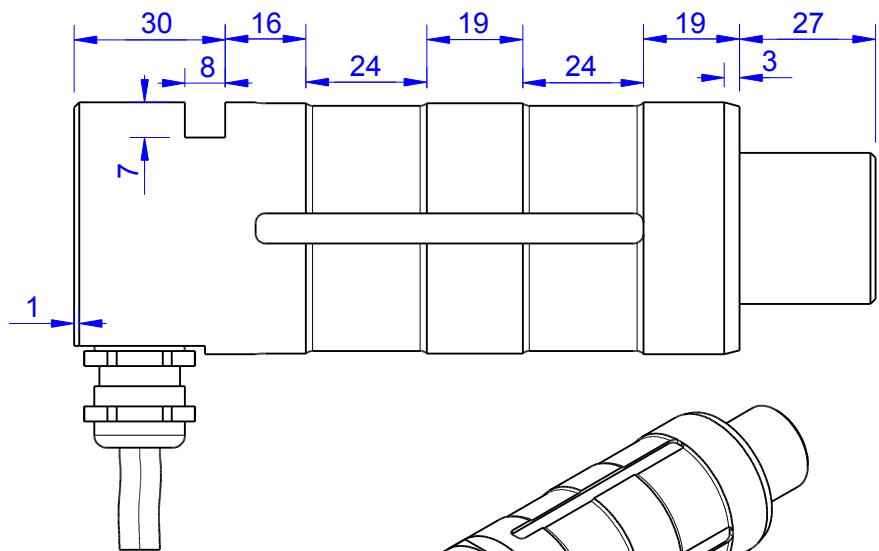
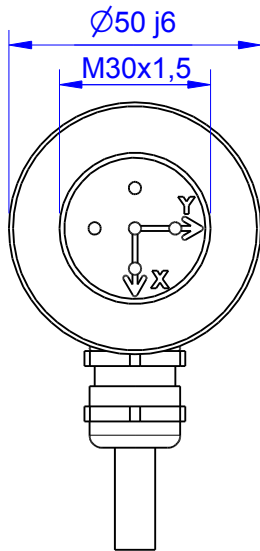


MB908

2 axis Load Pin

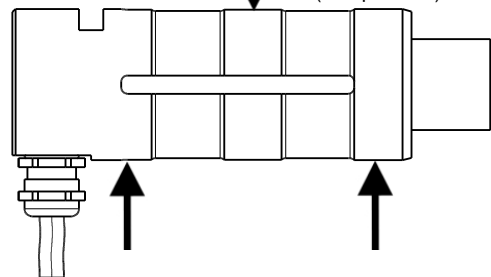


Order no.	Capacity (F.S.)	Review
MB908-50-B	50 kN	B
MB908-150-B*	150 kN	B

* above showed version
The fixed dimensions don't change at the other capacity.

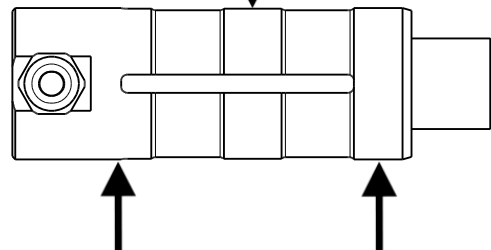
X-Axis:

↑ - Output (Tension)
↓ + Output (Compression)



Y-Axis:

↑ - Output (Tension)
↓ + Output (Compression)



Specifications: (Customizing on request)

Dimension / Material		
Material		Stainless Steel
Protection class		IP 66
Mechanical Data		
Safe Load Limit	% of F.S.	150
Breaking Load	% of F.S.	300
Electrical Data		
Rated Output	mV/V@F.S.	1
Zero Balance	mV/V	±0,05
Excitation (Maximum)	Volt	10
Input Resistance	Ohm	400±50
Output Resistance	Ohm	352±2
Insulating Resistance	GOhm	>5
Precision		
Precisionclass	%	2
Nonlinearity	% of F.S.	± 0,5
Nonrepeatability	% of F.S.	± 0,25
Hysteresis	% of F.S.	± 0,2
Temp. Shift Zero	% of F.S./K.	±0,05
Temp. Shift Span	% of F.S./K.	±0,05
Temperature		
Compensated Temp.	°C	-10...+60
Operating Temp.	°C	-20...+70

Wiringcode: WC59			
Cabeling: 10m 4x2x025 PUR			
+Us (Fx)	brown	+Us (Fy)	pink
-Us (Fx)	white	-Us (Fy)	grey
+Ud (Fx)	green	+Ud (Fy)	blue
-Ud (Fx)	yellow	-Ud (Fy)	red

Batarow
Made in Germany

Batarow Sensorik GmbH
Karow 17
18276 Lüssow

Mail: info@batarow.com
Phone: +49 (0) 3843-855555
Fax : +49 (0) 3843-218842

Internet:
www.batarow.com

Mounting Situation

MB908 Review: B

Configuration 1 (Standard)

possible Mounting Situation / Customer Mounting could vary

(Please describe Mounting situation with Vs,Ws,Xs,Ys and Zs for best possible calibration)

