

# MB870

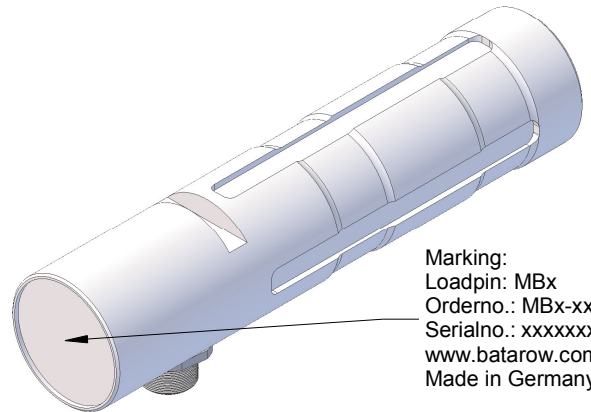
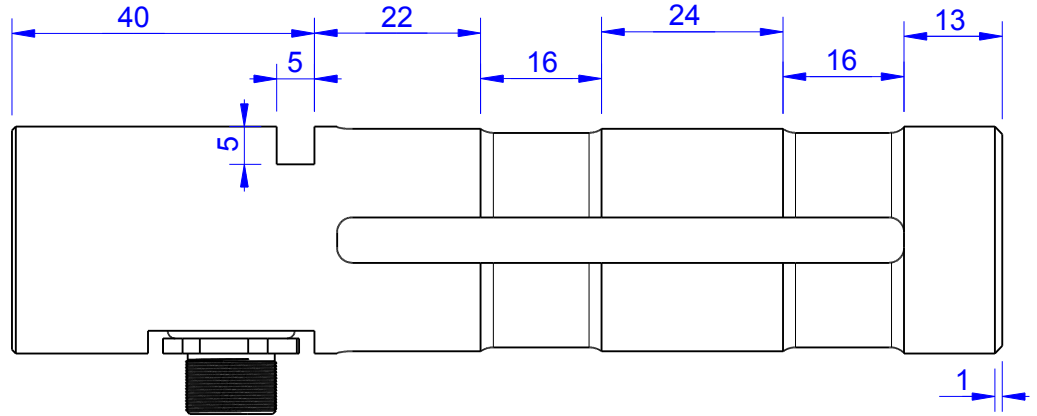
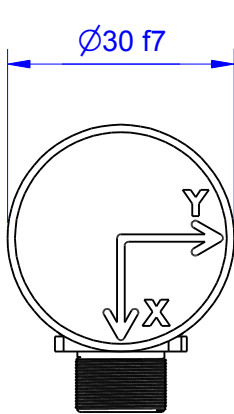
Load Pin

## Content of Loadpin Datasheet

Page 1 ... General

Page 2 ... Mounting Situation

Page 3 ... Output Signal & Wiring



Marking:  
Loadpin: MBx  
Orderno.: MBx-xxx-x-x  
Serialno.: xxxxxxxx  
www.batarow.com  
Made in Germany

Order-number	Capacity (F.S.)	Uncertainty (k=2)	Review
MB870-5-x-D	5 kN	±0,025kN	D
MB870-10-x-D	10 kN	±0,05 kN	D
MB870-25-x-D	15 kN	±0,13 kN	D
MB870-50-x-D	50 kN	±0,25 kN	D
MB870-100-x-D*	100 kN	±0,50 kN	D

\* above showed version

The fixed dimensions don't change at the other capacity.

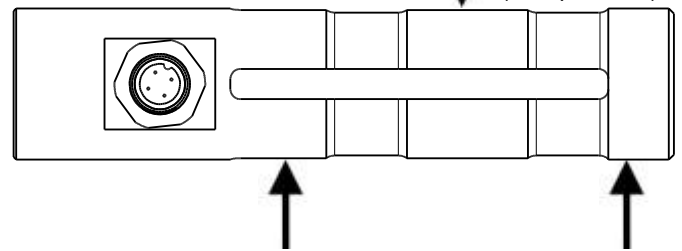
Attention:

Additionally to the Uncertainty of the single axis, there is a crosstalk between X and Y-Axis. This could be up to 3% of F.S.

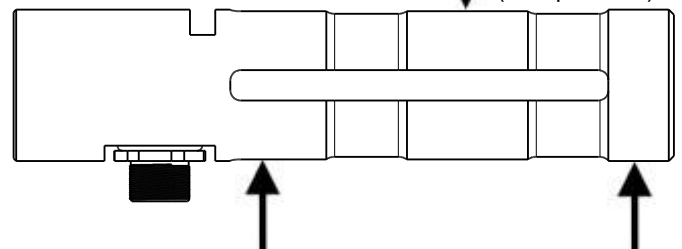
## Specifications:

Dimension / Material		
Material		Stainless Steel
Protection class		IP 66
Hardness (load area)	HRC	38
<b>Mechanical Data</b>		
Safe Load Limit	% of F.S.	150
Breaking Load	% of F.S.	300
<b>Precision</b>		
Nonlinearity	% of F.S.	±0,5
Nonrepeatability	% of F.S.	±0,25
Hysteresis	% of F.S.	±0,2
Temp. Shift Zero	% of F.S./K.	±0,05
Temp. Shift Span	% of F.S./K.	±0,05
<b>Temperature</b>		
Compensated Temp.	°C	-10...+60
Operating Temp.	°C	-20...+70

Y-Axis:



X-Axis:



**Batarow**  
Made in Germany

Batarow Sensorik GmbH  
Pappelweg 16  
18276 Lüssow OT Karow

Mail: info@batarow.com  
Phone: +49 (0) 3843-855555  
Fax : +49 (0) 3843-218842

Internet:  
www.batarow.com

# Mounting Situation

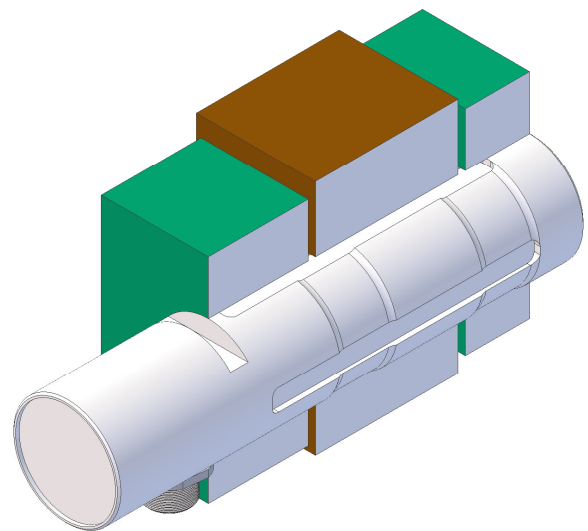
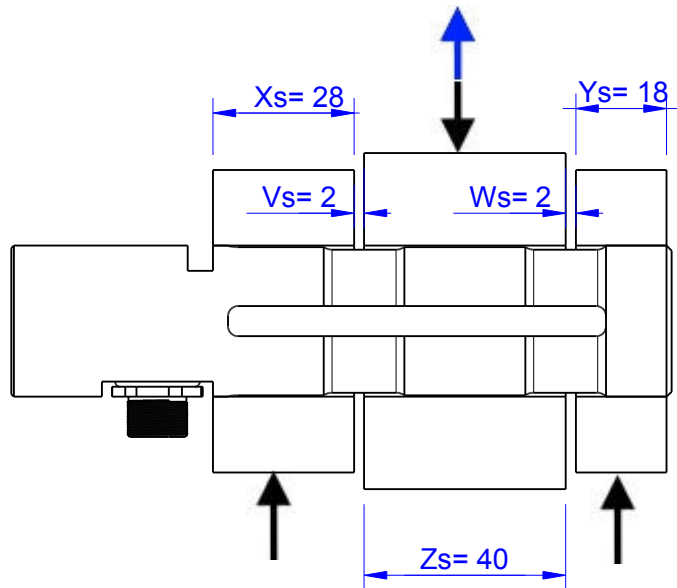
MB870 Review: D

Bore fit of mounting situation: H7

## Configuration

possible mounting situation / customer mounting could vary

(Please describe mounting situation with Vs, Ws, Xs, Ys and Zs for best possible calibration)



**Batarow**  
Made in Germany

Batarow Sensorik GmbH  
Pappelweg 16  
18276 Lüssow OT Karow

Mail: [info@batarow.com](mailto:info@batarow.com)  
Phone: +49 (0) 3843-855555  
Fax : +49 (0) 3843-218842

Internet:  
[www.batarow.com](http://www.batarow.com)


# Output Signal & Wiring

MB870 Review: D

## Analog Output mV/V (S1)

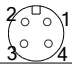
Electrical Data		
Rated Output	mV/V@F.S.	1
Zero Balance	mV/V	±0,05
Excitation (Maximum)	Volt	10
Input Resistance	Ohm	450±100
Output Resistance	Ohm	352±2
Insulating Resistance	GOhm	>5

Ordernumber Add-On:  
MBxxx-x-S1-x

Wiringcode: WC56			
Cabeling: M12 Male Socket / Flanschdose (male)			
+Us (Fx)	Pin 2 / brown	+Us (Fy)	Pin 6 / pink
-Us (Fx)	Pin 1 / white	-Us (Fy)	Pin 5 / grey
+Ud (Fx)	Pin 3 / green	+Ud (Fy)	Pin 7 / blue
-Ud (Fx)	Pin 4 / yellow	-Ud (Fy)	Pin 8 / red

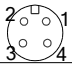
Electrical Data U4		
Output @ -F.S.	V	1±0,2
Output @ 0kN	V	5±0,2
Output @ +F.S.	V	9±0,2
Supply Voltage	V	24±2
Current Consumption	mA	25 (@ 24V)
Bandwidth	kHz	2,2±0,2

Ordernumber Add-On:  
MBxxx-x-U4-x

Wiringcode: WC48		Connectortype: M12 (male)		
	Supply (+) Pin 1	GND Pin 3	Output X Pin 4	Output Y Pin 2

Electrical Data I2		
Output @ -F.S.	mA	4±0,3
Output @ 0kN	mA	12±0,3
Output @ +F.S.	mA	20±0,3
Supply Voltage	V	24±2
Current Consumption	mA	45 (@ 24V)
Bandwidth	kHz	2,2±0,2

Ordernumber Add-On:  
MBxxx-x-I2-x

Wiringcode: WC48		Connectortype: M12 (male)		
	Supply (+) Pin 1	GND Pin 3	Output X Pin 4	Output Y Pin 2

Attention: Nipple orientation of connector is not fixed. In case of 90° connector - it is necessary to set by customer.

\*Attention: With this output configuration is no negative signal (Tension) possible. Please ask our engineering for 4..12..20mA; 1..5..9V or ±10V versions.

**Batarow**  
Made in Germany

Batarow Sensorik GmbH  
Pappelweg 16  
18276 Lüssow OT Karow

Mail: info@batarow.com  
Phone: +49 (0) 3843-855555  
Fax : +49 (0) 3843-218842

**Internet:**  
www.batarow.com