

MB855

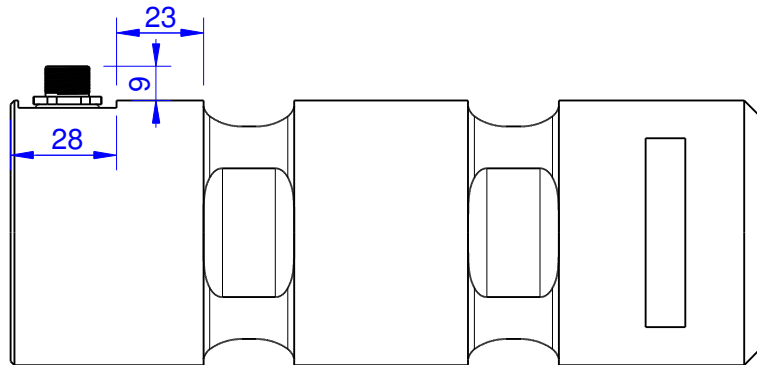
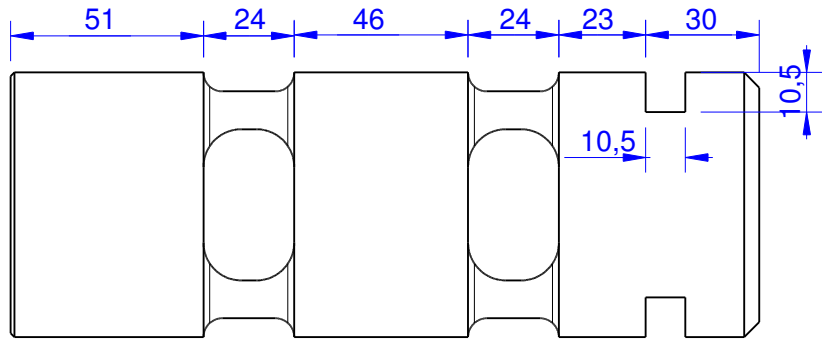
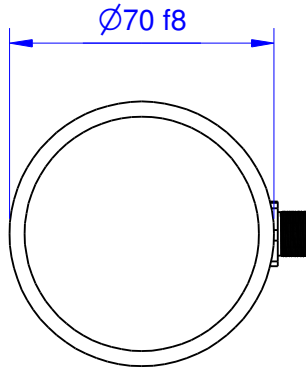
Load Pin

Content of Loadpin Datasheet

Page 1 ... General

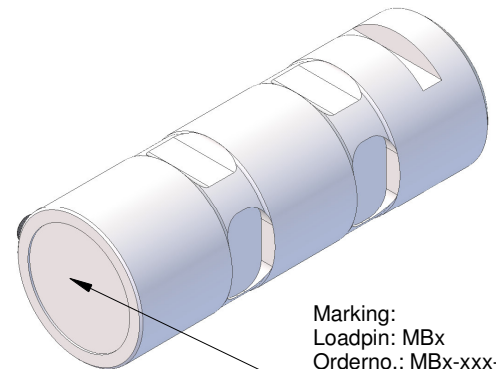
Page 2 ... Mounting Situation

Page 3 ... Output Signal & Wiring



Order-number	Capacity (F.S.)	Uncertainty (k=2)	Review
MB855-20-x-A	20 kN	±0,10kN	A
MB855-50-x-A	50 kN	±0,25 kN	A
MB855-100-x-A	100 kN	±0,50 kN	A
MB855-200-x-A	200 kN	±1,00 kN	A
MB855-320-x-A*	320 kN	±1,60kN	A

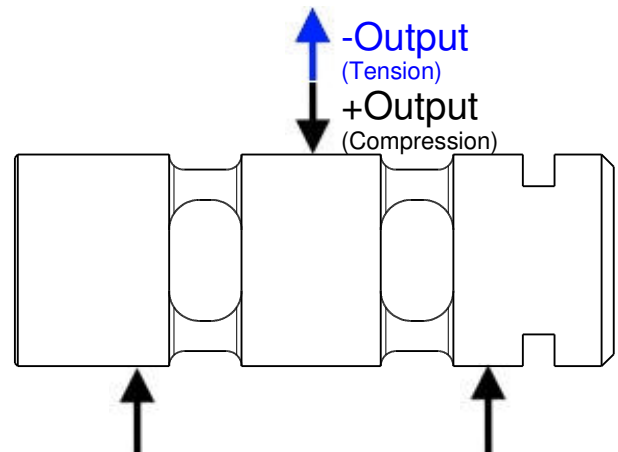
* above showed version
The fixed dimensions don't change at the other capacity.



Marking:
Loadpin: MBx
Orderno.: MBx-xxx-x-x
Serialno.: xxxxxxxx
www.batarow.com
Made in Germany

Specifications:

Dimension / Material		
Material		Steel
Protection class		IP 66
Hardness (load area)	HRC	38
Mechanical Data		
Safe Load Limit	% of F.S.	150
Breaking Load	% of F.S.	300
Precision		
Nonlinearity	% of F.S.	±0,5
Nonrepeatability	% of F.S.	±0,25
Hysteresis	% of F.S.	±0,2
Temp. Shift Zero	% of F.S./K.	±0,05
Temp. Shift Span	% of F.S./K.	±0,05
Temperature		
Compensated Temp.	°C	-10...+60
Operating Temp.	°C	-20...+70



Batarow
Made in Germany

Batarow Sensorik GmbH
Pappelweg 16
18276 Lüssow OT Karow

Mail: info@batarow.com
Phone: +49 (0) 3843-855555
Fax : +49 (0) 3843-218842

Internet:
www.batarow.com

Mounting Situation

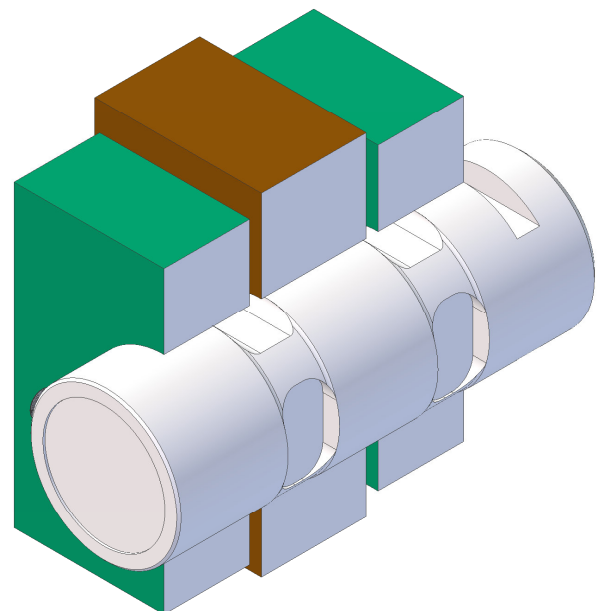
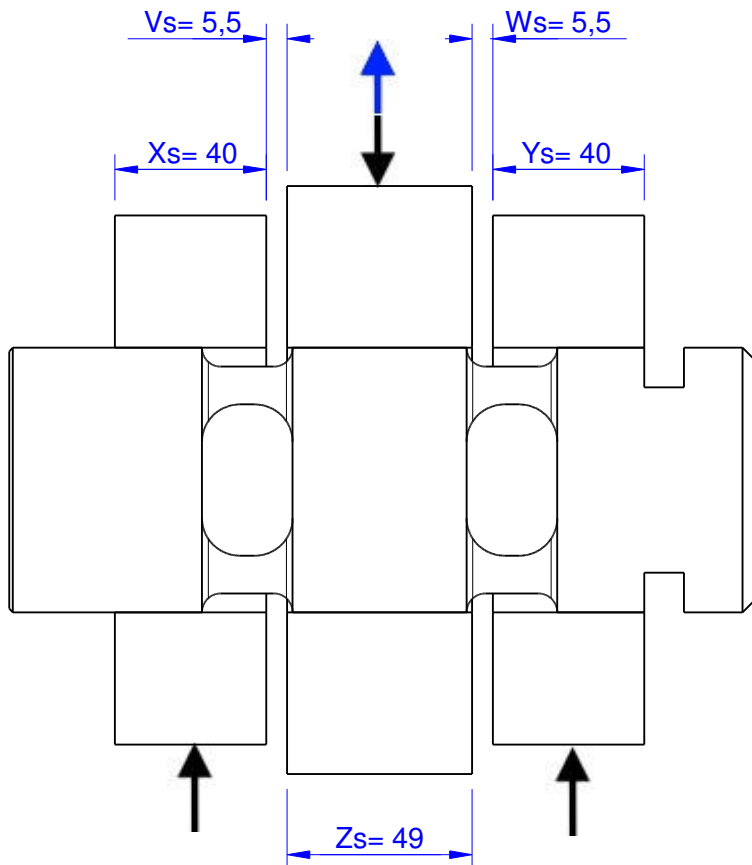
MB855 Review: A

Bore fit of mounting situation: H7

Configuration

possible mounting situation / customer mounting could vary

(Please describe mounting situation with Vs, Ws, Xs, Ys and Zs for best possible calibration)



Batarow
Made in Germany

Batarow Sensorik GmbH
Pappelweg 16
18276 Lüssow OT Karow

Mail: info@batarow.com
Phone: +49 (0) 3843-855555
Fax : +49 (0) 3843-218842


Internet:
www.batarow.com

Output Signal & Wiring

MB855 Review: A

Redundant Analog Output 4..20mA (I20)*

Electrical Data I20		
Output @ 0kN	mA	4±0,05
Output @ F.S.	mA	20±0,05
Supply Voltage	V	24±5
Current Consumption	mA	90 (@ 24V)
Bandwidth	kHz	0,1

Wiringcode: WC45			
Integrated Amplifier: GSV-15			
Cabeling: M12 Male Socket / Flanschstecker (male)			
Supply(+)	Pin 1		
Ground(-) 1	Pin 3	Ground(-) 2	Pin 6
Output 1	Pin 4	Output 2	Pin 7
Tare	Pin 2	Scale	Pin 5

Ordernumber Add-On:
MBxxx-x-I20-x

Mean Time To Dangerous Failure

MttFd	years	142
-------	-------	-----

Attention: Nipple orientation of connector is not fixed. In case of 90° connector - it is necessary to set by customer.

*Attention: With this output configuration is no negative signal (Tension) possible. Please ask our engineering for 4..12..20mA; 1..5..9V or ±10V versions.

Batarow
Made in Germany

Batarow Sensorik GmbH
Pappelweg 16
18276 Lüssow OT Karow

Mail: info@batarow.com
Phone: +49 (0) 3843-855555
Fax : +49 (0) 3843-218842

Internet:
www.batarow.com