

# MB791

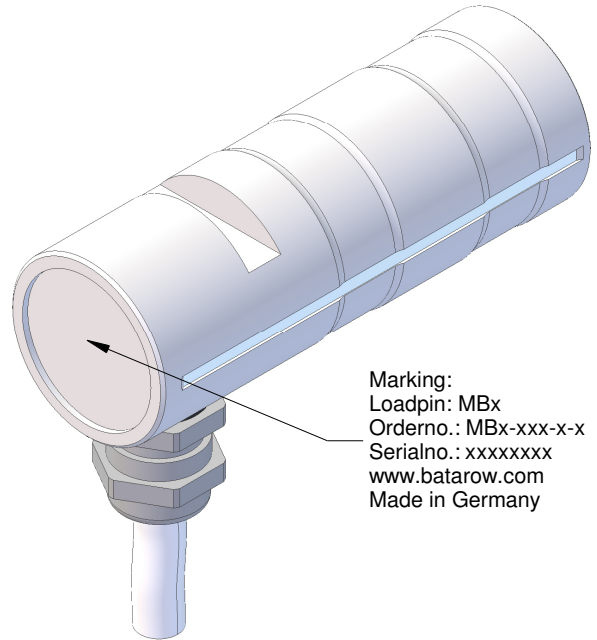
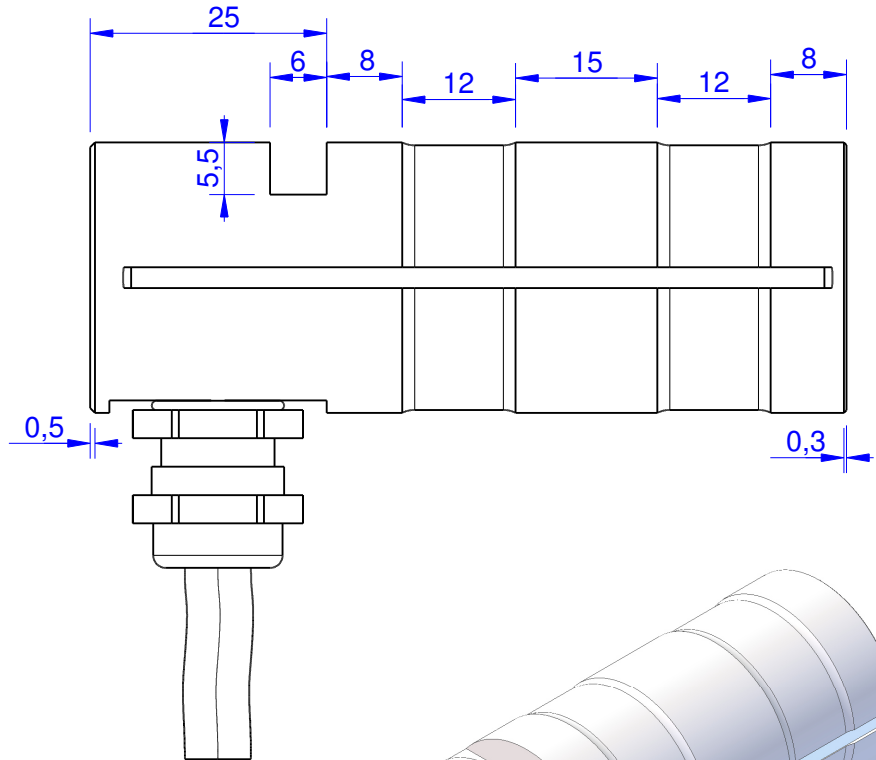
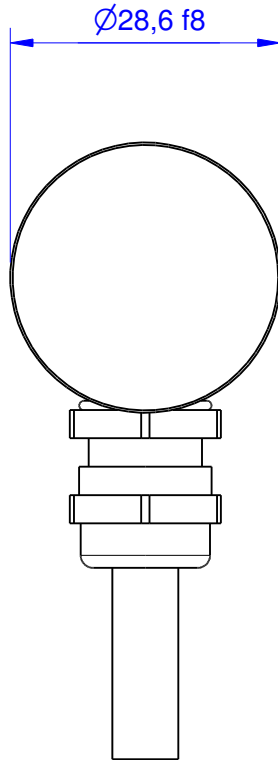
Load Pin

## Content of Loadpin Datasheet

Page 1 ... General

Page 2 ... Mounting Situation

Page 3 ... Output Signal & Wiring



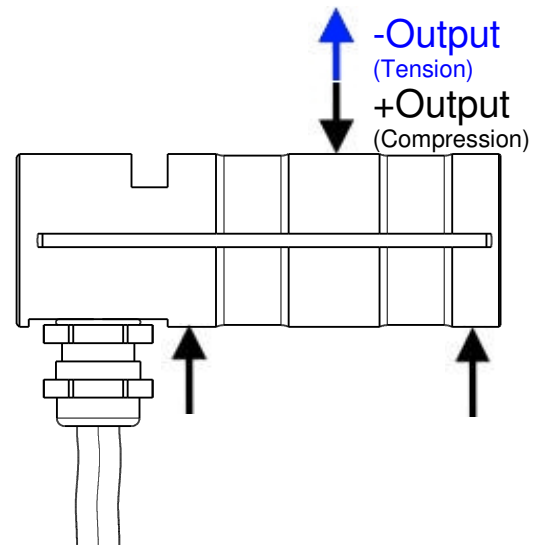
Marking:  
Loadpin: MBx  
Orderno.: MBx-xxx-x-x  
Serialno.: xxxxxxxx  
www.batarow.com  
Made in Germany

Order-number	Capacity (F.S.)	Uncertainty (k=2)	Review
MB791-5-x-A	5 kN	$\pm 0,025$ kN	A
MB791-10-x-A	10 kN	$\pm 0,05$ kN	A
MB791-20-x-A	20 kN	$\pm 0,10$ kN	A
MB791-50-x-A	50 kN	$\pm 0,25$ kN	A
MB791-100-x-A*	100 kN	$\pm 0,50$ kN	A

\* above showed version  
The fixed dimensions don't change at the other capacity.

### Specifications:

Dimension / Material		
Material		Steel
Protection class		IP 64
Hardness (load area)	HRC	>48
<b>Mechanical Data</b>		
Safe Load Limit	% of F.S.	120
Breaking Load	% of F.S.	150
<b>Precision</b>		
Nonlinearity	% of F.S.	$\pm 0,5$
Nonrepeatability	% of F.S.	$\pm 0,25$
Hysteresis	% of F.S.	$\pm 0,2$
Temp. Shift Zero	% of F.S./K.	$\pm 0,05$
Temp. Shift Span	% of F.S./K.	$\pm 0,05$
<b>Temperature</b>		
Compensated Temp.	°C	-10...+60
Operating Temp.	°C	-20...+70



**Batarow**  
Made in Germany

Batarow Sensorik GmbH  
Pappelweg 16  
18276 Lüssow OT Karow

Mail: info@batarow.com  
Phone: +49 (0) 3843-855555  
Fax : +49 (0) 3843-218842

Internet:  
www.batarow.com

# Mounting Situation

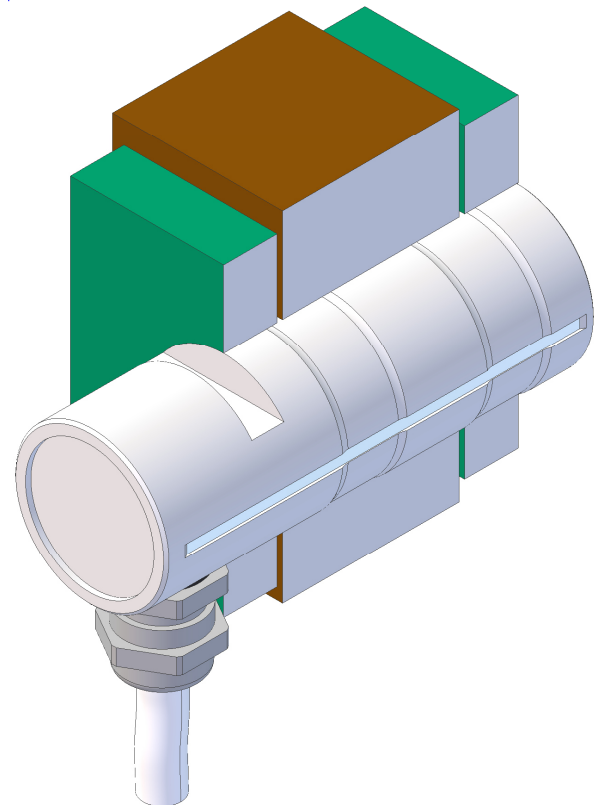
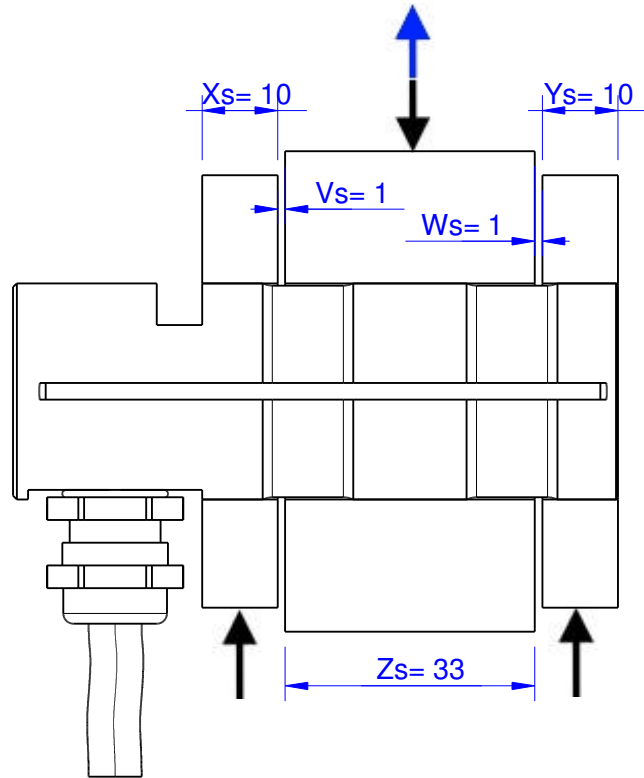
MB791 Review: A

Bore fit of mounting situation: H7

## Configuration

possible mounting situation / customer mounting could vary

(Please describe mounting situation with Vs, Ws, Xs, Ys and Zs for best possible calibration)



**Batarow**  
Made in Germany

Batarow Sensorik GmbH  
Pappelweg 16  
18276 Lüssow OT Karow

Mail: [info@batarow.com](mailto:info@batarow.com)  
Phone: +49 (0) 3843-855555  
Fax : +49 (0) 3843-218842

Internet:  
[www.batarow.com](http://www.batarow.com)

# Output Signal & Wiring

MB791 Review: A

## Analog Output mV/V (S1)

Electrical Data		
Rated Output	mV/V@F.S.	2
Zero Balance	mV/V	$\pm 0,05$
Exitation (Maximum)	Volt	10
Input Resistance	Ohm	$1200\pm 200$
Output Resistance	Ohm	$1220\pm 20$
Insulating Resistance	GOhm	$>5$

Wiringcode: WC52		Cabletype: 4x0,14 Lapp FD		
Cable Length	Exitation (+)	Exitation (-)	Bridge (+)	Bridge (-)
10 m	brown	white	green	yellow

Ordernumber Add-On:  
MBxxx-x-S1-x

## Analog Output 1V..10V (U1)\*

Electrical Data U1		
Output @ 0kN	V	$1\pm 0,2$
Output @ F.S.	V	$10\pm 0,2$
Supply Voltage	V	$24\pm 2$
Current Consumption	mA	25 (@ 24V)
Bandwidth	kHz	$2,2\pm 0,2$

Wiringcode: WC23			
Cabeling: 5 m 4 x 0,14 Lapp FD			
Supply(+)	Ground (-)	Output	n.c.
brown	white	green	yellow

Ordernumber Add-On:  
MBxxx-x-U1-x

## Analog Output 4..20mA (I1)\*

Electrical Data I1		
Output @ 0kN	mA	$4\pm 0,5$
Output @ F.S.	mA	$20\pm 0,5$
Supply Voltage	V	$24\pm 2$
Current Consumption	mA	45 (@ 24V)
Bandwidth	kHz	$2,2\pm 0,2$

Wiringcode: WC23			
Cabeling: 10 m 4 x 0,14 Lapp FD			
Supply(+)	Ground (-)	Output	n.c.
brown	white	green	yellow

Ordernumber Add-On:  
MBxxx-x-I1-x

Attention: Nipple orientation of connector is not fixed. In case of 90° connector - it is necessary to set by customer.

\*Attention: With this output configuration is no negative signal (Tension) possible. Please ask our engineering for 4..12..20mA; 1..5..9V or  $\pm 10V$  versions.

**Batarow**  
Made in Germany

Batarow Sensorik GmbH  
Pappelweg 16  
18276 Lüssow OT Karow

Mail: [info@batarow.com](mailto:info@batarow.com)  
Phone: +49 (0) 3843-855555  
Fax : +49 (0) 3843-218842

**Internet:**  
[www.batarow.com](http://www.batarow.com)