

MB785

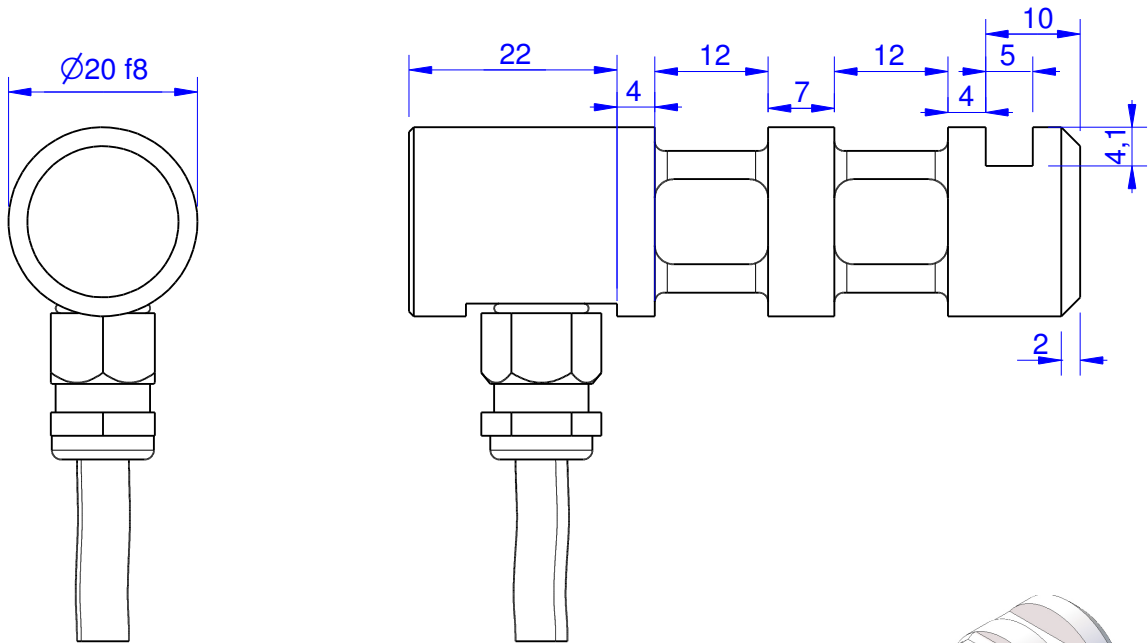
Load Pin

Content of Loadpin Datasheet

Page 1 ... General

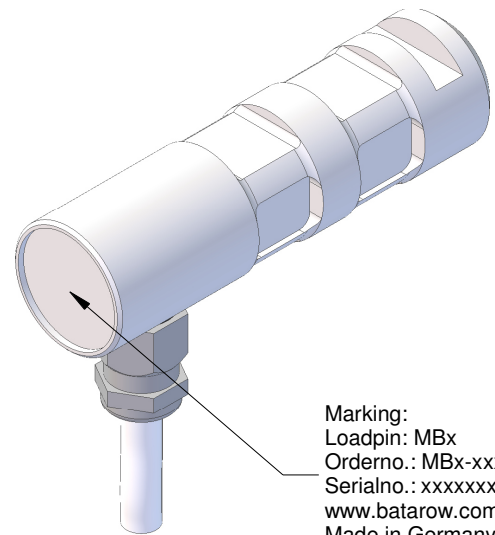
Page 2 ... Mounting Situation

Page 3 ... Output Signal & Wiring



| Order-number | Capacity (F.S.) | Uncertainty (k=2) | Review |
|---------------|-----------------|-------------------|--------|
| MB785-2-x-A | 2 kN | ±0,010kN | A |
| MB785-5-x-A | 5 kN | ±0,025 kN | A |
| MB785-10-x-A | 15 kN | ±0,075 kN | A |
| MB785-15-x-A* | 20 kN | ±0,100 kN | A |
| MB785-50-x-A | 50 kN | ±0,250 kN | A |

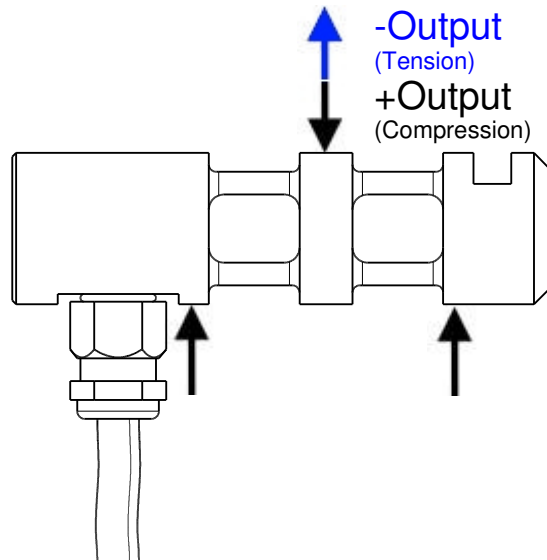
* above showed version
The fixed dimensions don't change at the other capacity.



Marking:
Loadpin: MBx
Orderno.: MBx-xxx-x-x
Serialno.: xxxxxxxx
www.batarow.com
Made in Germany

Specifications:

| Dimension / Material | | |
|------------------------|--------------|-----------------|
| Material | | Stainless Steel |
| Protection class | | IP 66 |
| Hardness (load area) | HRC | 38 |
| Mechanical Data | | |
| Safe Load Limit | % of F.S. | 150 |
| Breaking Load | % of F.S. | 300 |
| Precision | | |
| Nonlinearity | % of F.S. | ±0,5 |
| Nonrepeatability | % of F.S. | ±0,25 |
| Hysteresis | % of F.S. | ±0,2 |
| Temp. Shift Zero | % of F.S./K. | ±0,05 |
| Temp. Shift Span | % of F.S./K. | ±0,05 |
| Temperature | | |
| Compensated Temp. | °C | -10...+60 |
| Operating Temp. | °C | -20...+70 |



Batarow
Made in Germany

Batarow Sensorik GmbH
Pappelweg 16
18276 Lüssow OT Karow

Mail: info@batarow.com
Phone: +49 (0) 3843-855555
Fax : +49 (0) 3843-218842

Internet:
www.batarow.com

Mounting Situation

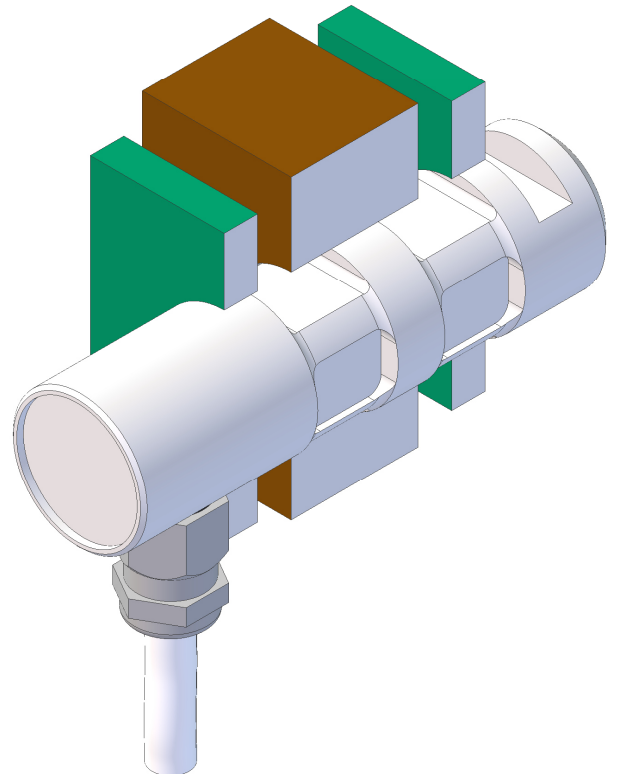
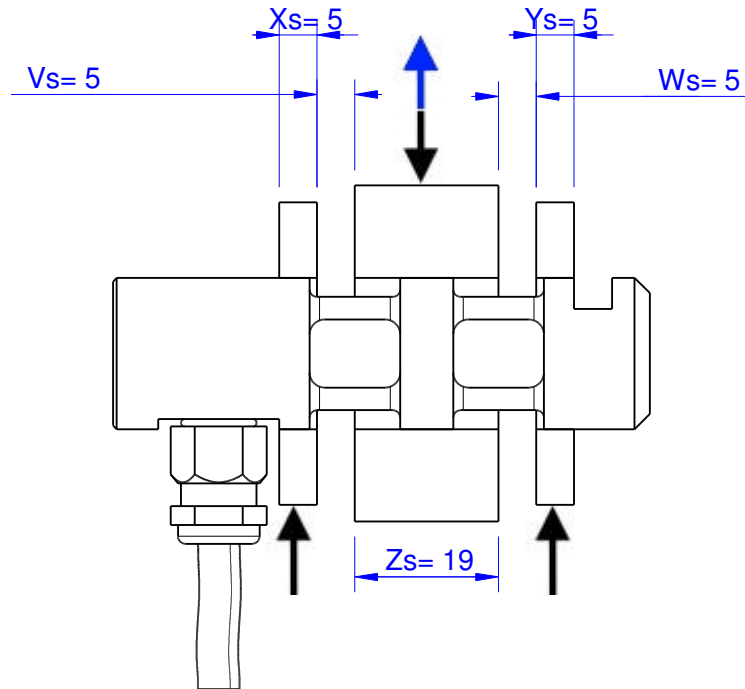
MB785 Review: A

Bore fit of mounting situation: H7

Configuration

possible mounting situation / customer mounting could vary

(Please describe mounting situation with Vs, Ws, Xs, Ys and Zs for best possible calibration)



Batarow
Made in Germany

Batarow Sensorik GmbH
Pappelweg 16
18276 Lüssow OT Karow

Mail: info@batarow.com
Phone: +49 (0) 3843-855555
Fax : +49 (0) 3843-218842

Internet:
www.batarow.com

Output Signal & Wiring

MB785 Review: A

Analog Output mV/V (S1)

| Electrical Data | | |
|-----------------------|-----------|---------------|
| Rated Output | mV/V@F.S. | 1 |
| Zero Balance | mV/V | $\pm 0,05$ |
| Excitation (Maximum) | Volt | 10 |
| Input Resistance | Ohm | 450 ± 100 |
| Output Resistance | Ohm | 352 ± 2 |
| Insulating Resistance | GOhm | >5 |

| | | | | |
|------------------|----------------|-----------------|------------|------------|
| Wiringcode: WC52 | | Cabletype: 24-4 | | |
| Cable Length | Excitation (+) | Excitation (-) | Bridge (+) | Bridge (-) |
| 3 m | brown | white | green | yellow |

Ordernumber Add-On:
MBxxx-x-S1-x

Analog Output 1V..10V (U1)*

| Electrical Data U1 | | |
|---------------------|-----|---------------|
| Output @ 0kN | V | $1 \pm 0,2$ |
| Output @ F.S. | V | $10 \pm 0,2$ |
| Supply Voltage | V | 24 ± 2 |
| Current Consumption | mA | 25 (@ 24V) |
| Bandwidth | kHz | $2,2 \pm 0,2$ |

| | | | |
|--------------------|------------|--------|--------|
| Wiringcode: WC23 | | | |
| Cabeling: 3 m 24-4 | | | |
| Supply(+) | Ground (-) | Output | n.c. |
| brown | white | green | yellow |

Ordernumber Add-On:
MBxxx-x-U1-x

Analog Output 4..20mA (I1)*

| Electrical Data I1 | | |
|---------------------|-----|---------------|
| Output @ 0kN | mA | $4 \pm 0,5$ |
| Output @ F.S. | mA | $20 \pm 0,5$ |
| Supply Voltage | V | 24 ± 2 |
| Current Consumption | mA | 45 (@ 24V) |
| Bandwidth | kHz | $2,2 \pm 0,2$ |

| | | | |
|--------------------|------------|--------|--------|
| Wiringcode: WC23 | | | |
| Cabeling: 3 m 24-4 | | | |
| Supply(+) | Ground (-) | Output | n.c. |
| brown | white | green | yellow |

Ordernumber Add-On:
MBxxx-x-I1-x

Attention: Nipple orientation of connector is not fixed. In case of 90° connector - it is necessary to set by customer.

*Attention: With this output configuration is no negative signal (Tension) possible. Please ask our engineering for 4..12..20mA; 1..5..9V or $\pm 10V$ versions.

Batarow
Made in Germany

Batarow Sensorik GmbH
Pappelweg 16
18276 Lüssow OT Karow

Mail: info@batarow.com
Phone: +49 (0) 3843-855555
Fax : +49 (0) 3843-218842

Internet:
www.batarow.com