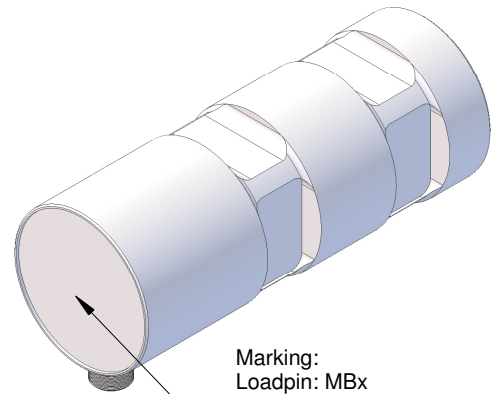
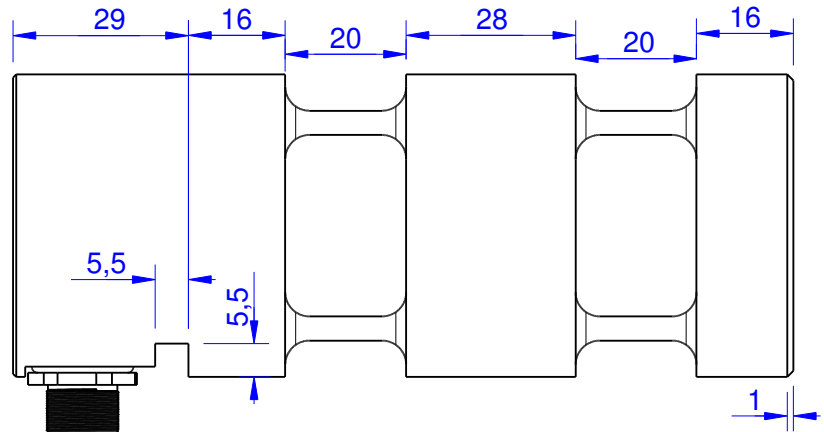
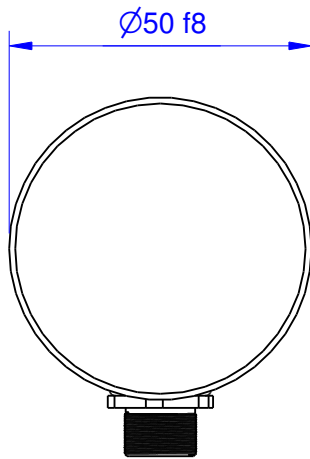


MB783

Load Pin



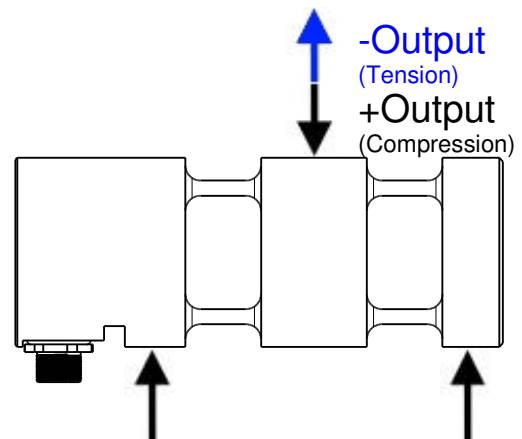
Marking:
Loadpin: MBx
Orderno.: MBx-xxx-x-x
Serialno.: xxxxxxxx
www.batarow.com
Made in Germany

| Order-number | Capacity (F.S.) | Uncertainty (k=2) | Review |
|---------------|-----------------|-------------------|--------|
| MB783-10-x-A | 10 kN | $\pm 0,05$ kN | A |
| MB783-20-x-A | 20 kN | $\pm 0,10$ kN | A |
| MB783-48-x-A* | 48 kN | $\pm 0,20$ kN | A |
| MB783-100-x-A | 100 kN | $\pm 0,50$ kN | A |
| MB783-200-x-A | 200 kN | $\pm 1,00$ kN | A |

* above showed version
The fixed dimensions don't change at the other capacity.

Specifications:

| Dimension / Material | | Stainless Steel |
|------------------------|--------------------|-----------------|
| Material | | Stainless Steel |
| Protection class | | IP 66 |
| Hardness (load area) | HRC | 38 |
| Mechanical Data | | |
| Safe Load Limit | % of F.S. | 150 |
| Breaking Load | % of F.S. | 300 |
| Precision | | |
| Nonlinearity | % of F.S. | $\pm 0,5$ |
| Nonrepeatability | % of F.S. | $\pm 0,25$ |
| Hysteresis | % of F.S. | $\pm 0,2$ |
| Temp. Shift Zero | % of F.S./K. | $\pm 0,05$ |
| Temp. Shift Span | % of F.S./K. | $\pm 0,05$ |
| Temperature | | |
| Compensated Temp. | $^{\circ}\text{C}$ | -10...+60 |
| Operating Temp. | $^{\circ}\text{C}$ | -20...+70 |



Batarow
Made in Germany

Batarow Sensorik GmbH
Pappelweg 16
18276 Lüssow OT Karow

Mail: info@batarow.com
Phone: +49 (0) 3843-855555
Fax : +49 (0) 3843-218842

Internet:
www.batarow.com

Mounting Situation

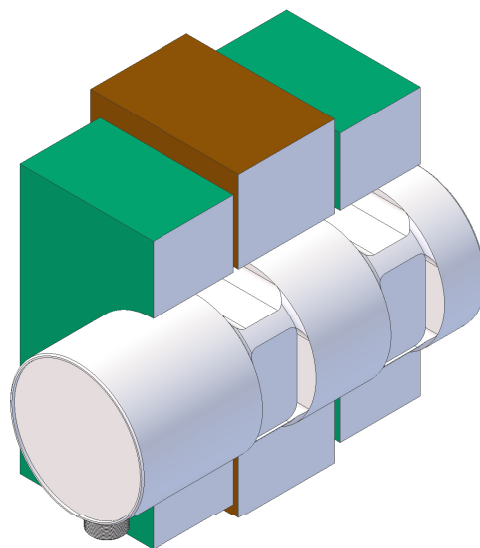
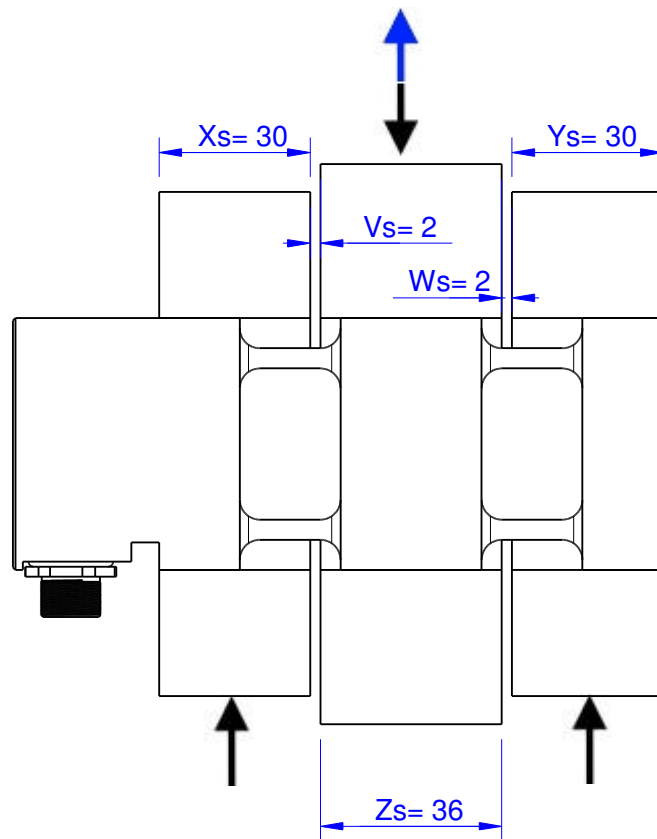
MB783 Review: A

Bore fit of mounting situation: H7

Configuration

possible mounting situation / customer mounting could vary

(Please describe mounting situation with Vs, Ws, Xs, Ys and Zs for best possible calibration)



Batarow
Made in Germany

Batarow Sensorik GmbH
Pappelweg 16
18276 Lüssow OT Karow

Mail: info@batarow.com
Phone: +49 (0) 3843-855555
Fax : +49 (0) 3843-218842


Internet:
www.batarow.com

Output Signal & Wiring

MB783 Review: A

Analog Output mV/V (S1)


| Electrical Data | | |
|-----------------------|-----------|---------|
| Rated Output | mV/V@F.S. | 1 |
| Zero Balance | mV/V | ±0,05 |
| Excitation (Maximum) | Volt | 10 |
| Input Resistance | Ohm | 450±100 |
| Output Resistance | Ohm | 352±2 |
| Insulating Resistance | GOhm | >5 |

| Wiringcode: WC58 | | Connectortype: M12 (male) | | | |
|---|-------------------------|---------------------------|---------------------|---------------------|--|
|  | Excitation (+) Pin 1 | Excitation (-) Pin 2 | Bridge (+) Pin 3 | Bridge (-) Pin 4 | |

Ordernumber Add-On:
MBxxx-x-S1-x

Analog Output 1V..10V (U1)*

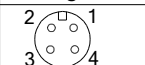
| Electrical Data U1 | | |
|---------------------|-----|------------|
| Output @ 0kN | V | 1±0,2 |
| Output @ F.S. | V | 10±0,2 |
| Supply Voltage | V | 24±2 |
| Current Consumption | mA | 25 (@ 24V) |
| Bandwidth | kHz | 2,2±0,2 |

| Wiringcode: WC36 | | Connectortype: M12 (male) | | |
|---|---------------------|---------------------------|-----------------|--|
|  | Supply (+) Pin 1 | GND Pin 3 | Output Pin 4 | |

Ordernumber Add-On:
MBxxx-x-U1-x

Analog Output 4..20mA (I1)*

| Electrical Data I1 | | |
|---------------------|-----|------------|
| Output @ 0kN | mA | 4±0,5 |
| Output @ F.S. | mA | 20±0,5 |
| Supply Voltage | V | 24±2 |
| Current Consumption | mA | 45 (@ 24V) |
| Bandwidth | kHz | 2,2±0,2 |

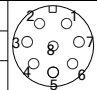
| Wiringcode: WC36 | | Connectortype: M12 (male) | | |
|---|---------------------|---------------------------|-----------------|--|
|  | Supply (+) Pin 1 | GND Pin 3 | Output Pin 4 | |

Ordernumber Add-On:
MBxxx-x-I1-x

Analog & Switch Output 0V..10V (U20)*

| Electrical Data U20 | | |
|------------------------|----|----------------|
| Output @ 0kN | V | 0 |
| Output @ F.S. | V | 10 |
| Supply Voltage | V | 11..30 |
| Current Consumption | mA | 15 (@ 24V) |
| Bandwidth | Hz | 105 |
| Switching Output | | Open Collector |
| max. Switching current | mA | 100 |

| Wiringcode: WC39 | | | |
|--|-------|---------------|-------|
| Integrated Amplifier: GSV-15 | | | |
| Cabeling: M12 Male Socket / Flanschdose (male) | | | |
| Supply(+) | Pin 1 | Scale | Pin 5 |
| Ground (-) | Pin 3 | Threshold | Pin 6 |
| Output | Pin 4 | Output Ground | Pin 7 |
| Tare | Pin 2 | | |

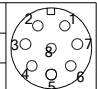


Ordernumber Add-On:
MBxxx-x-U20-x

Analog & Switch Output 4..20mA (I20)*

| Electrical Data I42 | | |
|---------------------|-----|------------|
| Output @ -F.S. | mA | 4±0,3 |
| Output @ 0kN | mA | 12±0,3 |
| Output @ +F.S. | mA | 20±0,3 |
| Supply Voltage | V | 24±2 |
| Current Consumption | mA | 45 (@ 24V) |
| Bandwidth | kHz | 0,1 |

| Wiringcode: WC39 | | | |
|--|-------|---------------|-------|
| Integrated Amplifier: GSV-15 | | | |
| Cabeling: M12 Male Socket / Flanschdose (male) | | | |
| Supply(+) | Pin 1 | Scale | Pin 5 |
| Ground (-) | Pin 3 | Threshold | Pin 6 |
| Output | Pin 4 | Output Ground | Pin 7 |
| Tare | Pin 2 | | |



Ordernumber Add-On:
MBxxx-x-I20-x

Attention: Nipple orientation of connector is not fixed. In case of 90° connector - it is necessary to set by customer.

*Attention: With this output configuration is no negative signal (Tension) possible. Please ask our engineering for 4..12..20mA; 1..5..9V or ±10V versions.

Batarow
Made in Germany

Batarow Sensorik GmbH
Pappelweg 16
18276 Lüssow OT Karow

Mail: info@batarow.com
Phone: +49 (0) 3843-855555
Fax : +49 (0) 3843-218842

Internet:
www.batarow.com