

MB741

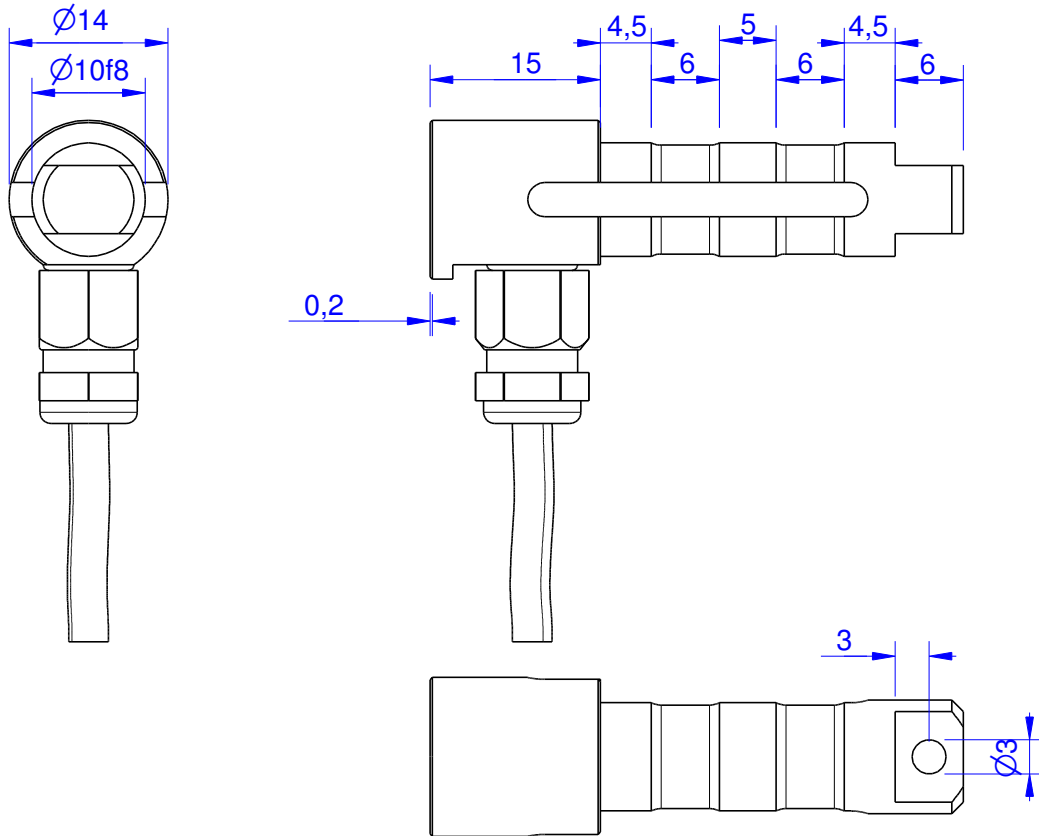
Load Pin

Content of Loadpin Datasheet

Page 1 General

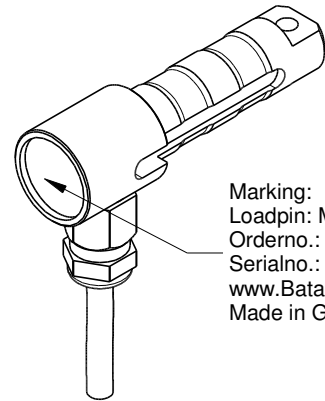
Page 2 Mounting Situation

Page 3 Output Signal & Wiring



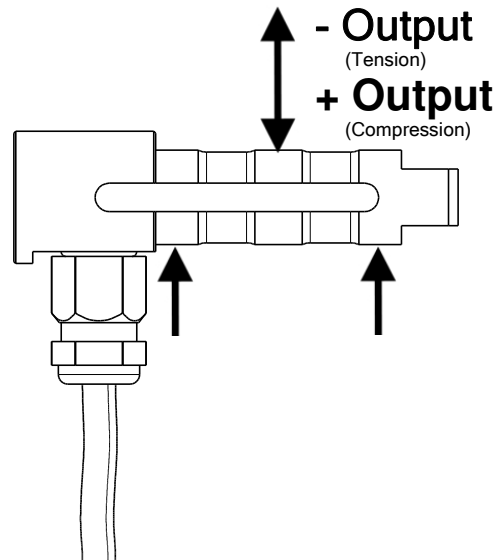
| Order-number | Capacity (F.S.) | Uncertainty (k=2) | Review |
|---------------|-----------------|-------------------|--------|
| MB741-1-x-A | 1 kN | ±0,005kN | A |
| MB741-2-x-A | 2 kN | ±0,001 kN | A |
| MB741-5-x-A | 5 kN | ±0,025 kN | A |
| MB741-10-x-A* | 10 kN | ±0,05 kN | A |

* above showed version
The fixed dimensions don't change at the other capacity.



Specifications: (Customizing on request)

| Dimension / Material | | |
|------------------------|--------------|-----------------|
| Material | | Stainless Steel |
| Protection class | | IP 66 |
| Hardness (load area) | HRC | 38 |
| Mechanical Data | | |
| Safe Load Limit | % of F.S. | 150 |
| Breaking Load | % of F.S. | 300 |
| Precision | | |
| Nonlinearity | % of F.S. | ±0,5 |
| Nonrepeatability | % of F.S. | ±0,25 |
| Hysteresis | % of F.S. | ±0,2 |
| Temp. Shift Zero | % of F.S./K. | ±0,05 |
| Temp. Shift Span | % of F.S./K. | ±0,05 |
| Temperature | | |
| Compensated Temp. | °C | -10...+60 |
| Operating Temp. | °C | -20...+70 |



Batarow
Made in Germany

Batarow Sensorik GmbH
Pappelweg 16
18276 Lüssow OT Karow

Mail: info@batarow.com
Phone: +49 (0) 3843-855555
Fax : +49 (0) 3843-218842

Internet:
www.batarow.com

Mounting Situation

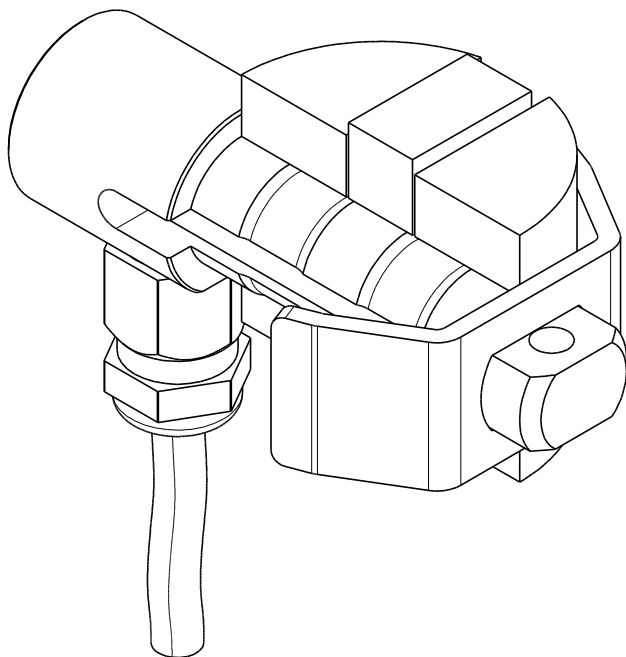
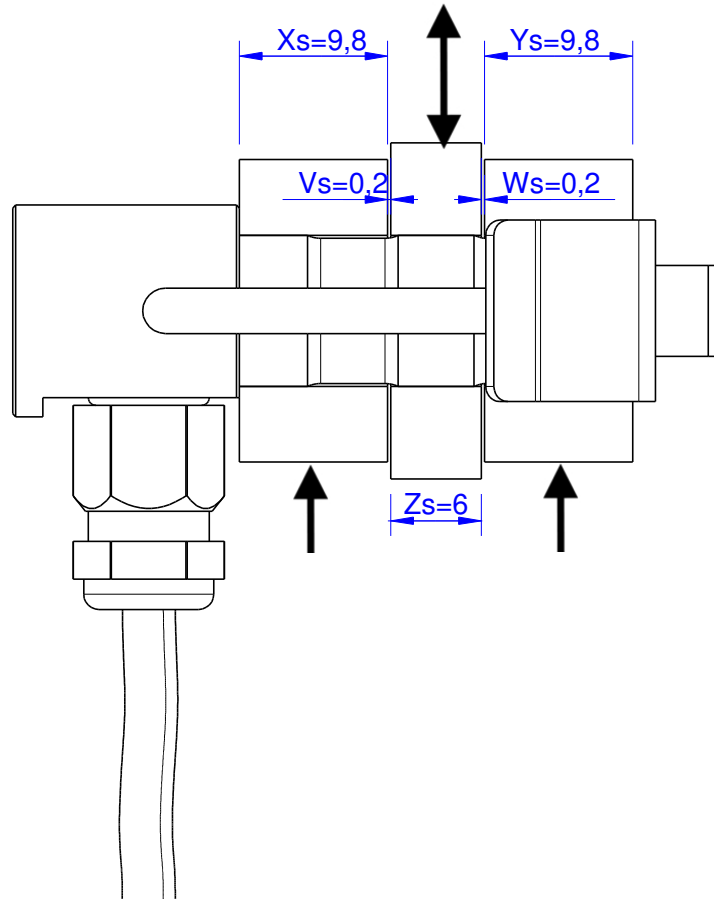
MB741 Review: A

Bore fit of mounting situation: H7

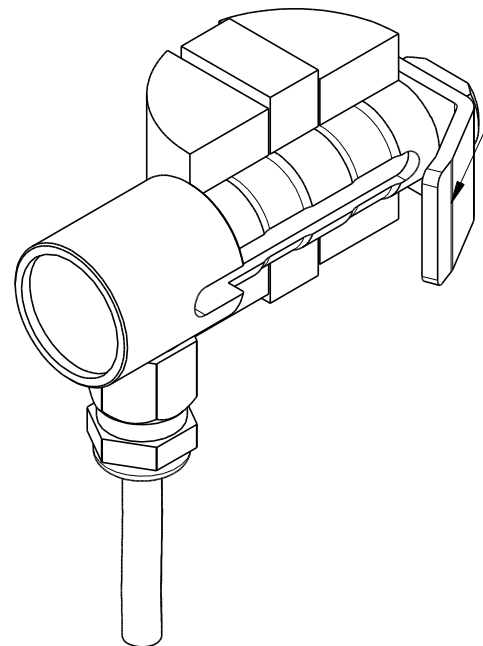
Configuration 1 (Standard)

possible Mounting Situation / Customer Mounting could vary

(Please describe Mounting situation with Vs,Ws,Xs,Ys and Zs for best possible calibration)



Keyplate
(not included)



Batarow
Made in Germany

Batarow Sensorik GmbH
Pappelweg 16
18276 Lüssow OT Karow

Mail: info@batarow.com
Phone: +49 (0) 3843-855555
Fax : +49 (0) 3843-218842

Internet:
www.batarow.com

Output Signal & Wiring

Loadpin: MB741

Review: A

Analog Output mV/V (S1)

| Electrical Data | | |
|-----------------------|-----------|----------|
| Rated Output | mV/V@F.S. | 1 |
| Zero Balance | mV/V | ±0,05 |
| Excitation (Maximum) | Volt | 10 |
| Input Resistance | Ohm | 1200±200 |
| Output Resistance | Ohm | 1010±10 |
| Insulating Resistance | GOhm | >5 |

| | | | | |
|------------------|----------------|-------------------|------------|------------|
| Wiringcode: WC50 | | Cabletype: stc31v | | |
| Cable Length | Excitation (+) | Excitation (-) | Bridge (+) | Bridge (-) |
| 3 m | red | black | green | white |

Ordernumber Add-On:
MBxxx-x-S1-x

Batarow
Made in Germany

Batarow Sensorik GmbH
Pappelweg 16
18276 Lüssow OT Karow

Mail: info@batarow.com
Phone: +49 (0) 3843-855555
Fax : +49 (0) 3843-218842

Internet:
www.batarow.com