

# MB740

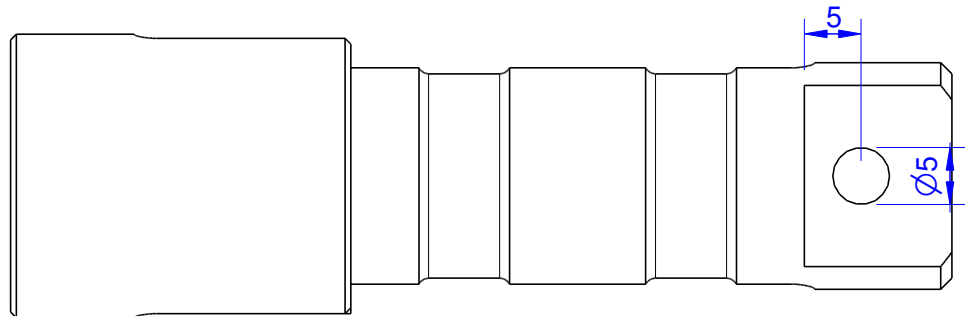
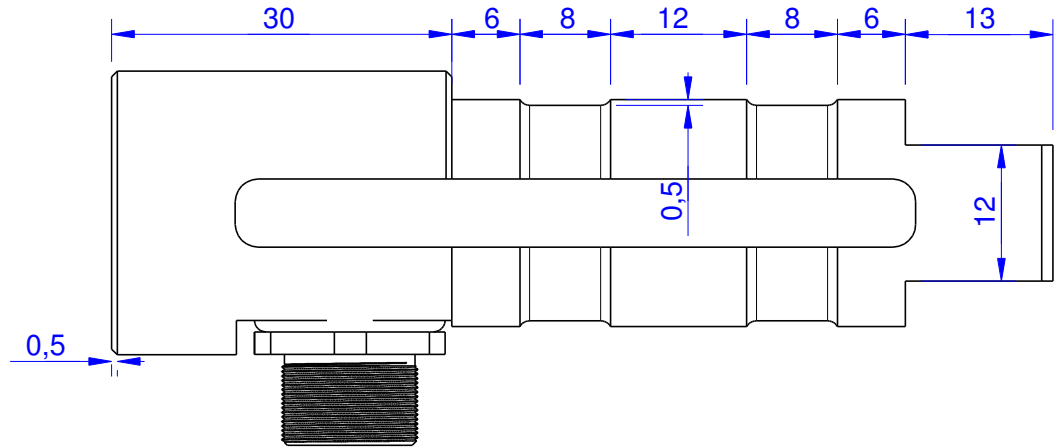
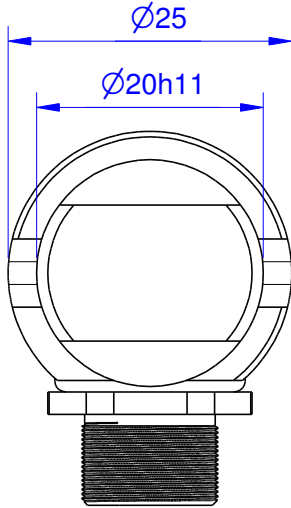
Load Pin

## Content of Loadpin Datasheet

Page 1 ... General

Page 2 ... Mounting Situation

Page 3 ... Output Signal & Wiring



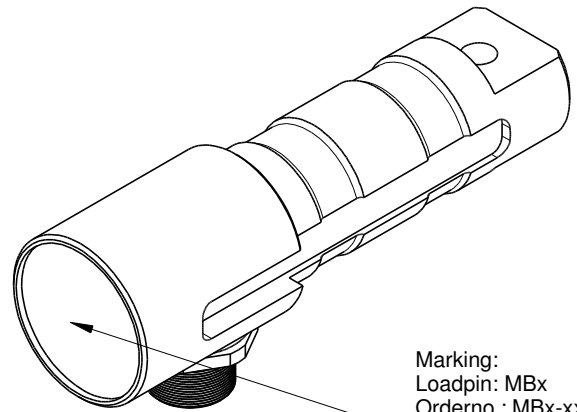
Order-number	Capacity (F.S.)	Uncertainty (k=2)	Review
MB740-2-x-A	2 kN	±0,010kN	A
MB740-5-x-A	5 kN	±0,025 kN	A
MB740-10-x-A	10 kN	±0,050 kN	A
MB740-25-x-A*	25 kN	±0,125 kN	A
MB740-30-x-A	35 kN	±0,150 kN	A

\* above showed version

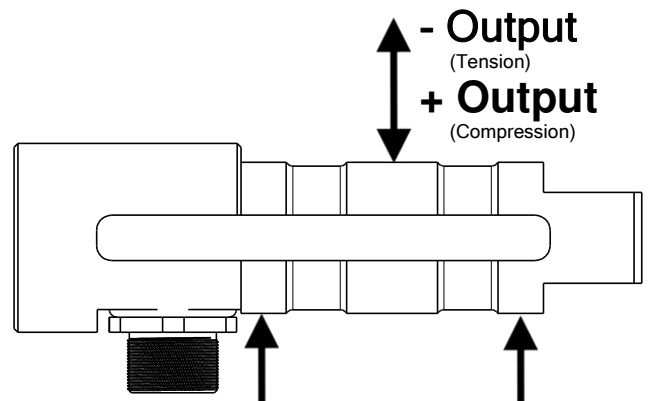
The fixed dimensions don't change at the other capacity.

### Specifications: (Customizing on request)

Dimension / Material		
Material		Stainless Steel
Protection class		IP 66
Hardness (load area)	HRC	38
<b>Mechanical Data</b>		
Safe Load Limit	% of F.S.	150
Breaking Load	% of F.S.	300
<b>Precision</b>		
Nonlinearity	% of F.S.	±0,5
Nonrepeatability	% of F.S.	±0,25
Hysteresis	% of F.S.	±0,2
Temp. Shift Zero	% of F.S./K.	±0,05
Temp. Shift Span	% of F.S./K.	±0,05
<b>Temperature</b>		
Compensated Temp.	°C	-10...+60
Operating Temp.	°C	-20...+70



Marking:  
 Loadpin: MBx  
 Orderno.: MBx-xxx-x-x  
 Serialno.: xxxxxxxx  
 www.Batarow.com  
 Made in Germany



**Batarow**  
 Made in Germany

Batarow Sensorik GmbH  
 Pappelweg 16  
 18276 Lüssow OT Karow

Mail: info@batarow.com  
 Phone: +49 (0) 3843-855555  
 Fax : +49 (0) 3843-218842

Internet:  
 www.batarow.com

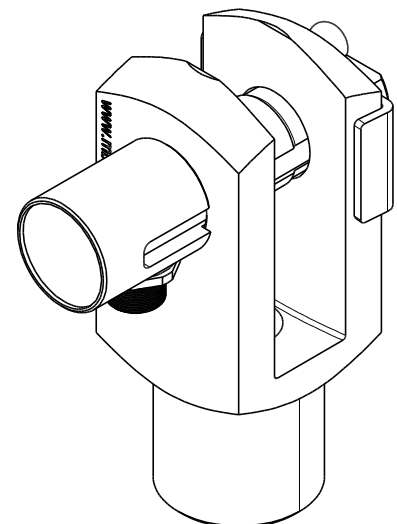
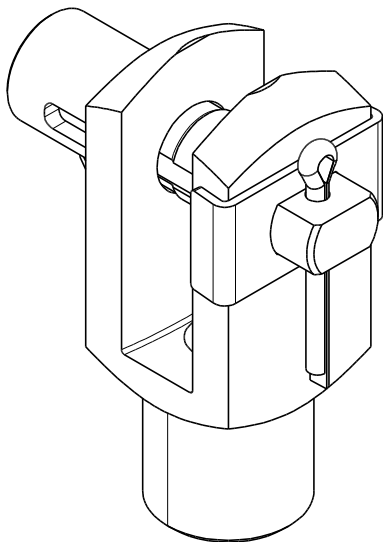
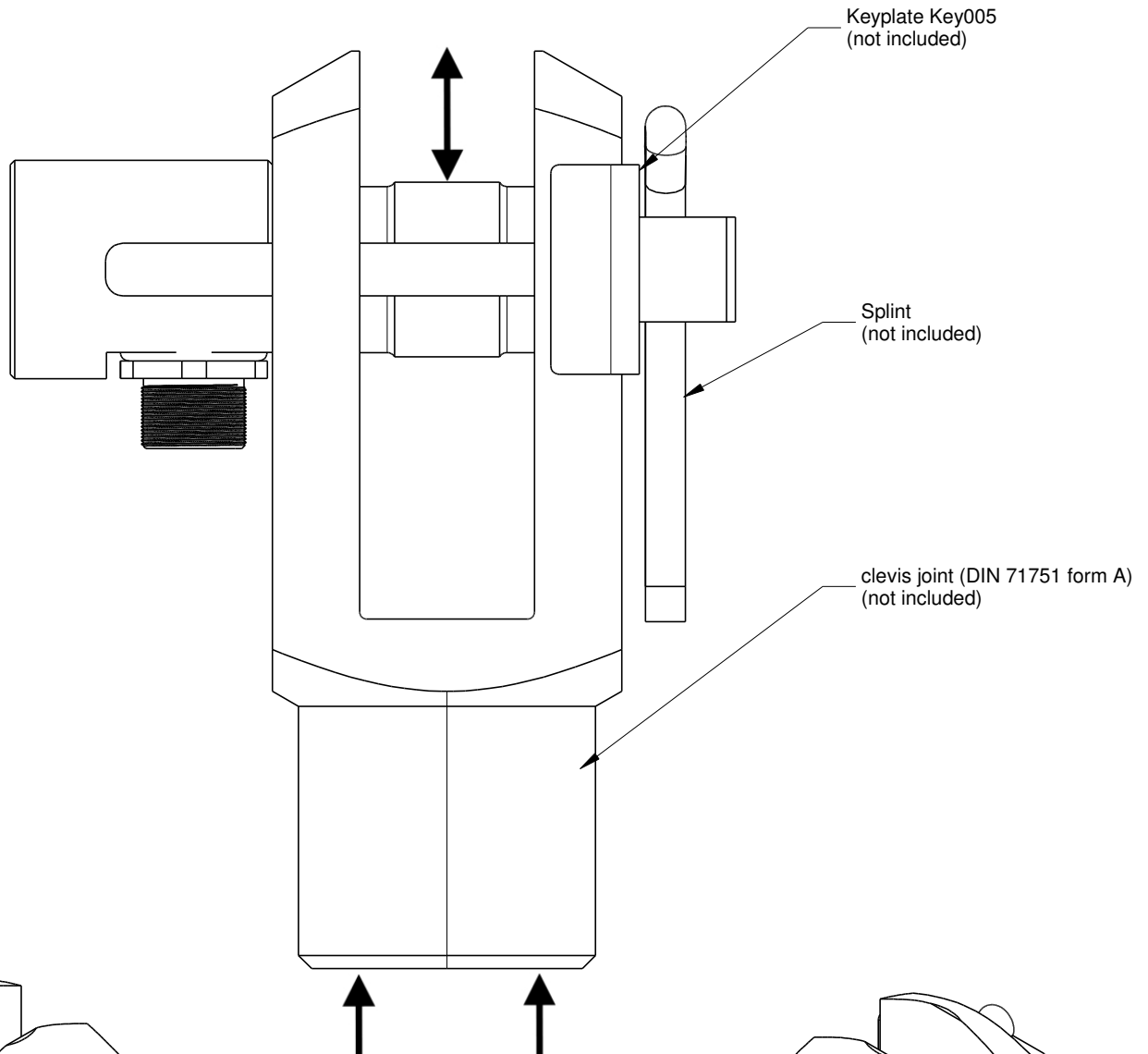
# Mounting Situation

MB740 Review: A

## Configuration 1 (Standard)

possible Mounting Situation / Customer Mounting could vary

(Please describe Mounting situation with Vs,Ws,Xs,Ys and Zs for best possible calibration)



**Batarow**  
Made in Germany

Batarow Sensorik GmbH  
Pappelweg 16  
18276 Lüssow OT Karow

Mail: [info@batarow.com](mailto:info@batarow.com)  
Phone: +49 (0) 3843-855555  
Fax : +49 (0) 3843-218842

Internet:  
[www.batarow.com](http://www.batarow.com)

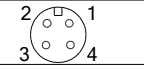
# Output Signal & Wiring

Loadpin: MB740

Review: A

## Analog Output mV/V (S1)

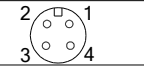
Electrical Data		
Rated Output	mV/V@F.S.	1
Zero Balance	mV/V	±0,05
Exitation (Maximum)	Volt	10
Input Resistance	Ohm	450±100
Output Resistance	Ohm	352±2
Insulating Resistance	GOhm	>5

Wiringcode: WC58		Connectortype: M12 (male)		
	Exitation (+) Pin 1	Exitation (-) Pin 2	Bridge (+) Pin 3	Bridge (-) Pin 4

Ordernumber Add-On:  
MBxxx-x-S1-x

## Analog Output 1V..10V (U1)\*

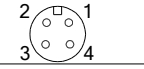
Electrical Data U1		
Output @ 0kN	V	1±0,2
Output @ F.S.	V	10±0,2
Supply Voltage	V	24±2
Current Consumption	mA	25 (@ 24V)
Bandwidth	KHz	2,2±0,2

Wiringcode: WC36		Connectortype: M12 (male)	
	Supply (+) Pin 1	GND Pin 3	Output Pin 4

Ordernumber Add-On:  
MBxxx-x-U1-x

## Analog Output 4..20mA (I2)

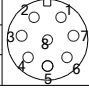
Electrical Data I2		
Output @ -F.S.	mA	4±0,5
Output @ 0kN	mA	12±0,5
Output @ +F.S.	mA	20±0,5
Supply Voltage	V	24±2
Current Consumption	mA	45 (@ 24V)
Bandwidth	Hz	2200

Wiringcode: WC36		Connectortype: M12 (male)	
	Supply (+) Pin 1	GND Pin 3	Output Pin 4

Ordernumber Add-On:  
MBxxx-x-I2-x

## Analog & Digital Output 0..10V (U20)\*

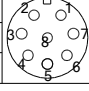
Electrical Data U20		
Output @ 0kN	V	0
Output @ F.S.	V	10
Supply Voltage	V	11..30
Current Consumption	mA	15 (@ 24V)
Bandwidth	Hz	105
Switching Output		Open Collector
max. Switching current	mA	100

Wiringcode: WC39				
Integrated Amplifier: GSV-15				
Cabeling: M12 Male Socket / Flanschdose (male)				
Supply(+)	Pin 1	Scale	Pin 5	
Ground (-)	Pin 3	Threshold	Pin 6	
Output	Pin 4	Output Ground	Pin 7	
Tare	Pin 2			

Ordernumber Add-On:  
MBxxx-x-U20-x

## Analog & Digital Output 4..20mA (I20)\*

Electrical Data I20		
Output @ 0kN	mA	4
Output @ F.S.	mA	20
Supply Voltage	V	11..30
Current Consumption	mA	15 (@ 24V)
Bandwidth	Hz	105
Switching Output		Open Collector
max. Switching current	mA	100

Wiringcode: WC39				
Integrated Amplifier: GSV-15				
Cabeling: M12 Male Socket / Flanschdose (male)				
Supply(+)	Pin 1	Scale	Pin 5	
Ground (-)	Pin 3	Threshold	Pin 6	
Output	Pin 4	Output Ground	Pin 7	
Tare	Pin 2			

Ordernumber Add-On:  
MBxxx-x-I20-x

\*Attention: With this output configuration is no negative signal (Tension) possible

Attention: Nipple orientation of connector is not fixed. In case of 90° degree connector - it is necessary to set by customer.

**Batarow**  
Made in Germany

Batarow Sensorik GmbH  
Pappelweg 16  
18276 Lüssow OT Karow

Mail: info@batarow.com  
Phone: +49 (0) 3843-855555  
Fax : +49 (0) 3843-218842

**Internet:**  
www.batarow.com