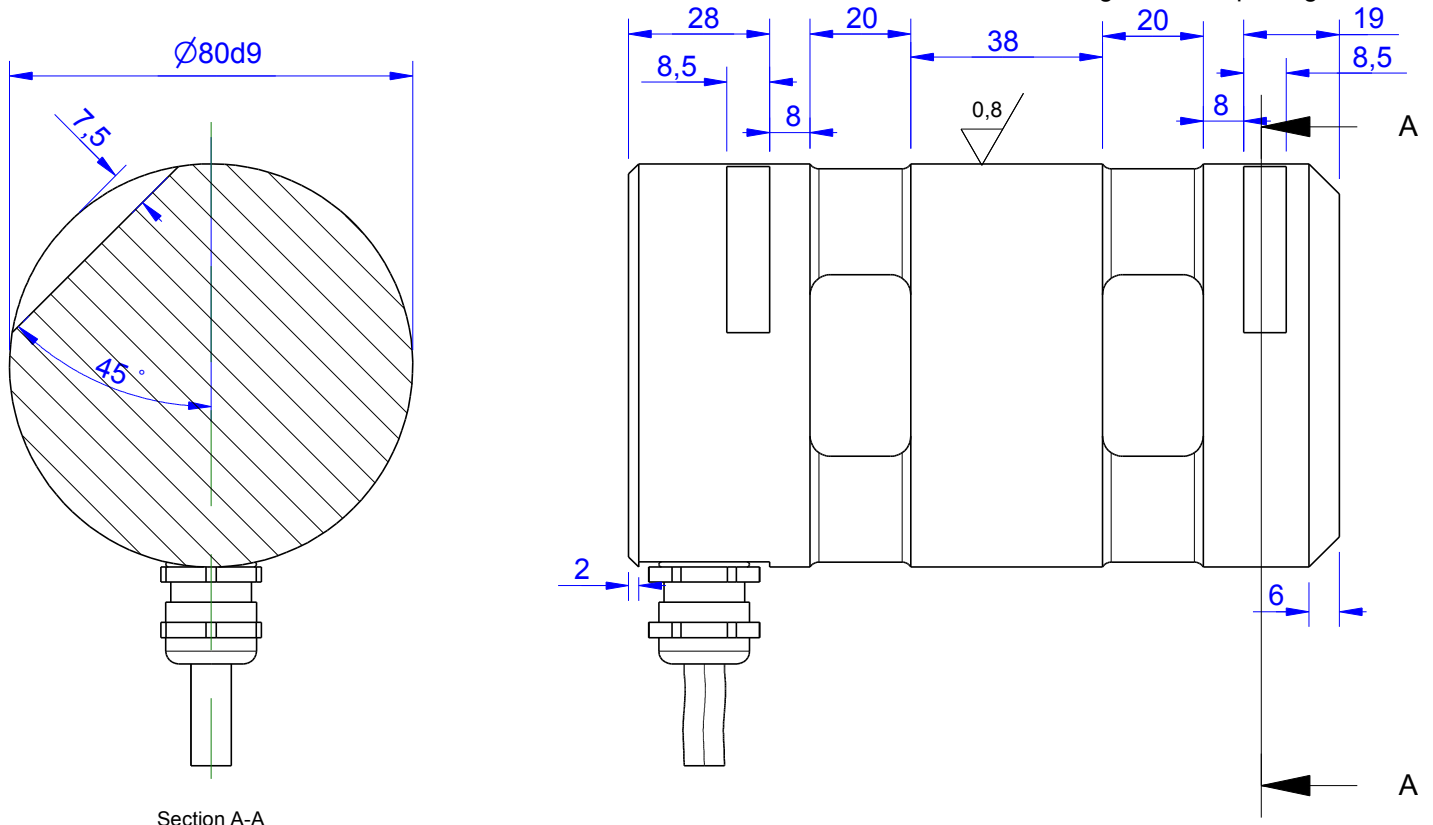


MB738

Load Pin

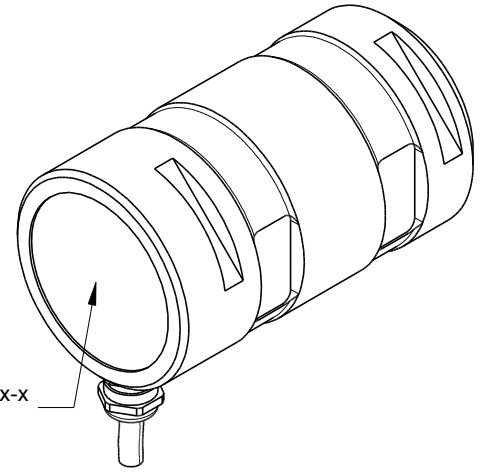
Content of Loadpin Datasheet

Page 1 General
 Page 2 Mounting Situation
 Page 3 Output Signal & Wiring



| Order-number | Capacity (F.S.) | Uncertainty (k=2) | Review |
|----------------|-----------------|-------------------|--------|
| MB738-50-x-A | 50 kN | ±0,25kN | A |
| MB738-100-x-A | 100 kN | ±0,50 kN | A |
| MB738-200-x-A | 200 kN | ±1,0 kN | A |
| MB738-400-x-A* | 400 kN | ±2,0 kN | A |
| MB738-600-x-A | 600 kN | ±3,0 kN | A |

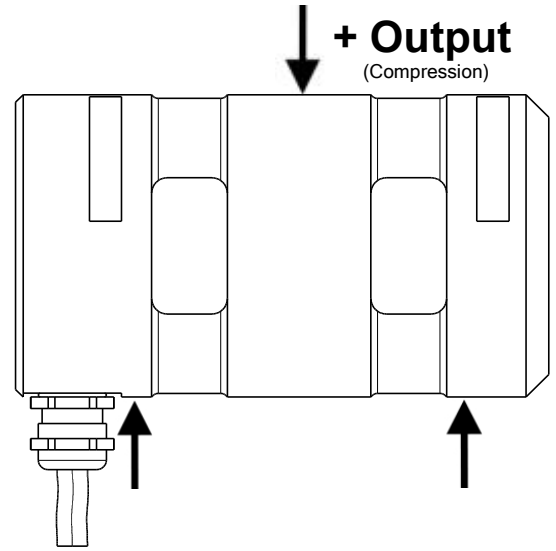
* above showed version
 The fixed dimensions don't change at the other capacity.



Marking:
 Loadpin: MBx
 Orderno.: MBx-xxx-x-x
 Serialno.: xxxxxxxx
 www.Batarow.com
 Made in Germany

Specifications: (Customizing on request)

| Dimension / Material | | |
|------------------------|--------------|-------------|
| Material | | Tool Steel |
| Protection class | | IP 66 |
| Hardness (load area) | HRC | 38 |
| Mechanical Data | | |
| Safe Load Limit | % of F.S. | 150 |
| Breaking Load | % of F.S. | 300 (**200) |
| Precision | | |
| Nonlinearity | % of F.S. | ±0,5 |
| Nonrepeatability | % of F.S. | ±0,25 |
| Hysteresis | % of F.S. | ±0,2 |
| Temp. Shift Zero | % of F.S./K. | ±0,05 |
| Temp. Shift Span | % of F.S./K. | ±0,05 |
| Temperature | | |
| Compensated Temp. | °C | -10...+60 |
| Operating Temp. | °C | -20...+70 |



Batarow
 Made in Germany

Batarow Sensorik GmbH
 Pappelweg 16
 18276 Lüssow OT Karow

Mail: info@batarow.com
 Phone: +49 (0) 3843-855555
 Fax : +49 (0) 3843-218842

Internet:
 www.batarow.com

Mounting Situation

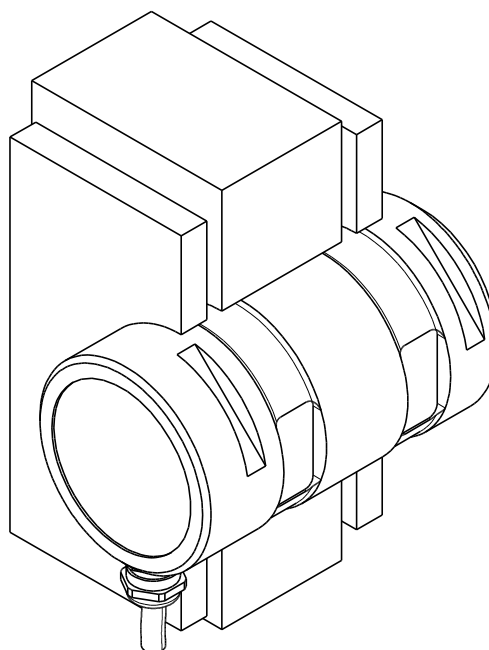
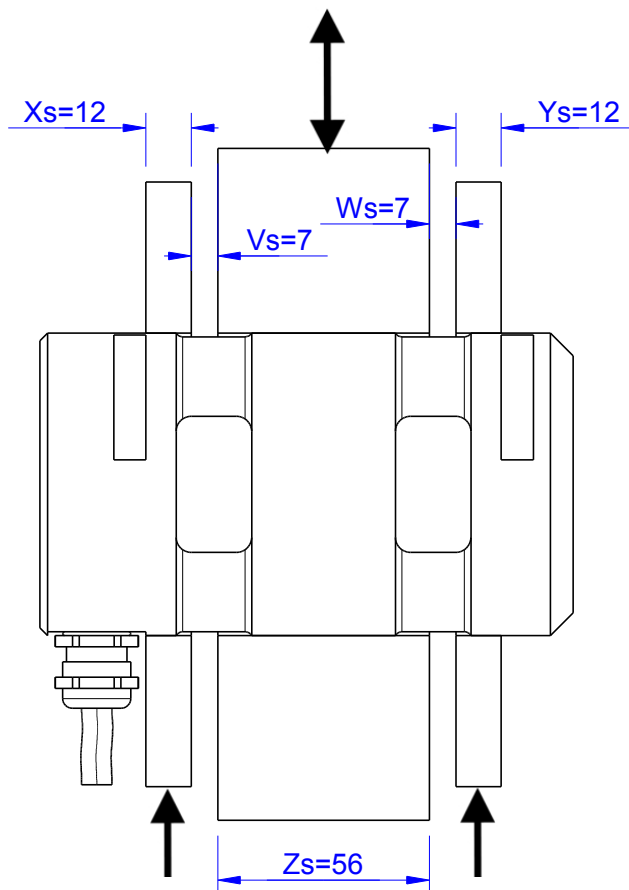
MB738 Review: A

Bore fit of mounting situation: H8

Configuration 1 (Standard)

possible Mounting Situation / Customer Mounting could vary

(Please describe Mounting situation with Vs,Ws,Xs,Ys and Zs for best possible calibration)



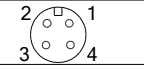
Output Signal & Wiring

Loadpin: MB738

Review: A

Analog Output mV/V (S1)

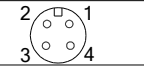
| Electrical Data | | |
|-----------------------|-----------|---------|
| Rated Output | mV/V@F.S. | 1 |
| Zero Balance | mV/V | ±0,05 |
| Exitation (Maximum) | Volt | 10 |
| Input Resistance | Ohm | 450±100 |
| Output Resistance | Ohm | 352±2 |
| Insulating Resistance | GOhm | >5 |

| | | | | |
|---|------------------------|---------------------------|---------------------|---------------------|
| Wiringcode: WC58 | | Connectortype: M12 (male) | | |
|  | Exitation (+) Pin 1 | Exitation (-) Pin 2 | Bridge (+) Pin 3 | Bridge (-) Pin 4 |

Ordernumber Add-On:
MBxxx-x-S1-x

Analog Output 1V..10V (U1)*


| Electrical Data U1 | | |
|---------------------|-----|------------|
| Output @ 0kN | V | 1±0,2 |
| Output @ F.S. | V | 10±0,2 |
| Supply Voltage | V | 24±2 |
| Current Consumption | mA | 25 (@ 24V) |
| Bandwidth | kHz | 2,2±0,2 |

| | | | |
|---|---------------------|---------------------------|-----------------|
| Wiringcode: WC36 | | Connectortype: M12 (male) | |
|  | Supply (+) Pin 1 | GND Pin 3 | Output Pin 4 |

Ordernumber Add-On:
MBxxx-x-U1-x

Analog Output 4..20mA (I1)*

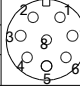
| Electrical Data I1 | | |
|---------------------|-----|------------|
| Output @ 0kN | mA | 4±0,5 |
| Output @ F.S. | mA | 20±0,5 |
| Supply Voltage | V | 24±2 |
| Current Consumption | mA | 45 (@ 24V) |
| Bandwidth | kHz | 2,2±0,2 |

| | | | |
|---|---------------------|---------------------------|-----------------|
| Wiringcode: WC36 | | Connectortype: M12 (male) | |
|  | Supply (+) Pin 1 | GND Pin 3 | Output Pin 4 |

Ordernumber Add-On:
MBxxx-x-I1-x

Analog & Digital Output 0..10V (U20)*

| Electrical Data U20 | | |
|------------------------|----|----------------|
| Output @ 0kN | V | 0 |
| Output @ F.S. | V | 10 |
| Supply Voltage | V | 11..30 |
| Current Consumption | mA | 15 (@ 24V) |
| Bandwidth | Hz | 105 |
| Switching Output | | Open Collector |
| max. Switching current | mA | 100 |

| | | | | |
|--|-------|---------------|-------|---|
| Wiringcode: WC39 | | | |  |
| Integrated Amplifier: GSV-15 | | | | |
| Cabeling: M12 Male Socket / Flanschdose (male) | | | | |
| Supply(+) | Pin 1 | Scale | Pin 5 | |
| Ground (-) | Pin 3 | Threshold | Pin 6 | |
| Output | Pin 4 | Output Ground | Pin 7 | |
| Tare | Pin 2 | | | |

Ordernumber Add-On:
MBxxx-x-U20-x

Analog & Digital Output 4..20mA (I20)*

| Electrical Data I20 | | |
|------------------------|----|----------------|
| Output @ 0kN | mA | 4 |
| Output @ F.S. | mA | 20 |
| Supply Voltage | V | 11..30 |
| Current Consumption | mA | 15 (@ 24V) |
| Bandwidth | Hz | 105 |
| Switching Output | | Open Collector |
| max. Switching current | mA | 100 |

| | | | | | |
|------------------------------|------------|--------|--------|-------|-----------|
| Wiringcode: WC24 | | | | | |
| Integrated Amplifier GSV-15I | | | | | |
| Cabeling: 3 m 3x2x0,25 | | | | | |
| Supply(+) | Ground (-) | Output | Tare | Scale | Threshold |
| brown | white | green | yellow | grey | pink |

Ordernumber Add-On:
MBxxx-x-I20-x

*Attention: With this output configuration is no negative signal (Tension) possible

Attention: Nipple orientation of connector is not fixed. In case of 90° degree connector - it is necessary to set by customer.

Batarow
Made in Germany

Batarow Sensorik GmbH
Pappelweg 16
18276 Lüssow OT Karow

Mail: info@batarow.com
Phone: +49 (0) 3843-855555
Fax : +49 (0) 3843-218842

Internet:
www.batarow.com