

MB712

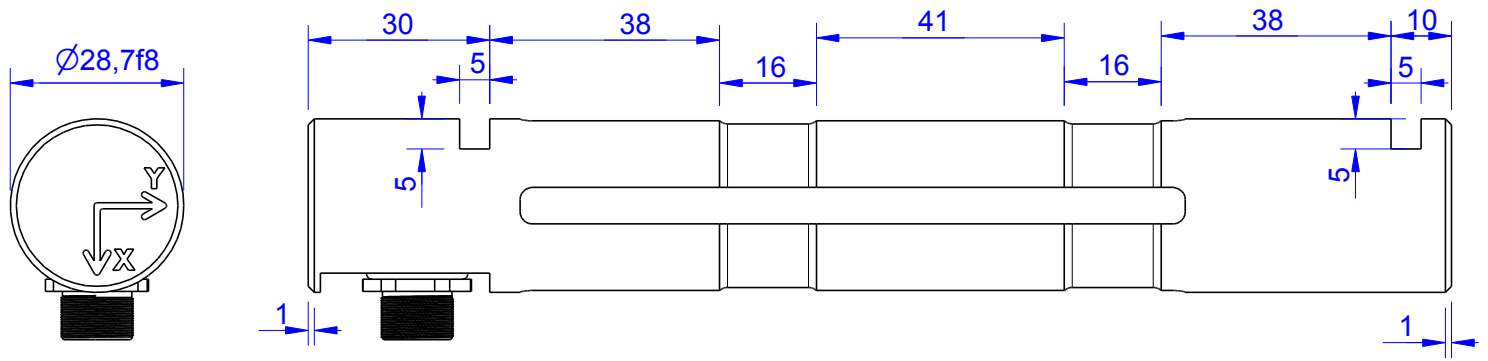
Load Pin

Content of Loadpin Datasheet

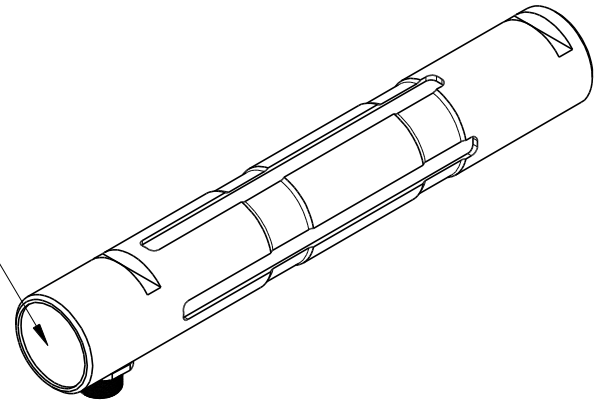
Page 1 General

Page 2 Mounting Situation

Page 3 Output Signal & Wiring



Marking:
 Loadpin: MBx
 Orderno.: MBx-xxx-x-x
 Serialno.: xxxxxxxx
 www.Batarow.com
 Made in Germany

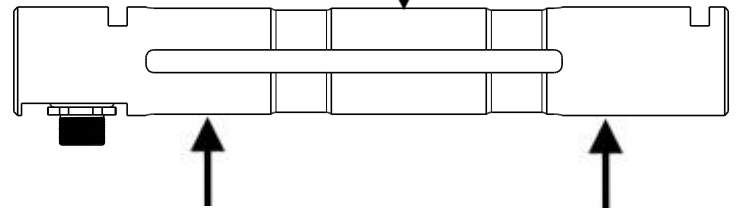


Order-number	Capacity (F.S.)	Uncertainty (k=2)	Review
MB712-2-x-B	2 kN	±0,020kN	B
MB712-5-x-B	5 kN	±0,050 kN	B
MB712-10-x-B	10 kN	±0,100 kN	B
MB712-20-x-B	20 kN	±0,200 kN	B
MB712-70-x-B*	70 kN	±0,700 kN	B

* above showed version
 The fixed dimensions don't change at the other capacity.

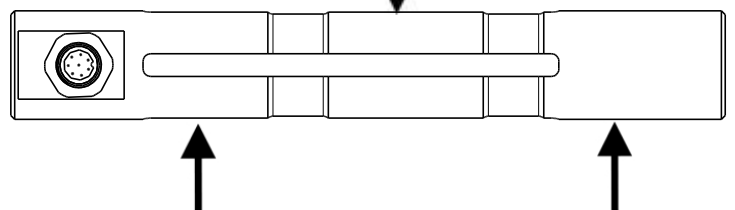
X-Axis:

- Output
 (Tension)
 + Output
 (Compression)



Y-Axis:

- Output
 (Tension)
 + Output
 (Compression)



Specifications: (Customizing on request)

Dimension / Material		
Material		Stainless Steel
Protection class		IP 66
Hardness (load area)	HRC	38
Mechanical Data		
Safe Load Limit	% of F.S.	150
Breaking Load	% of F.S.	300
Precision		
Nonlinearity	% of F.S.	±0,5
Nonrepeatability	% of F.S.	±0,25
Hysteresis	% of F.S.	±0,2
Temp. Shift Zero	% of F.S./K.	±0,05
Temp. Shift Span	% of F.S./K.	±0,05
Temperature		
Compensated Temp.	°C	-10...+60
Operating Temp.	°C	-20...+70

Batarow
 Made in Germany

Batarow Sensorik GmbH
 Pappelweg 16
 18276 Lüssow OT Karow

Mail: info@batarow.com
 Phone: +49 (0) 3843-855555
 Fax : +49 (0) 3843-218842

Internet:
 www.batarow.com

Mounting Situation

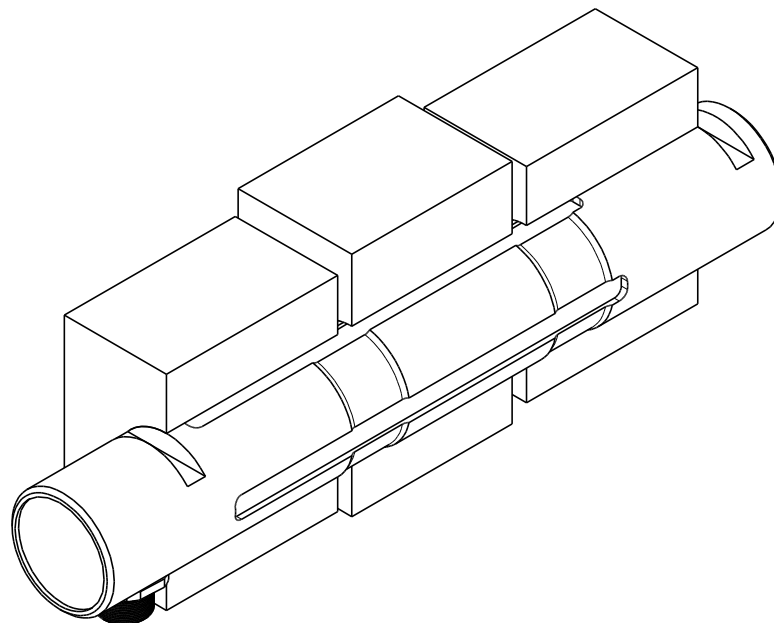
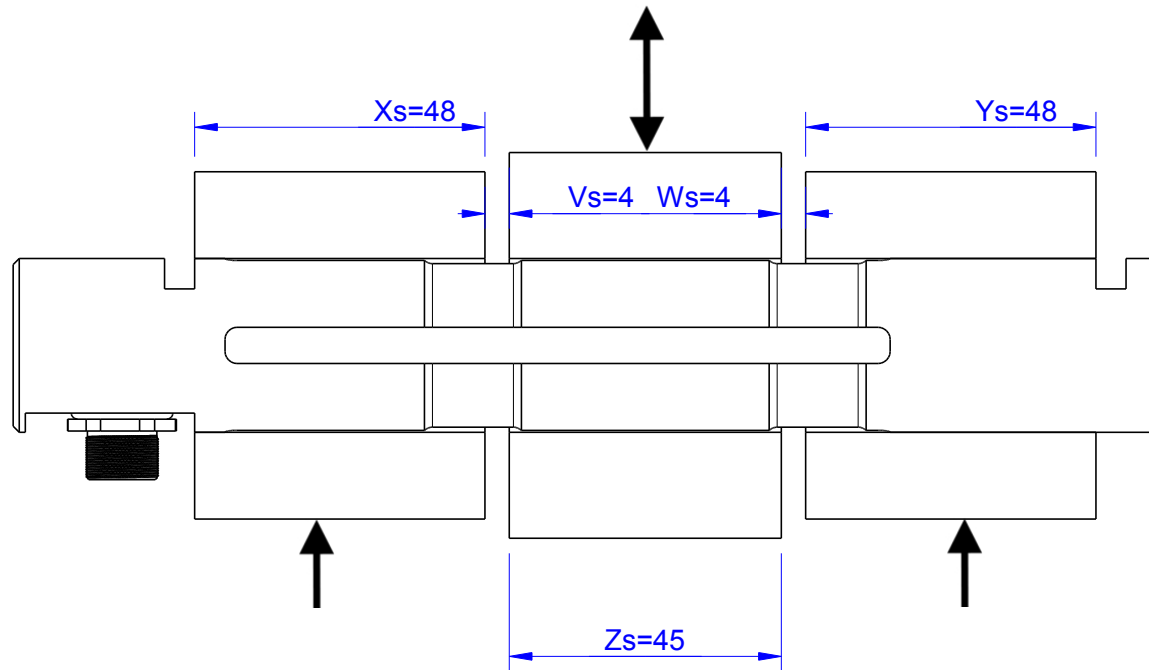
MB712 Review: B

Bore fit of mounting situation: H7

Configuration 1 (Standard)

possible Mounting Situation / Customer Mounting could vary

(Please describe Mounting situation with Vs,Ws,Xs,Ys and Zs for best possible calibration)



Output Signal & Wiring

Loadpin: MB712

Review: B

Analog Output mV/V (S1)

Electrical Data		
Rated Output	mV/V@F.S.	1
Zero Balance	mV/V	±0,05
Excitation (Maximum)	Volt	10
Input Resistance	Ohm	450±100
Output Resistance	Ohm	352±2
Insulating Resistance	GOhm	>5

Wiringcode: WC56



Cabeling: M12 Male Socket / Flanschdose (male)

+Us (Fx)	Pin 2 / brown	+Us (Fy)	Pin 6 / pink
-Us (Fx)	Pin 1 / white	-Us (Fy)	Pin 5 / grey
+Ud (Fx)	Pin 3 / green	+Ud (Fy)	Pin 7 / blue
-Ud (Fx)	Pin 4 / yellow	-Ud (Fy)	Pin 8 / red

Ordernumber Add-On:

MBxxx-x-S1-x

Attention: Nipple orientation of connector is not fixed. In case of 90° degree connector - it is necessary to set by customer.

Batarow
Made in Germany

Batarow Sensorik GmbH
Pappelweg 16
18276 Lüssow OT Karow

Mail: info@batarow.com
Phone: +49 (0) 3843-855555
Fax : +49 (0) 3843-218842

Internet:
www.batarow.com