

MB688

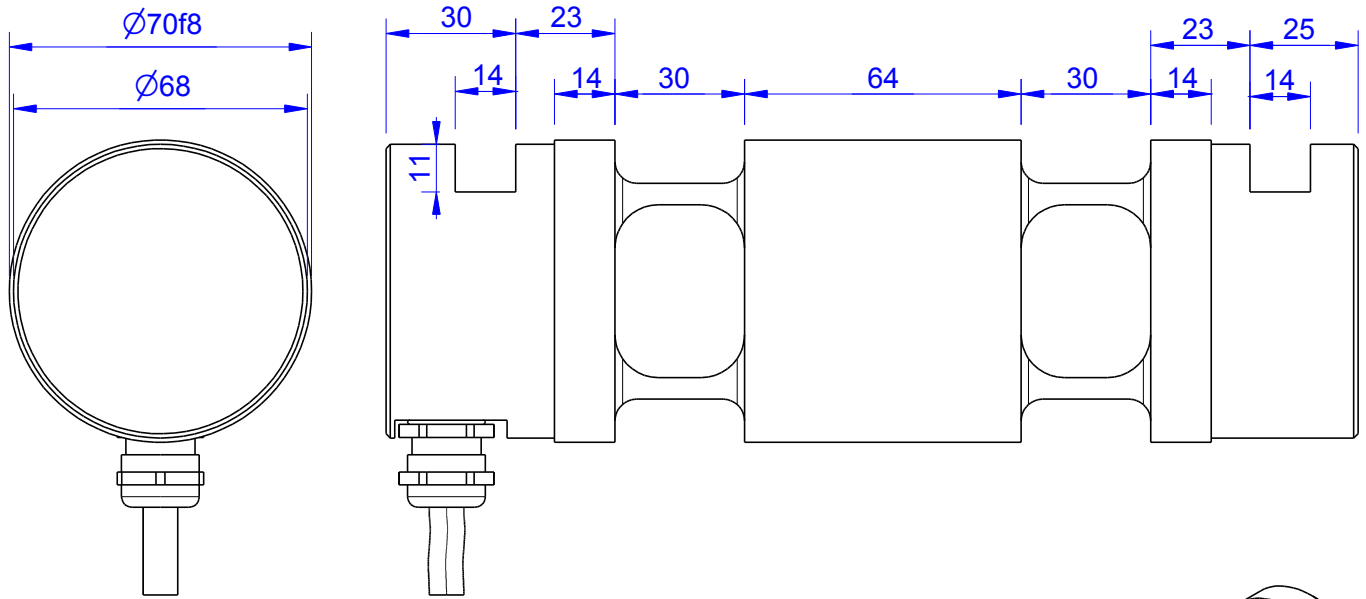
Load Pin

Content of Loadpin Datasheet

Page 1 General

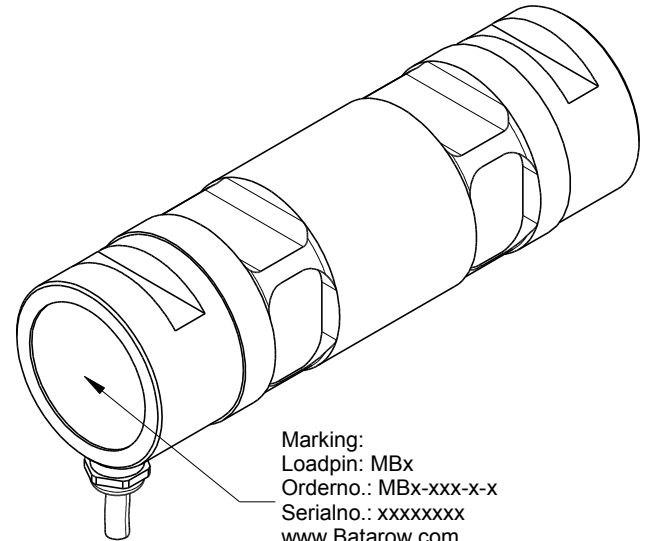
Page 2 Mounting Situation

Page 3 Output Signal & Wiring



Order-number	Capacity (F.S.)	Uncertainty (k=2)	Review
MB688-20-x-A	20 kN	±0,10kN	A
MB688-50-x-A	50 kN	±0,25 kN	A
MB688-100-x-A	100 kN	±0,50 kN	A
MB688-300-x-A*	300 kN	±1,50 kN	A
MB688-450-x-A	450 kN	±2,25 kN	A

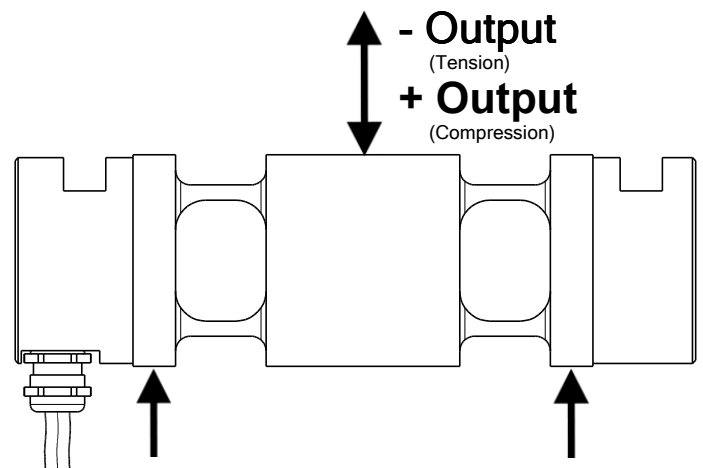
* above showed version
The fixed dimensions don't change at the other capacity.



Marking:
Loadpin: MBx
Orderno.: MBx-xxx-x-x
Serialno.: xxxxxxxx
www.Batarow.com
Made in Germany

Specifications: (Customizing on request)

Dimension / Material		
Material		Stainless Steel
Protection class		IP 68
Hardness (load area)	HRC	38
Mechanical Data		
Safe Load Limit	% of F.S.	200
Breaking Load	% of F.S.	300
Precision		
Nonlinearity	% of F.S.	±0,5
Nonrepeatability	% of F.S.	±0,25
Hysteresis	% of F.S.	±0,2
Temp. Shift Zero	% of F.S./K.	±0,05
Temp. Shift Span	% of F.S./K.	±0,05
Temperature		
Compensated Temp.	°C	-10...+60
Operating Temp.	°C	-20...+70



Batarow
Made in Germany

Batarow Sensorik GmbH
Pappelweg 16
18276 Lüssow OT Karow

Mail: info@batarow.com
Phone: +49 (0) 3843-855555
Fax : +49 (0) 3843-218842

Internet:
www.batarow.com

Mounting Situation

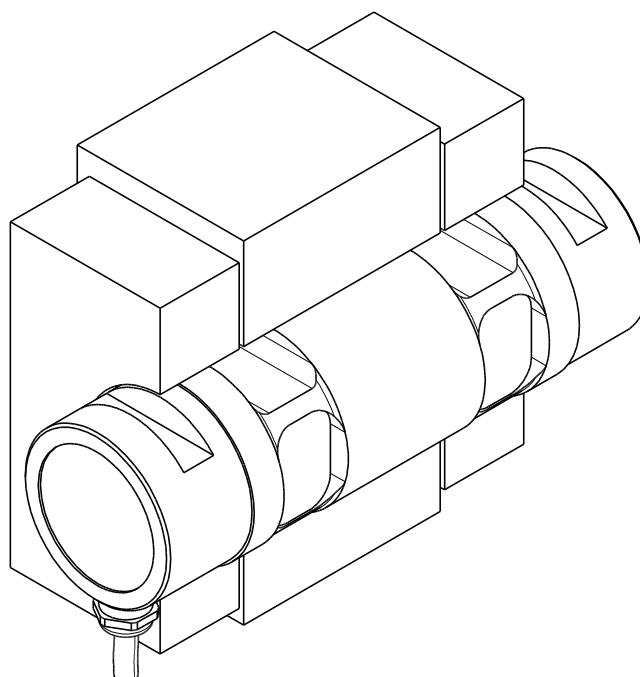
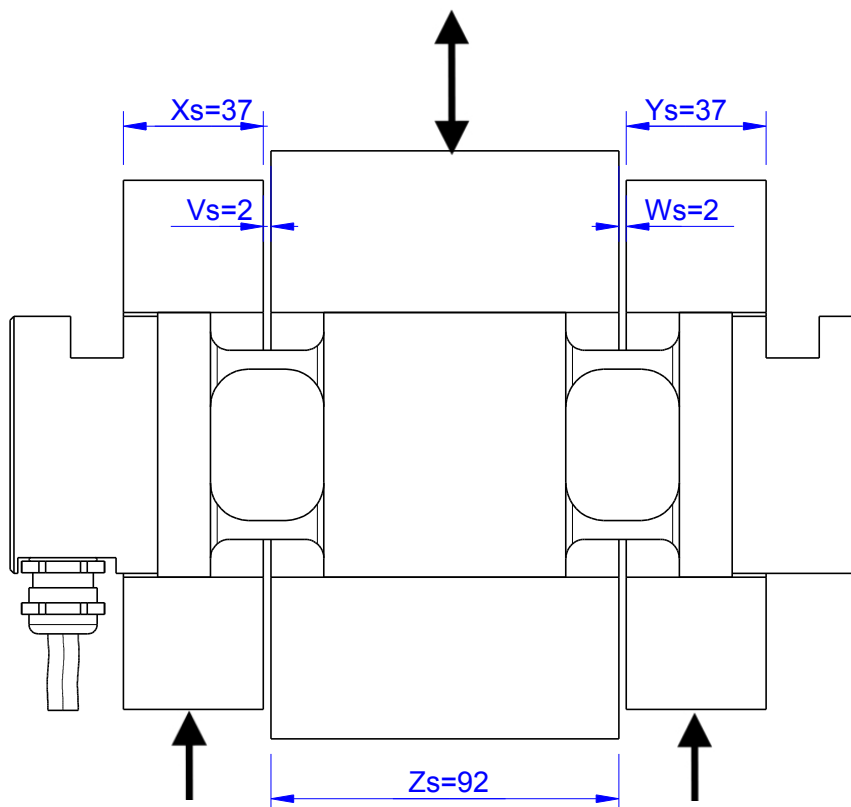
MB688 Review: A

Bore fit of mounting situation: H7

Configuration 1 (Standard)

possible Mounting Situation / Customer Mounting could vary

(Please describe Mounting situation with Vs,Ws,Xs,Ys and Zs for best possible calibration)



Output Signal & Wiring

Loadpin: MB688

Review: A

Analog Output mV/V (S1)

Electrical Data		
Rated Output	mV/V@F.S.	1
Zero Balance	mV/V	±0,05
Excitation (Maximum)	Volt	10
Input Resistance	Ohm	450±100
Output Resistance	Ohm	352±2
Insulating Resistance	GOhm	>5

Wiringcode: WC52		Cabletype: 2x2x0,25 PUR		
Cable Length	Excitation (+)	Excitation (-)	Bridge (+)	Bridge (-)
10 m	brown	white	green	yellow

Ordernumber Add-On:
MBxxx-x-S1-x