

# MB680

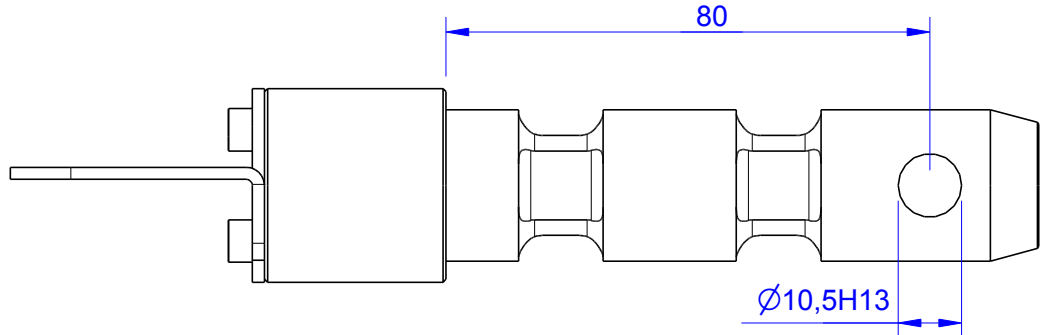
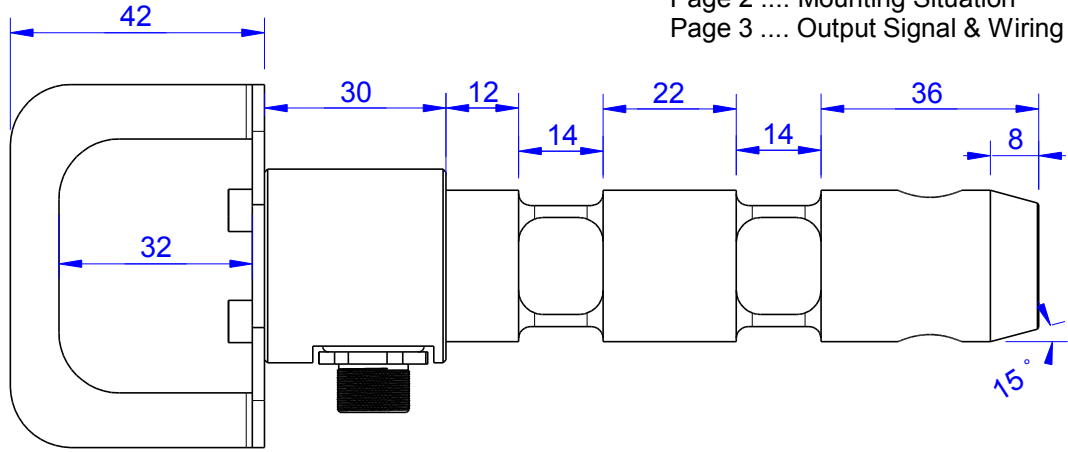
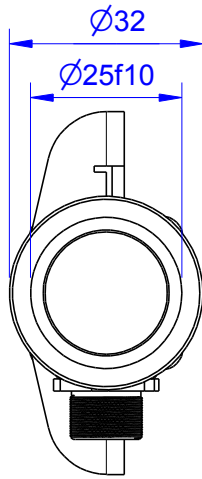
Load Pin

## Content of Loadpin Datasheet

Page 1 .... General

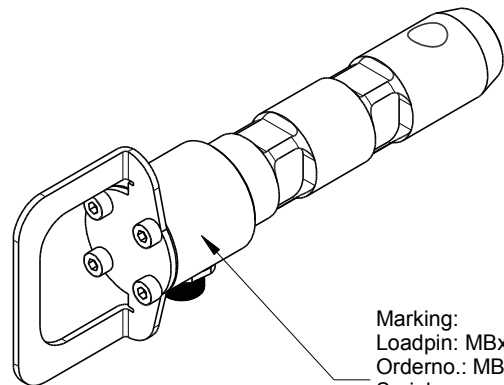
Page 2 .... Mounting Situation

Page 3 .... Output Signal & Wiring



Order-number	Capacity (F.S.)	Uncertainty (k=2)	Review
MB680-2-x-A	2 kN	±0,010kN	A
MB680-5-x-A	5 kN	±0,025 kN	A
MB680-10-x-A*	10 kN	±0,050 kN	A
MB680-20-x-A	20 kN	±0,100 kN	A
MB680-50-x-A	50 kN	±0,250 kN	A

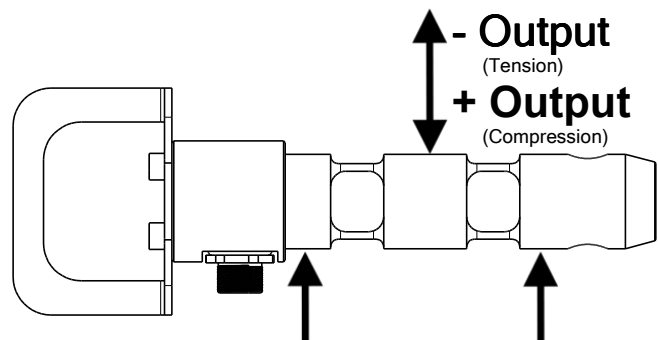
\* above showed version  
The fixed dimensions don't change at the other capacity.



Marking:  
Loadpin: MBx  
Orderno.: MBx-xxx-x-x  
Serialno.: xxxxxxxx  
www.Batarow.com  
Made in Germany

### Specifications: (Customizing on request)

Dimension / Material		Steel (zink plated)
Material		Steel (zink plated)
Protection class		IP 64
Hardness (load area)	HRC	42
<b>Mechanical Data</b>		
Safe Load Limit	% of F.S.	150
Breaking Load	% of F.S.	300
<b>Precision</b>		
Nonlinearity	% of F.S.	±0,5
Nonrepeatability	% of F.S.	±0,25
Hysteresis	% of F.S.	±0,2
Temp. Shift Zero	% of F.S./K.	±0,05
Temp. Shift Span	% of F.S./K.	±0,05
<b>Temperature</b>		
Compensated Temp.	°C	-10...+60
Operating Temp.	°C	-20...+70



**Batarow**  
Made in Germany

Batarow Sensorik GmbH  
Pappelweg 16  
18276 Lüssow OT Karow

Mail: info@batarow.com  
Phone: +49 (0) 3843-855555  
Fax : +49 (0) 3843-218842

Internet:  
www.batarow.com

# Mounting Situation

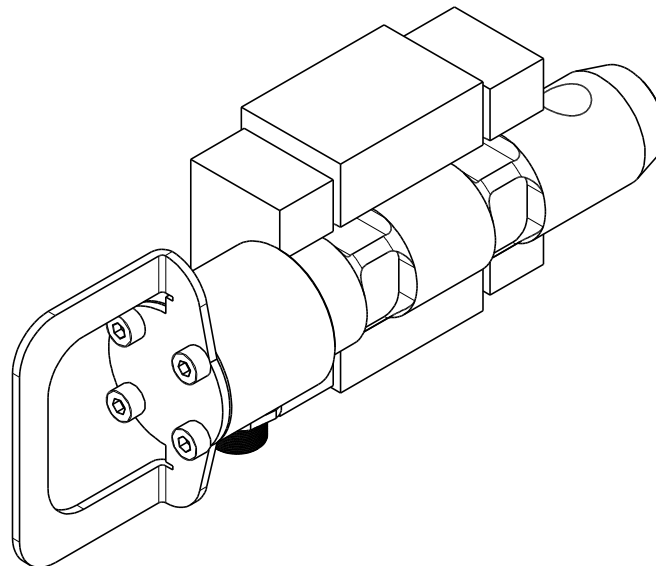
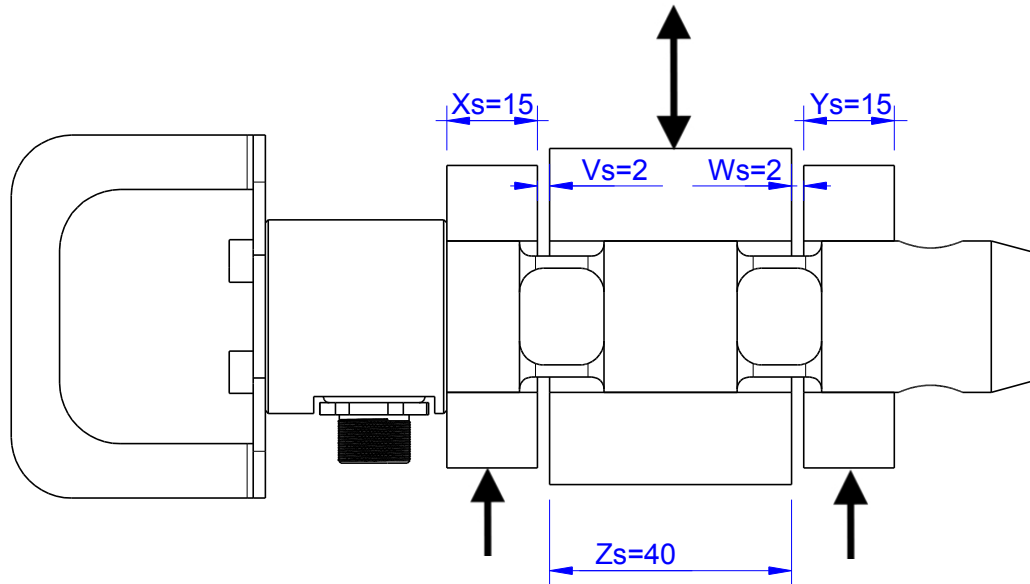
MB680 Review: A

Bore fit of mounting situation: H7

## Configuration 1 (Standard)

possible Mounting Situation / Customer Mounting could vary

(Please describe Mounting situation with Vs,Ws,Xs,Ys and Zs for best possible calibration)



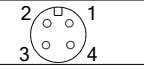
# Output Signal & Wiring

Loadpin: MB680

Review: A

## Analog Output mV/V (S1)

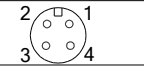
Electrical Data		
Rated Output	mV/V@F.S.	1
Zero Balance	mV/V	$\pm 0,05$
Exitation (Maximum)	Volt	10
Input Resistance	Ohm	$450\pm 100$
Output Resistance	Ohm	$352\pm 2$
Insulating Resistance	GOhm	$>5$

Wiringcode: WC58		Connectortype: M12 (male)		
	Exitation (+) Pin 1	Exitation (-) Pin 2	Bridge (+) Pin 3	Bridge (-) Pin 4

Ordernumber Add-On:  
MBxxx-x-S1-x

## Analog Output 1V..10V (U1)\*

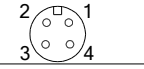
Electrical Data U1		
Output @ 0kN	V	$1\pm 0,2$
Output @ F.S.	V	$10\pm 0,2$
Supply Voltage	V	$24\pm 2$
Current Consumption	mA	25 (@ 24V)
Bandwidth	kHz	$2,2\pm 0,2$

Wiringcode: WC36		Connectortype: M12 (male)	
	Supply (+) Pin 1	GND Pin 3	Output Pin 4

Ordernumber Add-On:  
MBxxx-x-U1-x

## Analog Output 4..20mA (I1)\*

Electrical Data I1		
Output @ 0kN	mA	$4\pm 0,5$
Output @ F.S.	mA	$20\pm 0,5$
Supply Voltage	V	$24\pm 2$
Current Consumption	mA	45 (@ 24V)
Bandwidth	kHz	$2,2\pm 0,2$

Wiringcode: WC36		Connectortype: M12 (male)	
	Supply (+) Pin 1	GND Pin 3	Output Pin 4

Ordernumber Add-On:  
MBxxx-x-I1-x

\*Attention: With this output configuration is no negative signal (Tension) possible

Attention: Nipple orientation of connector is not fixed. In case of 90° degree connector - it is necessary to set by customer.

**Batarow**  
Made in Germany

Batarow Sensorik GmbH  
Pappelweg 16  
18276 Lüssow OT Karow

Mail: [info@batarow.com](mailto:info@batarow.com)  
Phone: +49 (0) 3843-855555  
Fax : +49 (0) 3843-218842

**Internet:**  
[www.batarow.com](http://www.batarow.com)