

MB677

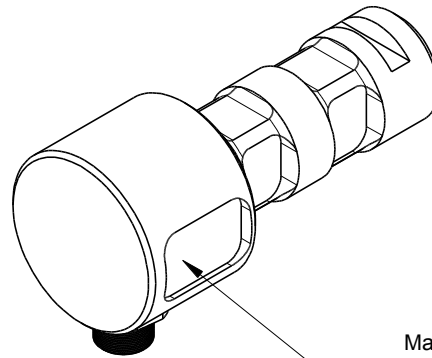
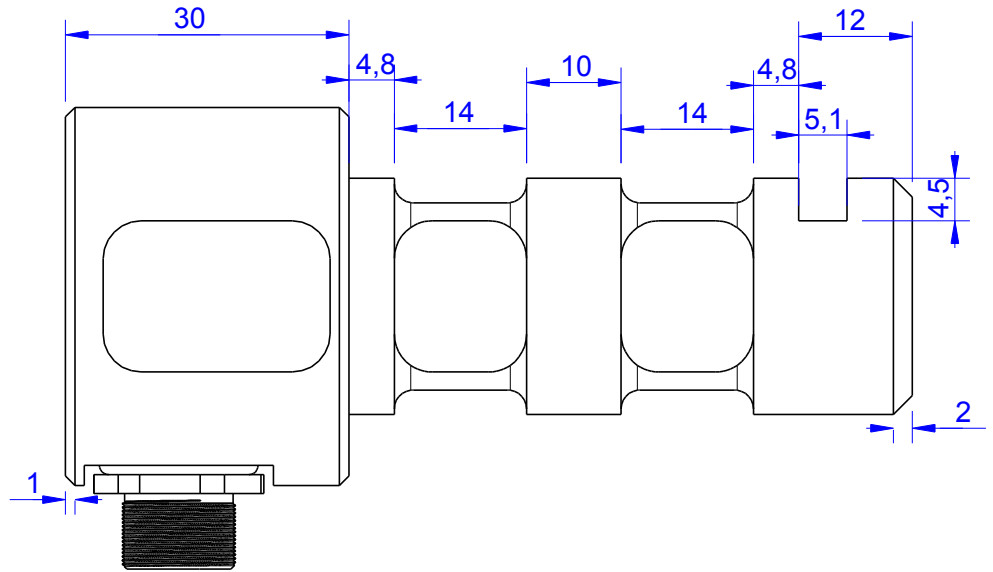
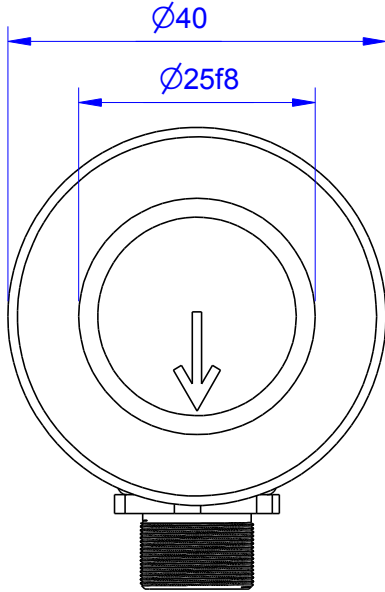
redundant Load Pin

Content of Loadpin Datasheet

Page 1 General

Page 2 Mounting Situation

Page 3 Output Signal & Wiring



Marking:
Loadpin: MBx
Orderno.: MBx-xxx-x-x
Serialno.: xxxxxxxx
www.Batarow.com
Made in Germany

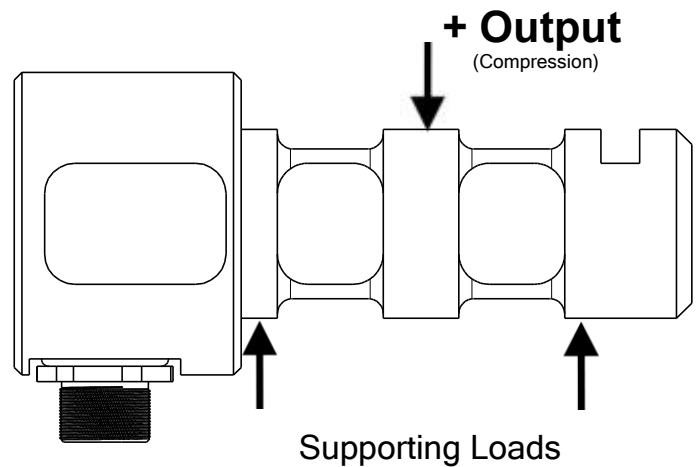
Order-number	Capacity (F.S.)	Uncertainty (k=2)	Review
MB677-2-x-A	2 kN	±0,010kN	A
MB677-5-x-A*	5 kN	±0,025 kN	A
MB677-10-x-A	10 kN	±0,050 kN	A
MB677-20-x-A	20 kN	±0,100 kN	A
MB677-50-x-A	50 kN	±0,250 kN	A

* above showed version

The fixed dimensions don't change at the other capacity.

Specifications: (Customizing on request)

Dimension / Material		
Material		Stainless Steel
Protection class		IP 66
Hardness (load area)	HRC	42
Mechanical Data		
Safe Load Limit	% of F.S.	150
Breaking Load	% of F.S.	300
Precision		
Nonlinearity	% of F.S.	±0,5
Nonrepeatability	% of F.S.	±0,25
Hysteresis	% of F.S.	±0,2
Temp. Shift Zero	% of F.S./K.	±0,05
Temp. Shift Span	% of F.S./K.	±0,05
Temperature		
Compensated Temp.	°C	-10...+60
Operating Temp.	°C	-20...+70



Batarow
Made in Germany

Batarow Sensorik GmbH
Pappelweg 16
18276 Lüssow OT Karow

Mail: info@batarow.com
Phone: +49 (0) 3843-855555
Fax : +49 (0) 3843-218842

Internet:
www.batarow.com

Mounting Situation

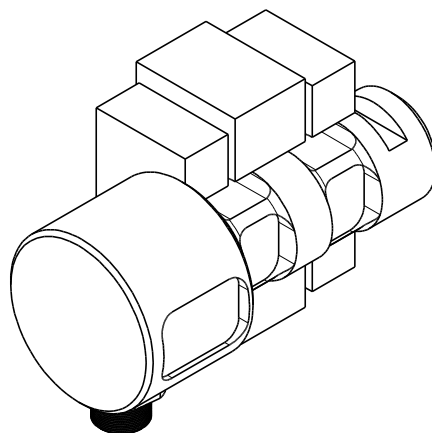
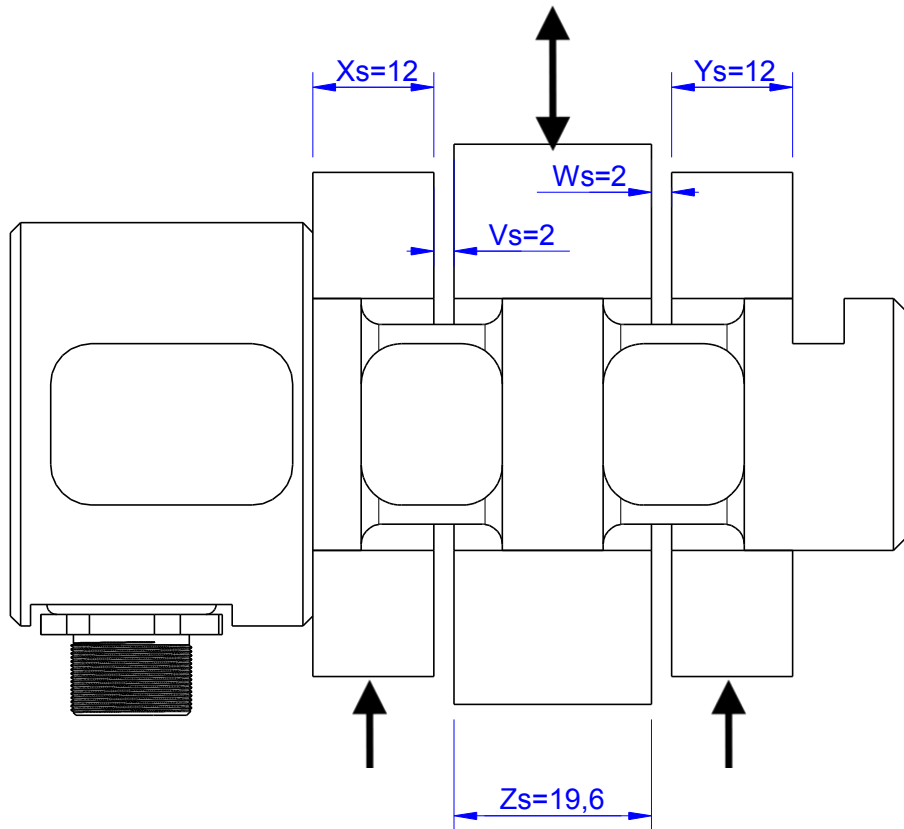
MB677 Review: A

Bore fit of mounting situation: H7

Configuration 1 (Standard)

possible Mounting Situation / Customer Mounting could vary

(Please describe Mounting situation with Vs,Ws,Xs,Ys and Zs for best possible calibration)



Output Signal & Wiring

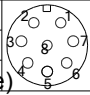
Loadpin: MB677

Review: A

Analog & Digital Output 4..20mA (I20)*

Electrical Data I20		
Output @ 0kN	mA	4
Output @ F.S.	mA	20
Supply Voltage	V	11..30
Current Consumption	mA	15 (@ 24V)
Bandwidth	Hz	105
Switching Output		n.c.
max. Switching current	mA	n.c.

Wiringcode: WC45			
Integrated Amplifier:GSV-15			
Cabeling: M12 Male Socket / Flanschstecker (male)			
Supply(+)	Pin 1		
Ground(-) 1	Pin 3	Ground(-) 2	Pin 6
Output 1	Pin 4	Output 2	Pin 7
Tare	Pin 2	Scale	Pin 5



*Attention: With this output configuration is no negative signal (Tension) possible

Attention: Nipple orientation of connector is not fixed. In case of 90° degree connector - it is necessary to set by customer.

Batarow
Made in Germany

Batarow Sensorik GmbH
Pappelweg 16
18276 Lüssow OT Karow

Mail: info@batarow.com
Phone: +49 (0) 3843-855555
Fax : +49 (0) 3843-218842

Internet:
www.batarow.com