

# MB667

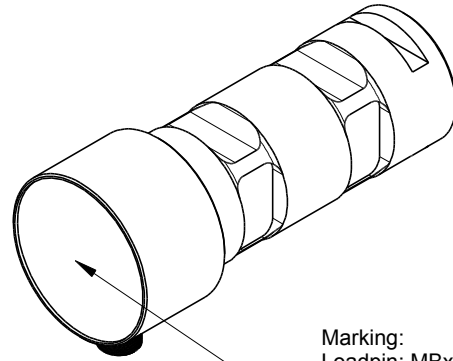
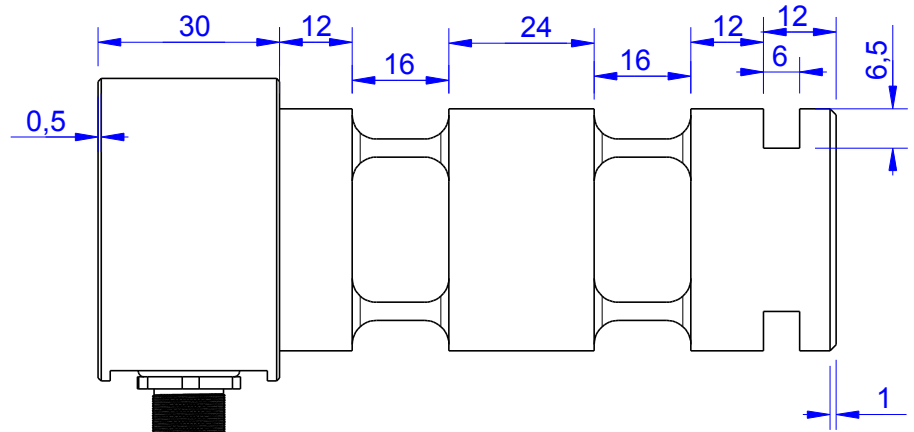
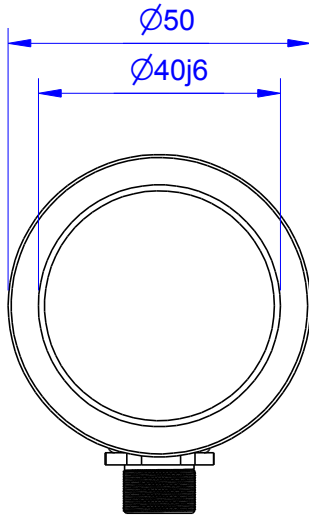
Load Pin

## Content of Loadpin Datasheed

Page 1 .... General

Page 2 .... Mounting Situation

Page 3 .... Output Signal & Wiring



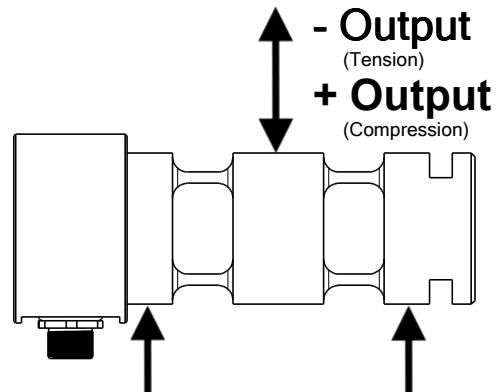
Marking:  
Loadpin: MBx  
Orderno.: MBx-xxx-x-B  
Serialno.: xxxxxxxx  
www.Batarow.com  
Made in Germany

| Order-number  | Capacity (F.S.) | Uncertainty (k=2) | Review |
|---------------|-----------------|-------------------|--------|
| MB667-10-x-B  | 10 kN           | ±0,05kN           | B      |
| MB667-20-x-B  | 20 kN           | ±0,10 kN          | B      |
| MB667-65-x-B* | 65 kN           | ±0,30 kN          | B      |
| MB667-100-x-B | 100 kN          | ±0,50 kN          | B      |
| MB667-150-x-B | 150 kN          | ±0,75kN           | B      |

\* above showed version  
The fixed dimensions don't change at the other capacity.

### Specifications: (Customizing on request)

| Dimension / Material   |              |                 |
|------------------------|--------------|-----------------|
| Material               |              | Stainless Steel |
| Protection class       |              | IP 66           |
| Hardness (load area)   | HRC          | 38              |
| <b>Mechanical Data</b> |              |                 |
| Safe Load Limit        | % of F.S.    | 150             |
| Breaking Load          | % of F.S.    | 300             |
| <b>Precision</b>       |              |                 |
| Nonlinearity           | % of F.S.    | ±0,5            |
| Nonrepeatability       | % of F.S.    | ±0,25           |
| Hysteresis             | % of F.S.    | ±0,2            |
| Temp. Shift Zero       | % of F.S./K. | ±0,05           |
| Temp. Shift Span       | % of F.S./K. | ±0,05           |
| <b>Temperature</b>     |              |                 |
| Compensated Temp.      | °C           | -10...+60       |
| Operating Temp.        | °C           | -20...+70       |



**Batarow**  
Made in Germany

Batarow Sensorik GmbH  
Pappelweg 16  
18276 Lüssow OT Karow

Mail: info@batarow.com  
Phone: +49 (0) 3843-855555  
Fax : +49 (0) 3843-218842

Internet:  
www.batarow.com

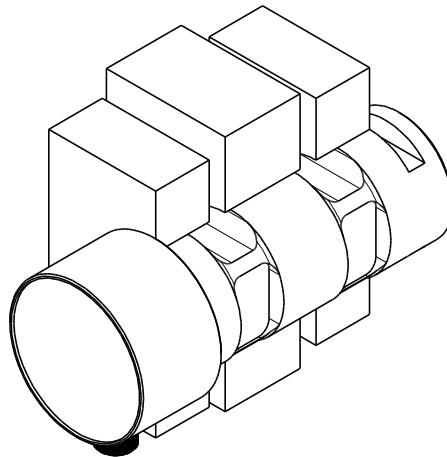
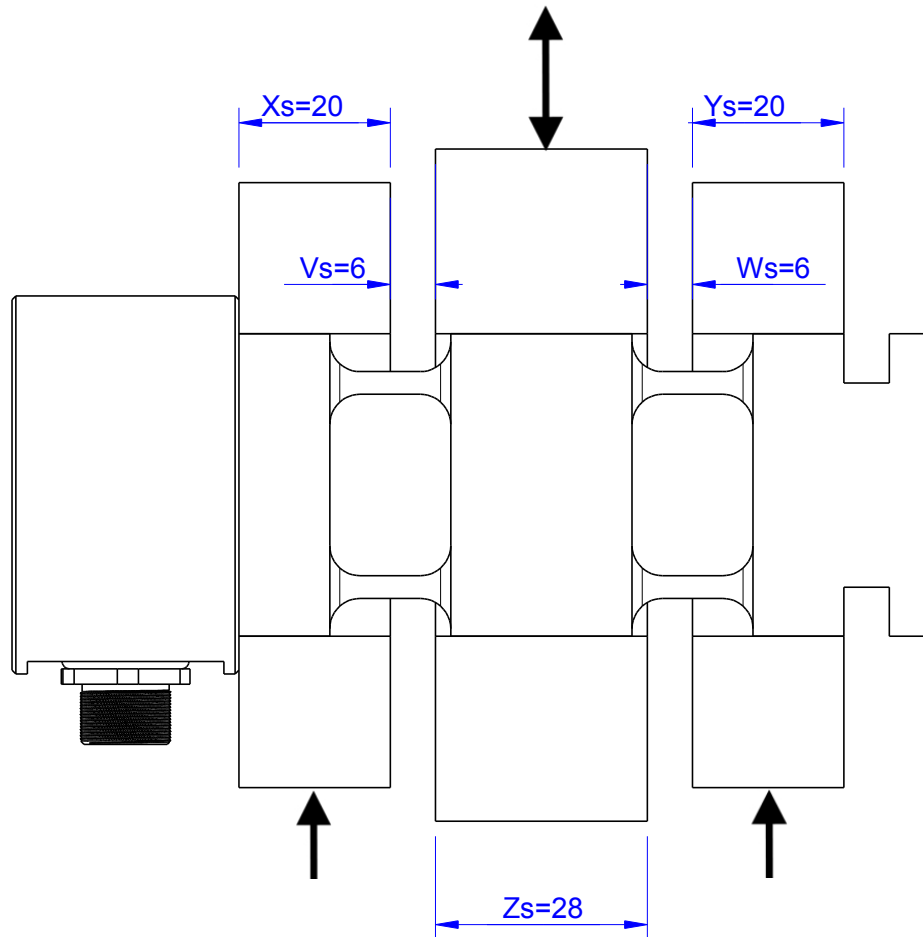
# Mounting Situation

MB667 Review: B

## Configuration 1 (Standard)

possible Mounting Situation / Customer Mounting could vary

(Please describe Mounting situation with Vs,Ws,Xs,Ys and Zs for best possible calibration)



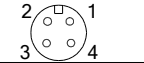
# Output Signal & Wiring

Loadpin: MB667

Review: B

## Analog Output mV/V (S1)


| Electrical Data       |           |         |
|-----------------------|-----------|---------|
| Rated Output          | mV/V@F.S. | 1       |
| Zero Balance          | mV/V      | ±0,05   |
| Excitation (Maximum)  | Volt      | 10      |
| Input Resistance      | Ohm       | 450±100 |
| Output Resistance     | Ohm       | 352±2   |
| Insulating Resistance | GOhm      | >5      |

| Wiringcode: WC58   |                         | Connectortype: M12 (male) |                     |                     |  |
|--|-------------------------|---------------------------|---------------------|---------------------|--|
|  | Excitation (+)<br>Pin 1 | Excitation (-)<br>Pin 2   | Bridge (+)<br>Pin 3 | Bridge (-)<br>Pin 4 |  |

**Ordernumber Add on:**  
**MBxx-x-S1-x**

## Analog Output 1..10V (U1)

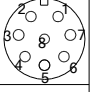
| Electrical Data U1  |     |            |
|---------------------|-----|------------|
| Output @ 0kN        | V   | 1±0,2      |
| Output @ F.S.       | V   | 10±0,2     |
| Supply Voltage      | V   | 24±2       |
| Current Consumption | mA  | 25 (@ 24V) |
| Bandwidth           | kHz | 2,2±0,2    |

| Wiringcode: WC36   |                     | Connectortype: M12 (male) |                 |  |
|--|---------------------|---------------------------|-----------------|--|
|  | Supply (+)<br>Pin 1 | GND<br>Pin 3              | Output<br>Pin 4 |  |

**Ordernumber Add on:**  
**MBxx-x-U1-x**

## Analog & Digital Output 0..10V (U20)


| Electrical Data U20    |    |                |
|------------------------|----|----------------|
| Output @ 0kN           | V  | 0              |
| Output @ F.S.          | V  | 10             |
| Supply Voltage         | V  | 11..30         |
| Current Consumption    | mA | 15 (@ 24V)     |
| Bandwidth              | Hz | 105            |
| Switching Output       |    | Open Collector |
| max. Switching current | mA | 100            |

| Wiringcode: WC39                               |       | Connectortype: M12 (male) |       |  |
|--|-------|---------------------------|-------|--|
| Integrated Amplifier: GSV-15                   |       |                           |       |  |
| Cabeling: M12 Male Socket / Flanschdose (male) |       |                           |       |  |
| Supply(+)                                      | Pin 1 | Scale                     | Pin 5 |  |
| Ground (-)                                     | Pin 3 | Threshold                 | Pin 6 |  |
| Output   | Pin 4 | Output Ground             | Pin 7 |  |
| Tare   | Pin 2 |                           |       |  |

**Ordernumber Add on:**  
**MBxx-x-U20-x**

## Analog Output 4..20mA (I1)\*

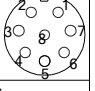
| Electrical Data I1  |     |            |
|---------------------|-----|------------|
| Output @ 0kN        | mA  | 4±0,5      |
| Output @ F.S.       | mA  | 20±0,5     |
| Supply Voltage      | V   | 24±2       |
| Current Consumption | mA  | 45 (@ 24V) |
| Bandwidth           | kHz | 2,2±0,2    |

| Wiringcode: WC36   |                     | Connectortype: M12 (male) |                 |  |
|--|---------------------|---------------------------|-----------------|--|
|  | Supply (+)<br>Pin 1 | GND<br>Pin 3              | Output<br>Pin 4 |  |

**Ordernumber Add on:**  
**MBxx-x-I1-x**

## Analog & Digital Output 4..20mA (I20)\*

| Electrical Data I20    |    |                |
|------------------------|----|----------------|
| Output @ 0kN           | mA | 4              |
| Output @ F.S.          | mA | 20             |
| Supply Voltage         | V  | 11..30         |
| Current Consumption    | mA | 15 (@ 24V)     |
| Bandwidth              | Hz | 105            |
| Switching Output       |    | Open Collector |
| max. Switching current | mA | 100            |

| Wiringcode: WC39                               |       | Connectortype: M12 (male) |       |   |
|--|-------|---------------------------|-------|---|
| Integrated Amplifier: GSV-15                   |       |                           |       |   |
| Cabeling: M12 Male Socket / Flanschdose (male) |       |                           |       |   |
| Supply(+)                                      | Pin 1 | Scale                     | Pin 5 |  |
| Ground (-)                                     | Pin 3 | Threshold                 | Pin 6 |   |
| Output   | Pin 4 | Output Ground             | Pin 7 |   |
| Tare   | Pin 2 |                           |       |   |

**Ordernumber Add on:**  
**MBxx-x-I20-x**