

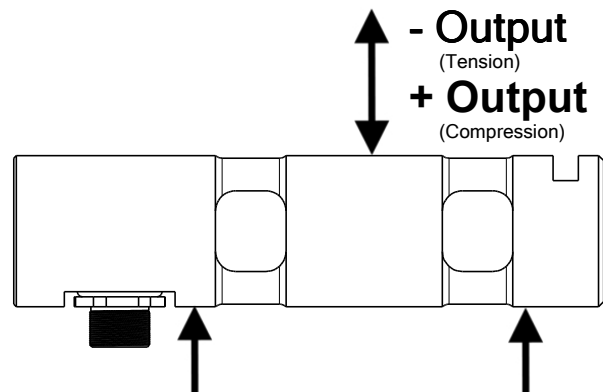
Marking:
 Loadpin: MBx
 Orderno.: MBx-xxx-x-B
 Serialno.: xxxxxxxx
 www.Batarow.com
 Made in Germany

Order-number	Capacity (F.S.)	Uncertainty (k=2)	Review
MB666-5-x-A	5 kN	±0,025kN	A
MB666-10-x-A	10 kN	±0,05 kN	A
MB666-30-x-A*	30 kN	±0,15 kN	A
MB666-50-x-A	50 kN	±0,25 kN	A
MB666-100-x-A	100 kN	±0,50 kN	A

* above showed version
 The fixed dimensions don't change at the other capacity.

Specifications: (Customizing on request)

Dimension / Material		
Material		Stainless Steel
Protection class		IP 66
Hardness (load area)	HRC	38
Mechanical Data		
Safe Load Limit	% of F.S.	150
Breaking Load	% of F.S.	300
Precision		
Nonlinearity	% of F.S.	±0,5
Nonrepeatability	% of F.S.	±0,25
Hysteresis	% of F.S.	±0,2
Temp. Shift Zero	% of F.S./K.	±0,05
Temp. Shift Span	% of F.S./K.	±0,05
Temperature		
Compensated Temp.	°C	-10...+60
Operating Temp.	°C	-20...+70



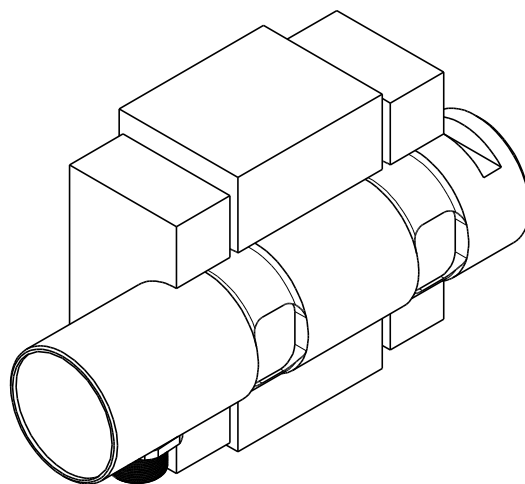
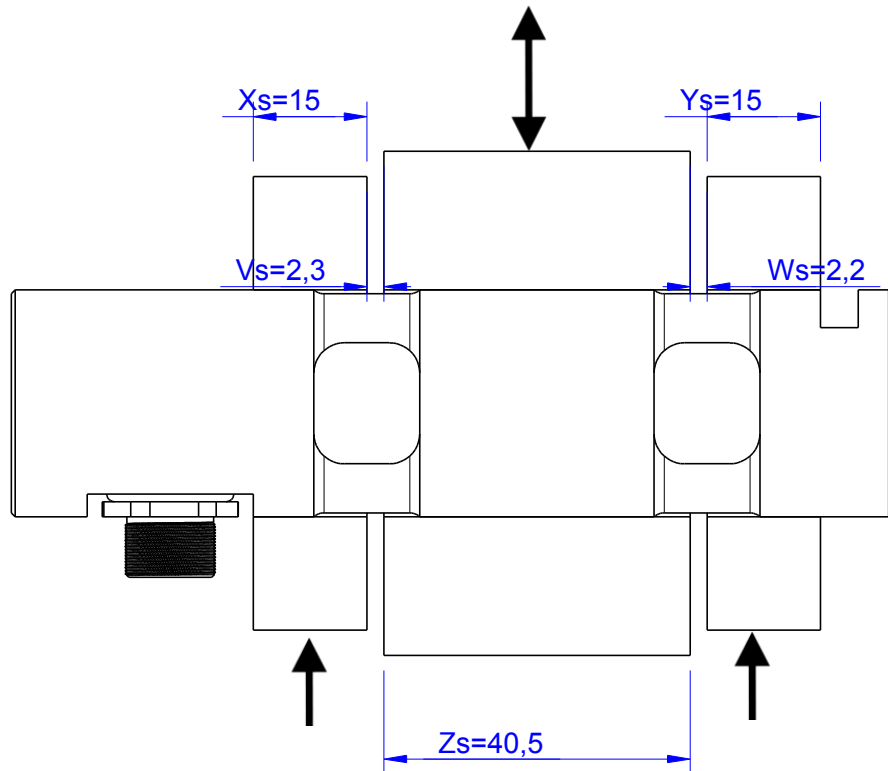
Mounting Situation

MB666 Review: A

Configuration 1 (Standard)

possible Mounting Situation / Customer Mounting could vary

(Please describe Mounting situation with Vs,Ws,Xs,Ys and Zs for best possible calibration)




Output Signal & Wiring

Loadpin: MB666

Review: A

Analog Output mV/V (S1)

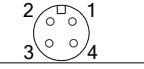
Electrical Data		
Rated Output	mV/V@F.S.	1
Zero Balance	mV/V	$\pm 0,05$
Excitation (Maximum)	Volt	10
Input Resistance	Ohm	450 ± 100
Output Resistance	Ohm	352 ± 2
Insulating Resistance	GOhm	> 5

Wiringcode: WC58		Connectortype: M12 (male)			
	Excitation (+)	Excitation (-)	Bridge (+)	Bridge (-)	
	Pin 1	Pin 2	Pin 3	Pin 4	

Ordernumber Add on:
MBxx-x-S1-x

Analog Output 1..10V (U1)


Electrical Data U1		
Output @ 0kN	V	$1 \pm 0,2$
Output @ F.S.	V	$10 \pm 0,2$
Supply Voltage	V	24 ± 2
Current Consumption	mA	25 (@ 24V)
Bandwidth	kHz	$2,2 \pm 0,2$

Wiringcode: WC36		Connectortype: M12 (male)	
	Supply (+)	GND	Output
	Pin 1	Pin 3	Pin 4

Ordernumber Add on:
MBxx-x-U1-x

Analog Output 4..20mA (I1)*

Electrical Data I1		
Output @ 0kN	mA	$4 \pm 0,5$
Output @ F.S.	mA	$20 \pm 0,5$
Supply Voltage	V	24 ± 2
Current Consumption	mA	45 (@ 24V)
Bandwidth	kHz	$2,2 \pm 0,2$

Wiringcode: WC36		Connectortype: M12 (male)	
	Supply (+)	GND	Output
	Pin 1	Pin 3	Pin 4

Ordernumber Add on:
MBxx-x-I1-x