

MB636

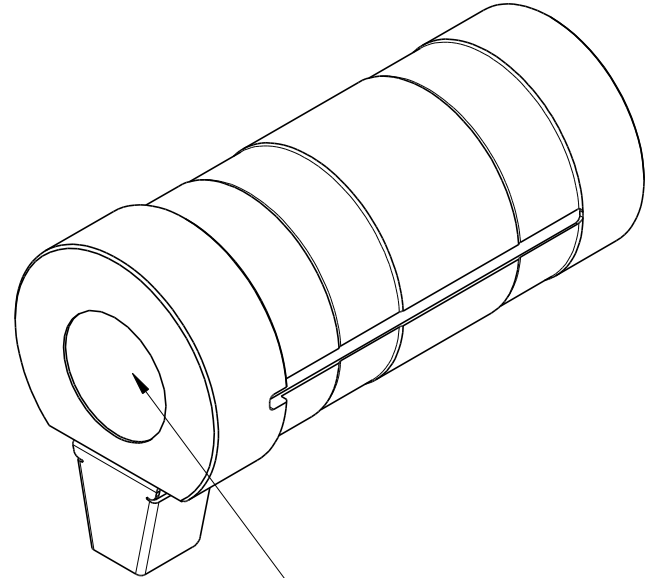
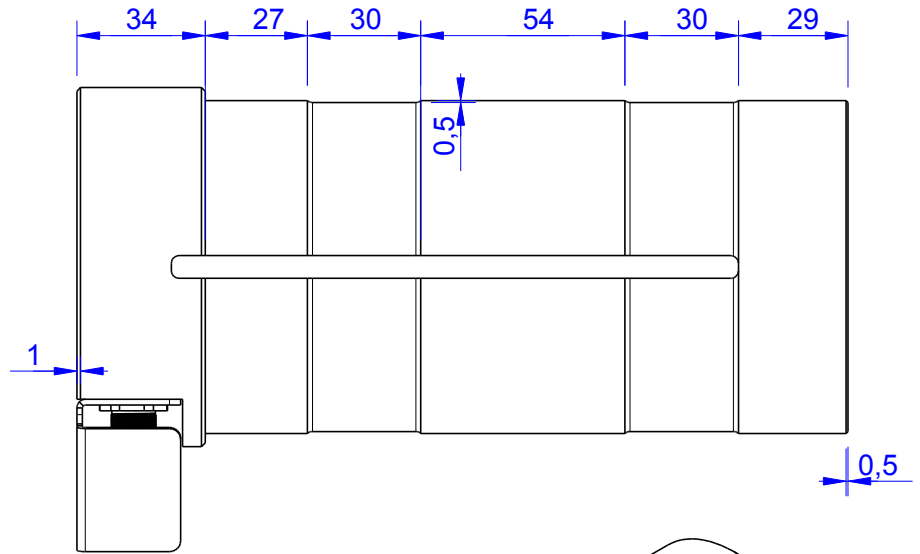
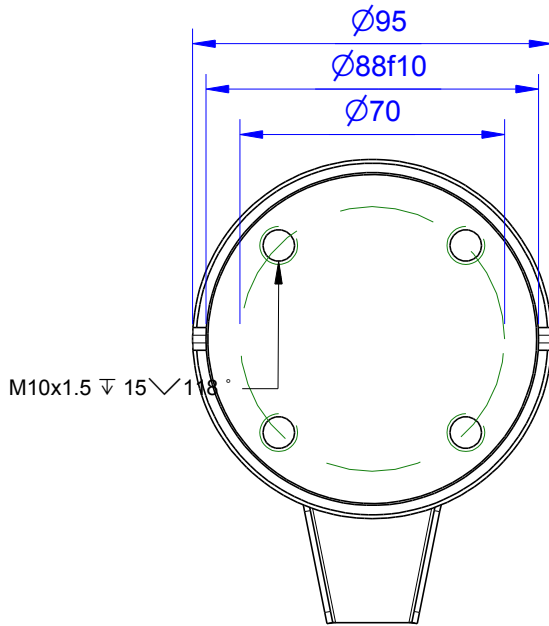
Load Pin

Content of Loadpin Datasheet

Page 1 General

Page 2 Mounting Situation

Page 3 Output Signal & Wiring

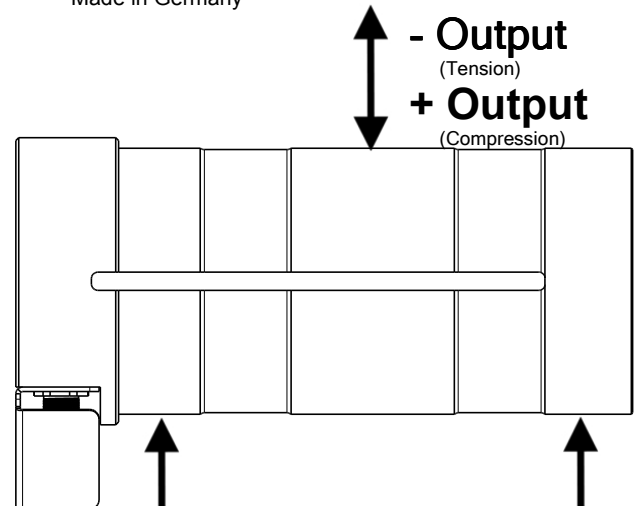


Marking:
Loadpin: MB636
Orderno.: MB636-xxx-x-A
Serialno.: xxxxxxxx
www.Batarow.com
Made in Germany

Order-number	Capacity (F.S.)	Uncertainty (k=2)	Review
MB636-1400-x-A	1400 kN	±7kN	A

Specifications: (Customizing on request)

Dimension / Material		
Material		HS Steel
Protection class		IP 66
Hardness (load area)	HRC	50
Mechanical Data		
Safe Load Limit	% of F.S.	105
Breaking Load	% of F.S.	200
Precision		
Nonlinearity	% of F.S.	±0,5
Nonrepeatability	% of F.S.	±0,25
Hysteresis	% of F.S.	±0,2
Temp. Shift Zero	% of F.S./K.	±0,05
Temp. Shift Span	% of F.S./K.	±0,05
Temperature		
Compensated Temp.	°C	-10...+60
Operating Temp.	°C	-20...+70



Batarow
Made in Germany

Batarow Sensorik GmbH
Pappelweg 16
18276 Lüssow OT Karow

Mail: info@batarow.com
Phone: +49 (0) 3843-855555
Fax : +49 (0) 3843-218842

Internet:
www.batarow.com

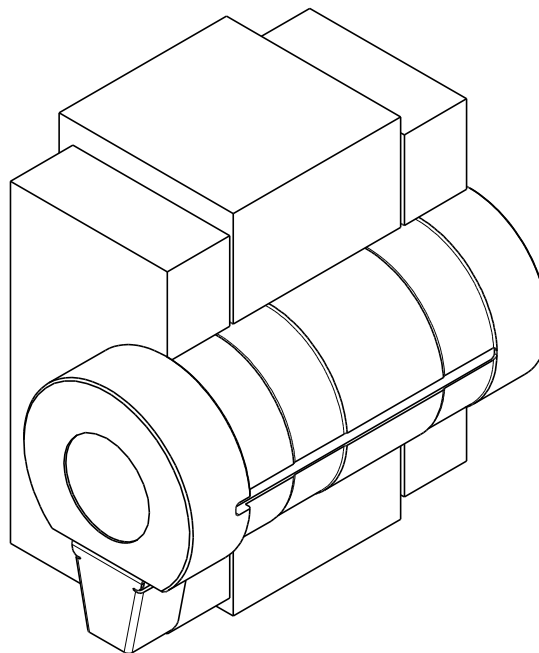
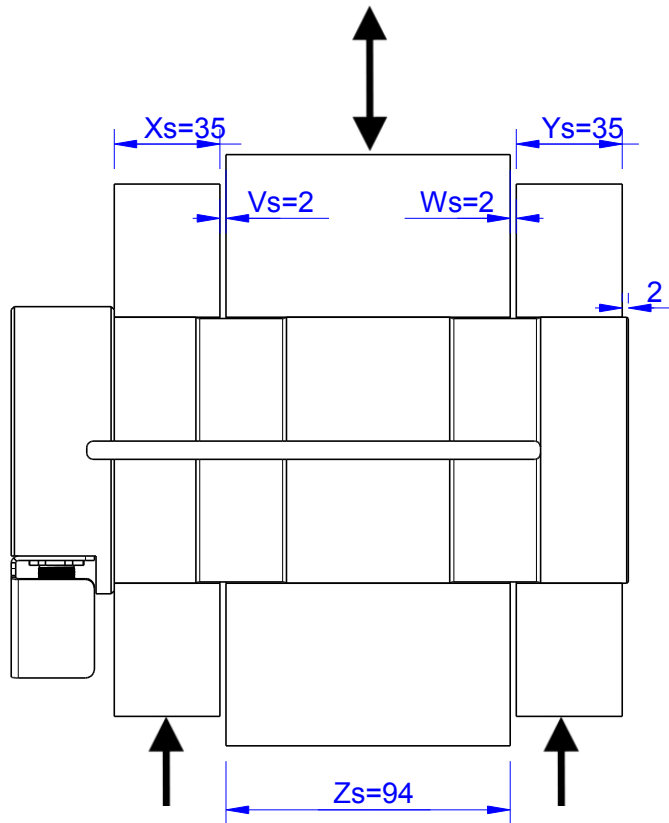
Mounting Situation

MB636 Review: A

Configuration 1 (Standard)

possible Mounting Situation / Customer Mounting could vary

(Please describe Mounting situation with Vs,Ws,Xs,Ys and Zs for best possible calibration)



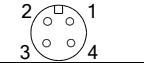
Output Signal & Wiring

Loadpin: MB636

Review: A

Analog Output mV/V (S1)


Electrical Data		
Rated Output	mV/V@F.S.	2
Zero Balance	mV/V	±0,05
Excitation (Maximum)	Volt	10
Input Resistance	Ohm	450±100
Output Resistance	Ohm	352±2
Insulating Resistance	GOhm	>5

Wiringcode: WC58		Connectortype: M12 (male)			
	Excitation (+) Pin 1	Excitation (-) Pin 2	Bridge (+) Pin 3	Bridge (-) Pin 4	

Ordernumber Add on:
MBxx-x-S1-x

Analog Output 1..10V (U1)

Electrical Data U1		
Output @ 0kN	V	1±0,2
Output @ F.S.	V	10±0,2
Supply Voltage	V	24±2
Current Consumption	mA	25 (@ 24V)
Bandwidth	kHz	2,2±0,2

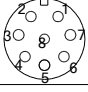
Wiringcode: WC36		Connectortype: M12 (male)		
	Supply (+) Pin 1	GND Pin 3	Output Pin 4	

Ordernumber Add on:
MBxx-x-U1-x

Analog & Digital Output 0..10V (U20)

Electrical Data U20		
Output @ 0kN	V	0
Output @ F.S.	V	10
Supply Voltage	V	11..30
Current Consumption	mA	15 (@ 24V)
Bandwidth	Hz	105
Switching Output		Open Collector
max. Switching current	mA	100


Wiringcode: WC39				
Integrated Amplifier: GSV-15				
Cabeling: M12 Male Socket / Flanschdose (male)				
Supply(+)	Pin 1	Scale	Pin 5	
Ground (-)	Pin 3	Threshold	Pin 6	
Output	Pin 4	Output Ground	Pin 7	
Tare	Pin 2			



Ordernumber Add on:
MBxx-x-U20-x

Analog Output 4..20mA (I1)*

Electrical Data I1		
Output @ 0kN	mA	4±0,5
Output @ F.S.	mA	20±0,5
Supply Voltage	V	24±2
Current Consumption	mA	45 (@ 24V)
Bandwidth	kHz	2,2±0,2


Wiringcode: WC36		Connectortype: M12 (male)		
	Supply (+) Pin 1	GND Pin 3	Output Pin 4	

Ordernumber Add on:
MBxx-x-I1-x

Analog & Digital Output 4..20mA (I20)*

Electrical Data I20		
Output @ 0kN	mA	4
Output @ F.S.	mA	20
Supply Voltage	V	11..30
Current Consumption	mA	15 (@ 24V)
Bandwidth	Hz	105
Switching Output		Open Collector
max. Switching current	mA	100

Wiringcode: WC39				
Integrated Amplifier: GSV-15				
Cabeling: M12 Male Socket / Flanschdose (male)				
Supply(+)	Pin 1	Scale	Pin 5	
Ground (-)	Pin 3	Threshold	Pin 6	
Output	Pin 4	Output Ground	Pin 7	
Tare	Pin 2			



Ordernumber Add on:
MBxx-x-I20-x