

MB634

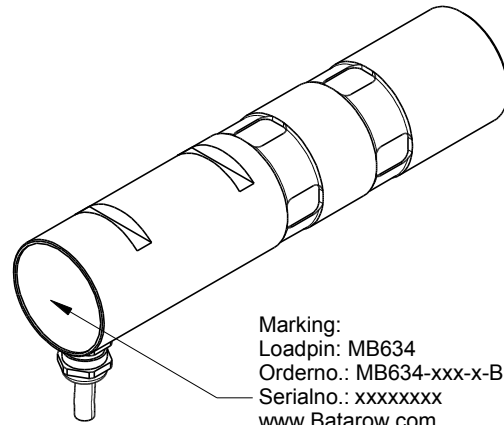
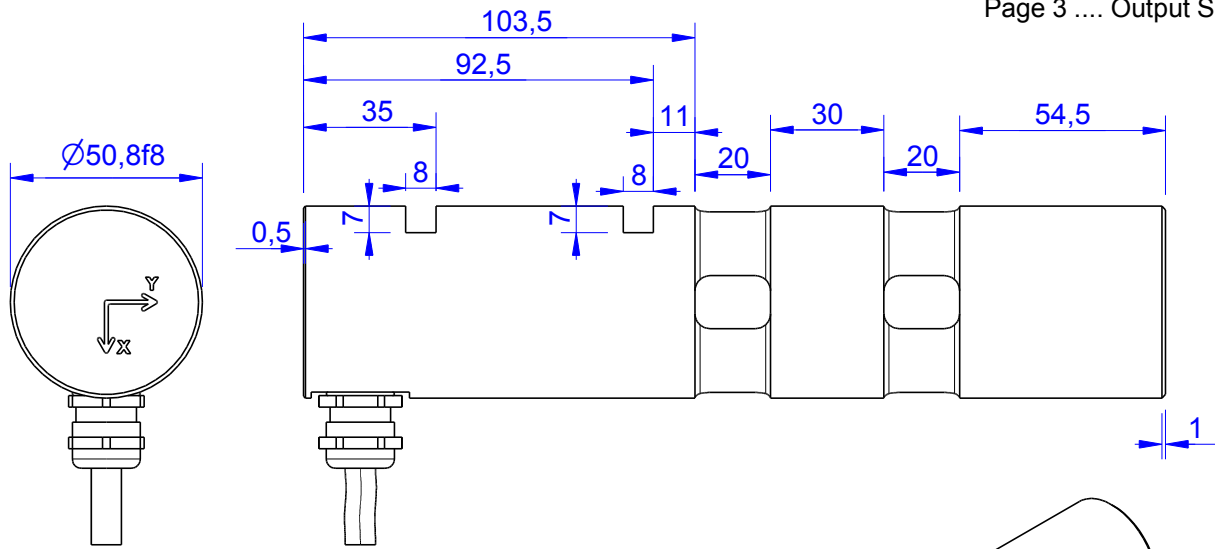
2-Axis Load Pin

Content of Loadpin Datasheet

Page 1 General

Page 2 Mounting Situation

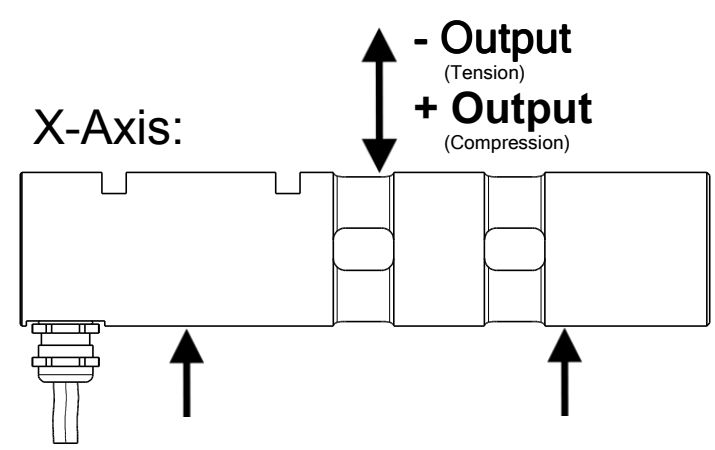
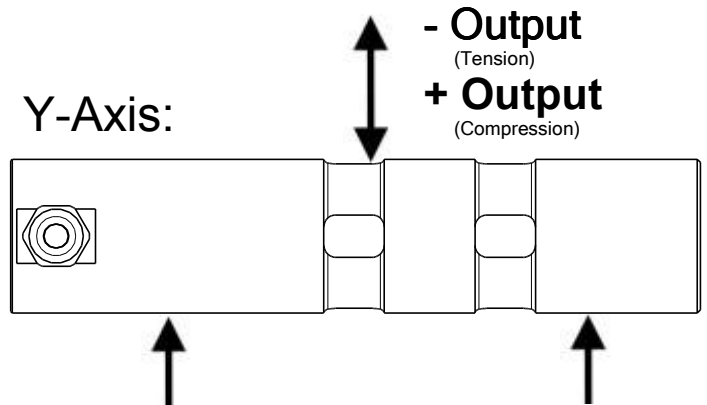
Page 3 Output Signal & Wiring



Marking:
 Loadpin: MB634
 Orderno.: MB634-xxx-x-B
 Serialno.: xxxxxxxx
 www.Batarow.com
 Made in Germany

Order-number	Capacity (F.S.)	Uncertainty (k=2)	Review
MB634-100-x-B	100 kN	±1,0kN	B
MB634-200-x-B	200 kN	±2,0 kN	B

* above showed version
 The fixed dimensions don't change at the other capacity.



Specifications: (Customizing on request)

Dimension / Material		
Material		Stainless Steel
Protection class		IP 66
Hardness (load area)	HRC	38
Mechanical Data		
Safe Load Limit	% of F.S.	150
Breaking Load	% of F.S.	300
Precision		
Nonlinearity	% of F.S.	±0,5
Nonrepeatability	% of F.S.	±0,25
Hysteresis	% of F.S.	±0,2
Temp. Shift Zero	% of F.S./K.	±0,05
Temp. Shift Span	% of F.S./K.	±0,05
Temperature		
Compensated Temp.	°C	-10...+60
Operating Temp.	°C	-20...+70

Batarow
 Made in Germany

Batarow Sensorik GmbH
 Pappelweg 16
 18276 Lüssow OT Karow

Mail: info@batarow.com
 Phone: +49 (0) 3843-855555
 Fax : +49 (0) 3843-218842

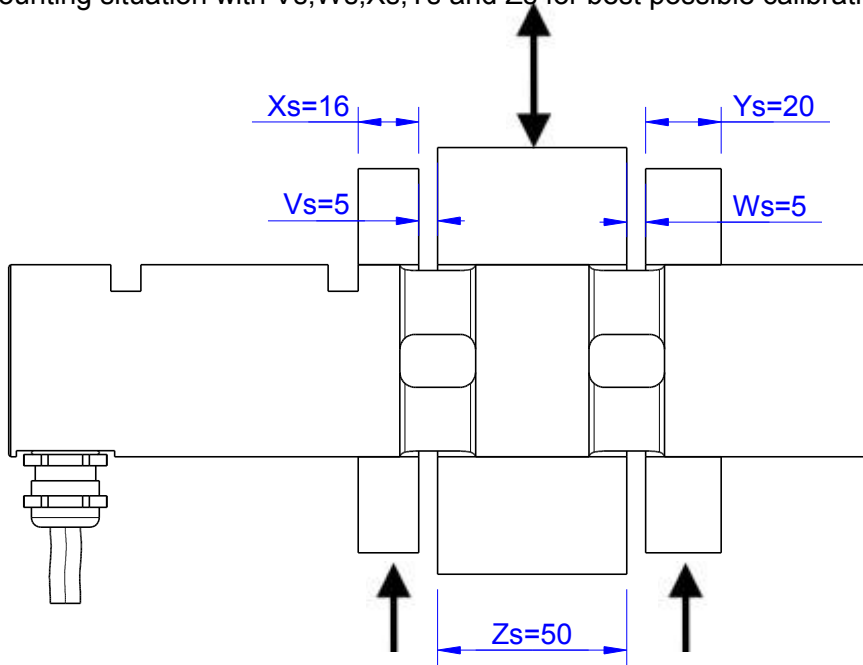
Internet:
 www.batarow.com

Mounting Situation

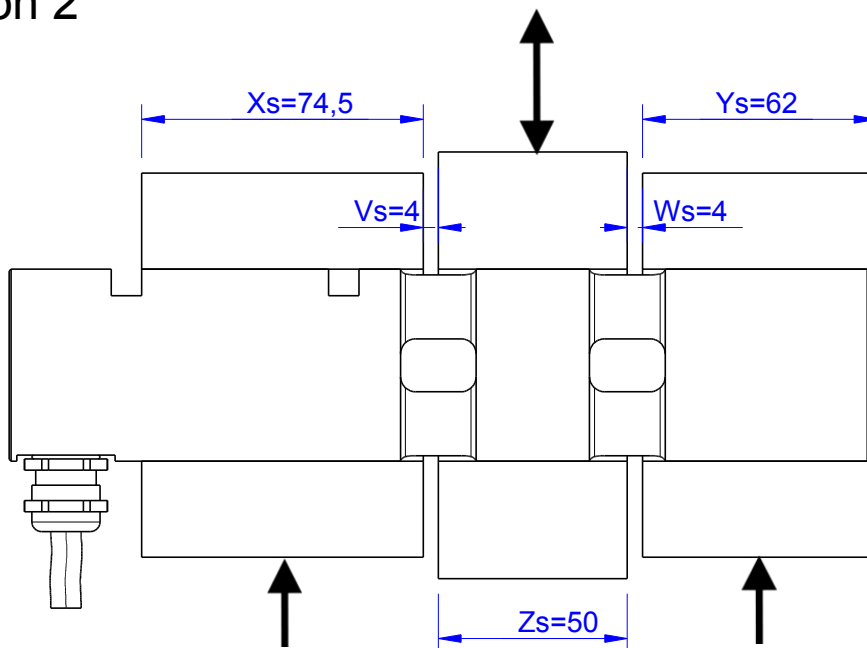
MB634 Review: B

Configuration 1 (Standard)

possible Mounting Situation / Customer Mounting could vary
(Please describe Mounting situation with Vs,Ws,Xs,Ys and Zs for best possible calibration)



Configuration 2



Output Signal & Wiring

Loadpin: MB634

Review: A

Analog Output mV/V (S1)

Electrical Data		
Rated Output	mV/V@F.S.	1
Zero Balance	mV/V	±0,05
Excitation (Maximum)	Volt	10
Input Resistance	Ohm	800±200
Output Resistance	Ohm	705±5
Insulating Resistance	GOhm	>5

Ordernumber Add on:
MB634-x-S1-x

Wiringcode: WC59			
Cabeling: 5m 4x2x025 PUR			
+Us (Fx)	brown	+Us (Fy)	pink
-Us (Fx)	white	-Us (Fy)	grey
+Ud (Fx)	green	+Ud (Fy)	blue
-Ud (Fx)	yellow	-Ud (Fy)	red