

# MB610

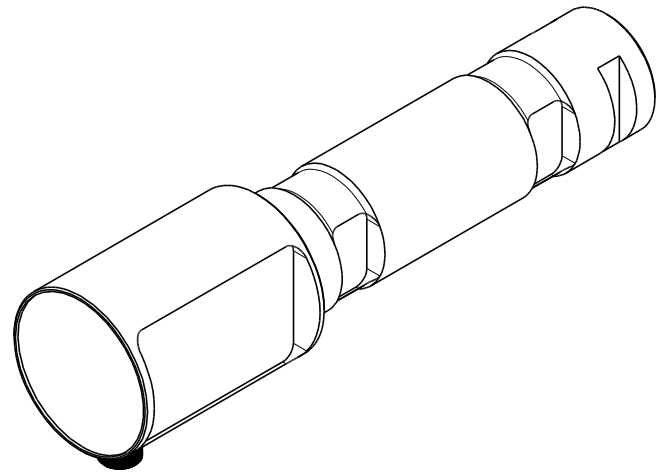
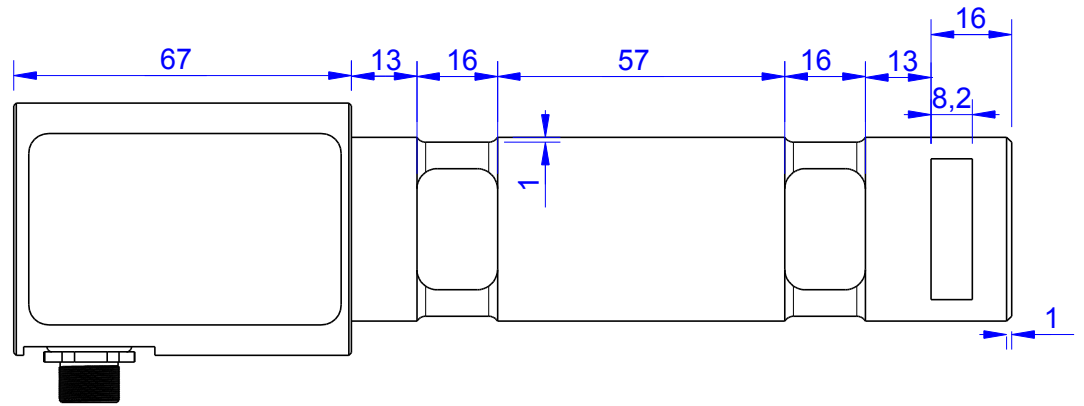
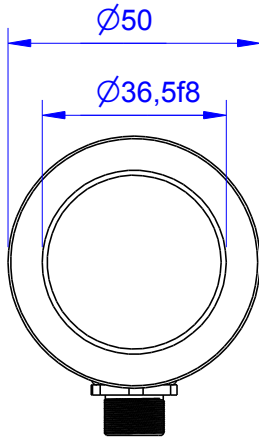
Load Pin

## Content of Loadpin Datasheet

Page 1 .... General

Page 2 .... Mounting Situation

Page 3 .... Output Signal & Wiring



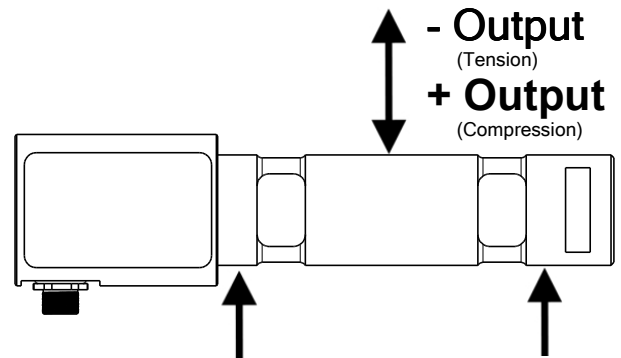
Order-number	Capacity (F.S.)	Uncertainty (k=2)	Review
MB610-5-x-A	5 kN	±0,025kN	A
MB610-10-x-A	10 kN	±0,05 kN	A
MB610-20-x-A	20 kN	±0,10 kN	A
MB610-50-x-A*	50 kN	±0,25 kN	A
MB610-100-x-A	120 kN	±0,60 kN	A

\* above showed version

The fixed dimensions don't change at the other capacity.

### Specifications: (Customizing on request)

Dimension / Material		
Material		Stainless Steel
Protection class		IP 66
Hardness (load area)	HRC	38
<b>Mechanical Data</b>		
Safe Load Limit	% of F.S.	150
Breaking Load	% of F.S.	300
<b>Precision</b>		
Nonlinearity	% of F.S.	±0,5
Nonrepeatability	% of F.S.	±0,25
Hysteresis	% of F.S.	±0,2
Temp. Shift Zero	% of F.S./K.	±0,05
Temp. Shift Span	% of F.S./K.	±0,05
<b>Temperature</b>		
Compensated Temp.	°C	-10...+60
Operating Temp.	°C	-20...+70



**Batarow**  
Made in Germany

Batarow Sensorik GmbH  
Pappelweg 16  
18276 Lüssow OT Karow

Mail: info@batarow.com  
Phone: +49 (0) 3843-855555  
Fax : +49 (0) 3843-218842

Internet:  
www.batarow.com

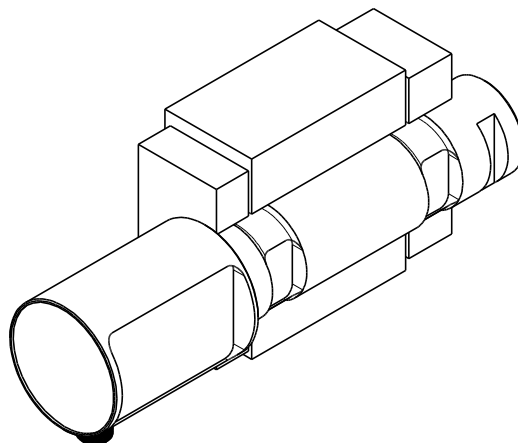
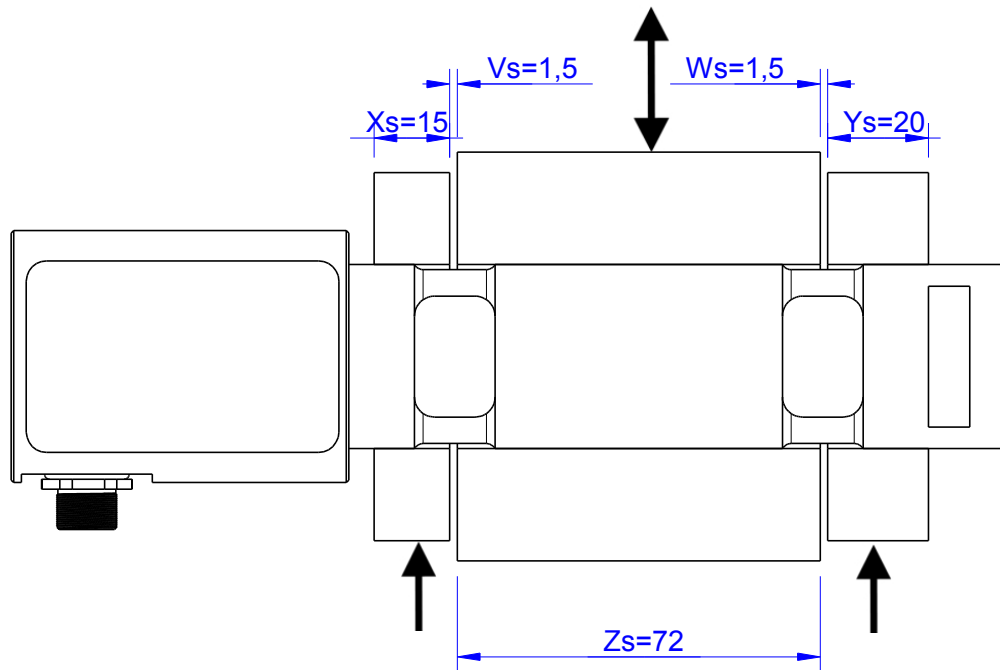
# Mounting Situation

MB610 Review: A

## Configuration 1 (Standard)

possible Mounting Situation / Customer Mounting could vary

(Please describe Mounting situation with Vs,Ws,Xs,Ys and Zs for best possible calibration)



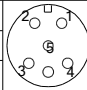
# Output Signal & Wiring

Loadpin: MB610

Review: A

## Digital Output CAN(CAN1)

Electrical Data CAN1		
Output @ Bit	Bit	32768
Output @ F.S.	Bit	65536
Supply Voltage	V	11..28
Current Consumption	mA	15 (@ 24V)
Bandwidth	Hz	1200
Switching Output		not connected
max. Switching current	mA	not connected

Wiringcode: WC39			
Integrated Amplifier GSV-3CAN			
Cabeling: M12 Male Socket / Flanschdose (male)			
Supply(+)	Pin 1	CAN High	Pin 4
Ground (-)	Pin 3	CAN Low	Pin 5
Tare	Pin 2		