

MB609

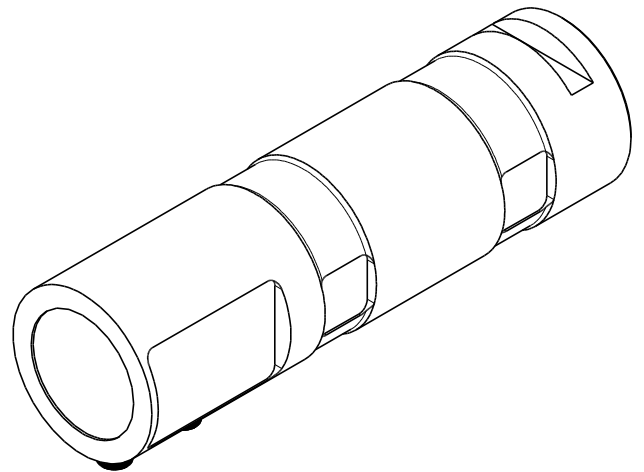
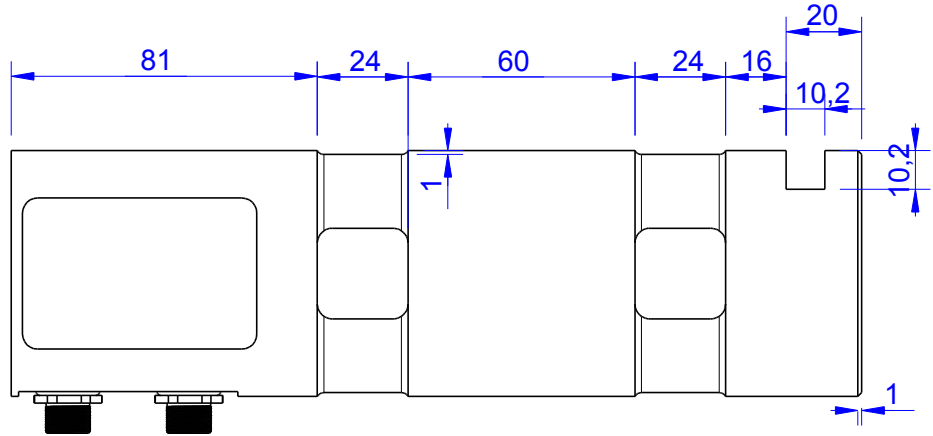
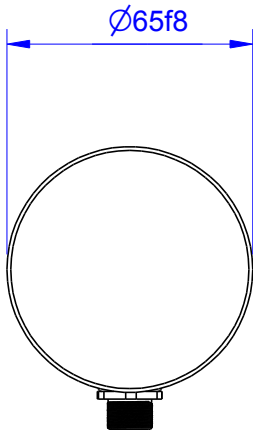
Load Pin

Content of Loadpin Datasheet

Page 1 General

Page 2 Mounting Situation

Page 3 Output Signal & Wiring

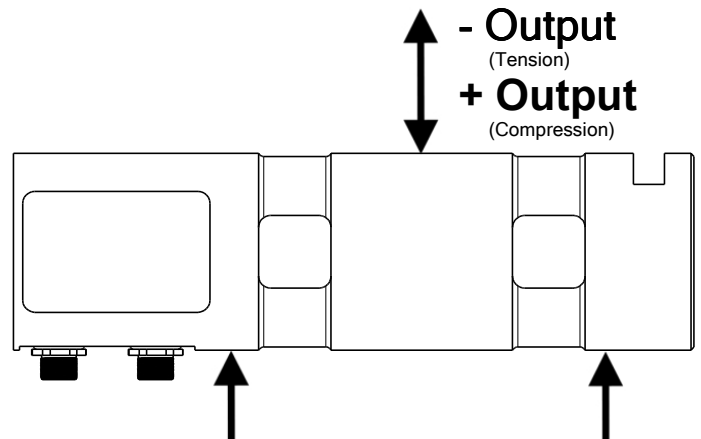


Order-number	Capacity (F.S.)	Uncertainty (k=2)	Review
MB609-20-x-A	20 kN	±0,1kN	A
MB609-50-x-A	50 kN	±0,25 kN	A
MB609-100-x-A	100 kN	±0,50 kN	A
MB609-300-x-A*	300 kN	±1,50 kN	A
MB609-400-x-A	400 kN	±2,00 kN	A

* above showed version
The fixed dimensions don't change at the other capacity.

Specifications: (Customizing on request)

Dimension / Material		
Material		HS Steel
Protection class		IP 66
Hardness (load area)	HRC	38
Mechanical Data		
Safe Load Limit	% of F.S.	150
Breaking Load	% of F.S.	300
Precision		
Nonlinearity	% of F.S.	±0,5
Nonrepeatability	% of F.S.	±0,25
Hysteresis	% of F.S.	±0,2
Temp. Shift Zero	% of F.S./K.	±0,05
Temp. Shift Span	% of F.S./K.	±0,05
Temperature		
Compensated Temp.	°C	-10...+60
Operating Temp.	°C	-20...+70



Batarow
Made in Germany

Batarow Sensorik GmbH
Pappelweg 16
18276 Lüssow OT Karow

Mail: info@batarow.com
Phone: +49 (0) 3843-855555
Fax : +49 (0) 3843-218842

Internet:
www.batarow.com

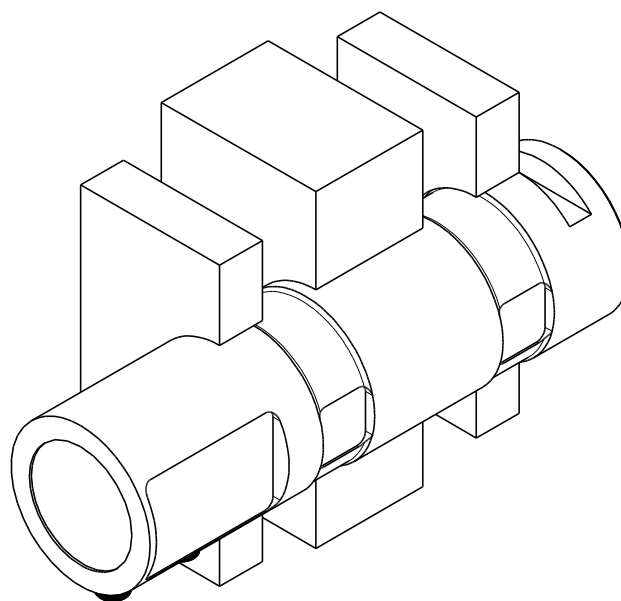
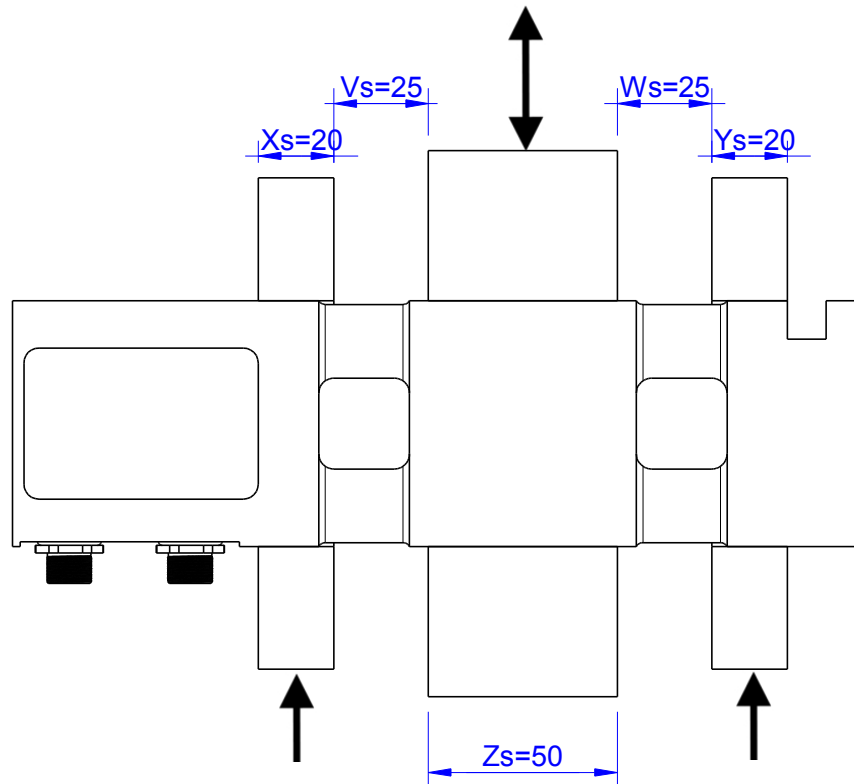
Mounting Situation

MB609 Review: A

Configuration 1 (Standard)

possible Mounting Situation / Customer Mounting could vary

(Please describe Mounting situation with Vs,Ws,Xs,Ys and Zs for best possible calibration)



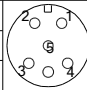
Output Signal & Wiring

Loadpin: MB609

Review: 609

Digital Output CAN(CAN1)

Electrical Data CAN1		
Output @ Bit	Bit	32768
Output @ F.S.	Bit	65536
Supply Voltage	V	11..28
Current Consumption	mA	15 (@ 24V)
Bandwidth	Hz	1200
Switching Output		not connected
max. Switching current	mA	not connected

Wiringcode: WC39			
Integrated Amplifier GSV-3CAN			
Cabeling: M12 Male Socket / Flanschdose (male)			
Supply(+)	Pin 1	CAN High	Pin 4
Ground (-)	Pin 3	CAN Low	Pin 5
Tare	Pin 2		