

MB479

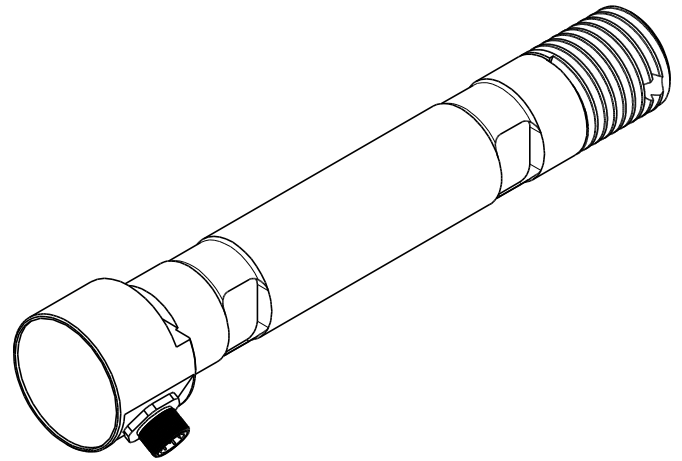
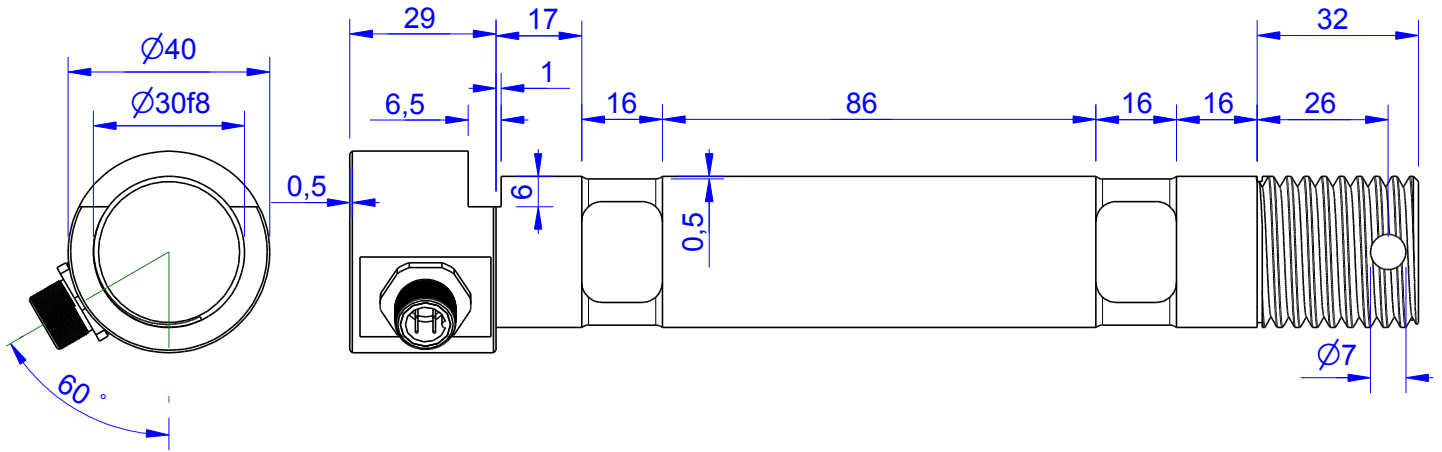
Load Pin

Content of Loadpin Datasheet

Page 1 General

Page 2 Mounting Situation

Page 3 Output Signal & Wiring



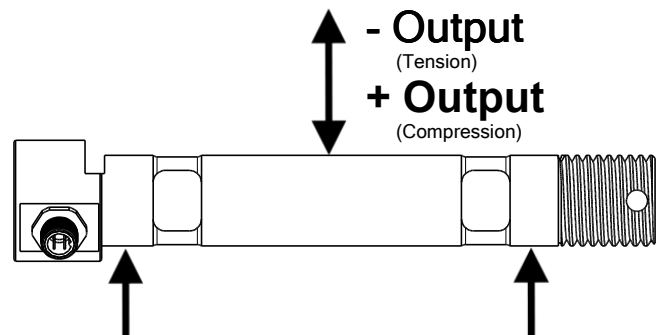
Order-number	Capacity (F.S.)	Uncertainty (k=2)	Review
MB479-5-x-A	5 kN	±0,025kN	A
MB479-10-x-A	10 kN	±0,05 kN	A
MB479-20-x-A	20 kN	±0,10 kN	A
MB479-50-x-A	50 kN	±0,25 kN	A
MB479-100-x-A	100 kN	±0,50 kN	A

* above showed version

The fixed dimensions don't change at the other capacity.

Specifications: (Customizing on request)

Dimension / Material		
Material		Stainless Steel
Protection class		IP 66
Hardness (load area)	HRC	38
Mechanical Data		
Safe Load Limit	% of F.S.	150
Breaking Load	% of F.S.	300
Precision		
Nonlinearity	% of F.S.	±0,5
Nonrepeatability	% of F.S.	±0,25
Hysteresis	% of F.S.	±0,2
Temp. Shift Zero	% of F.S./K.	±0,05
Temp. Shift Span	% of F.S./K.	±0,05
Temperature		
Compensated Temp.	°C	-10...+60
Operating Temp.	°C	-20...+70



Batarow
Made in Germany

Batarow Sensorik GmbH
Pappelweg 16
18276 Lüssow OT Karow

Mail: info@batarow.com
Phone: +49 (0) 3843-855555
Fax : +49 (0) 3843-218842

Internet:
www.batarow.com

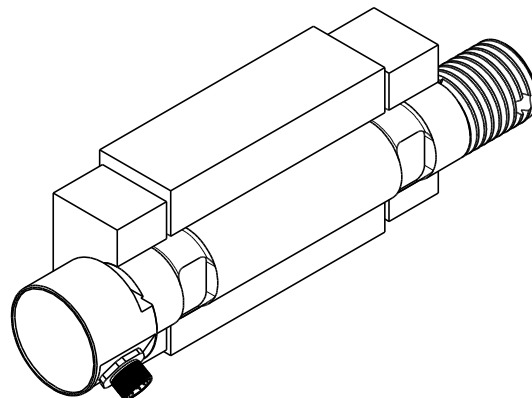
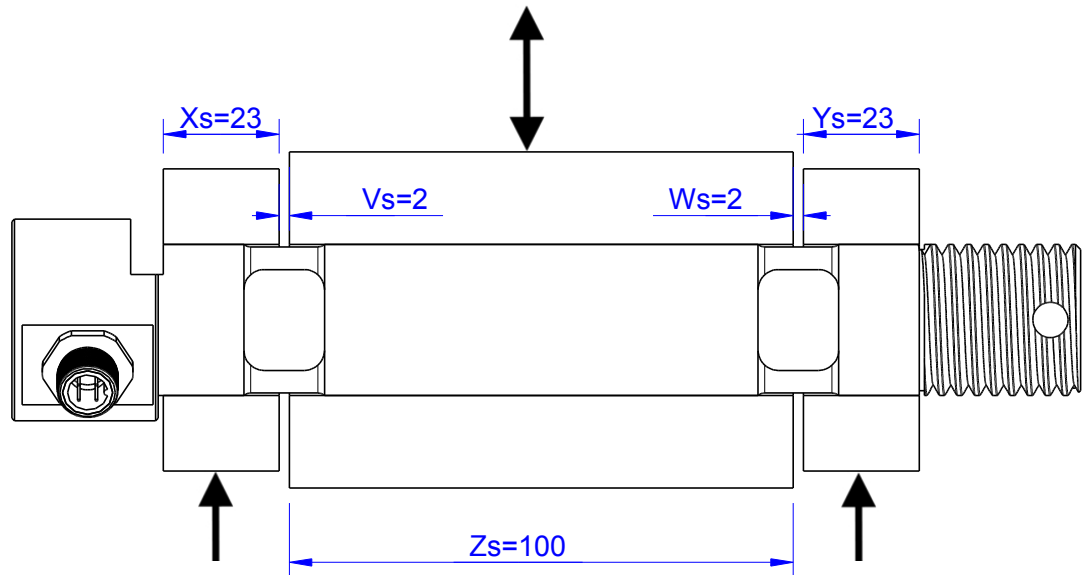
Mounting Situation

MB479 Review: A

Configuration 1 (Standard)

possible Mounting Situation / Customer Mounting could vary

(Please describe Mounting situation with Vs,Ws,Xs,Ys and Zs for best possible calibration)



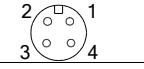
Output Signal & Wiring

Loadpin: MB479

Review: A

Analog Output mV/V (S1)

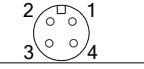
Electrical Data		
Rated Output	mV/V@F.S.	1
Zero Balance	mV/V	±0,05
Excitation (Maximum)	Volt	10
Input Resistance	Ohm	450±100
Output Resistance	Ohm	352±2
Insulating Resistance	GOhm	>5

Wiringcode: WC58		Connectortype: M12 (male)			
	Excitation (+)	Excitation (-)	Bridge (+)	Bridge (-)	
	Pin 1	Pin 2	Pin 3	Pin 4	

Ordernumber Add on:
MB479-x-S1-x

Analog Output 1..10V (U1)

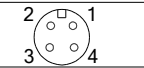
Electrical Data U1		
Output @ 0kN	V	1±0,2
Output @ F.S.	V	10±0,2
Supply Voltage	V	24±2
Current Consumption	mA	25 (@ 24V)
Bandwidth	kHz	2,2±0,2

Wiringcode: WC36		Connectortype: M12 (male)	
	Supply (+)	GND	Output
	Pin 1	Pin 3	Pin 4

Ordernumber Add on:
MB479-x-U1-x

Analog & Digital Output 4..20mA (I20)*

Electrical Data I1		
Output @ 0kN	mA	4±0,5
Output @ F.S.	mA	20±0,5
Supply Voltage	V	24±2
Current Consumption	mA	45 (@ 24V)
Bandwidth	kHz	2,2±0,2

Wiringcode: WC36		Connectortype: M12 (male)	
	Supply (+)	GND	Output
	Pin 1	Pin 3	Pin 4

Ordernumber Add on:
MB479-x-I1-x

*Attention - with this output configuration is no negative signal (Tension) possible

Batarow
Made in Germany

Batarow Sensorik GmbH
Pappelweg 16
18276 Lüssow OT Karow

Mail: info@batarow.com
Phone: +49 (0) 3843-855555
Fax : +49 (0) 3843-218842

Internet:
www.batarow.com