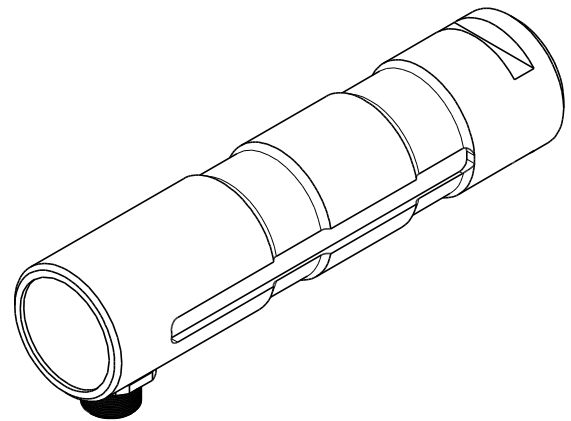
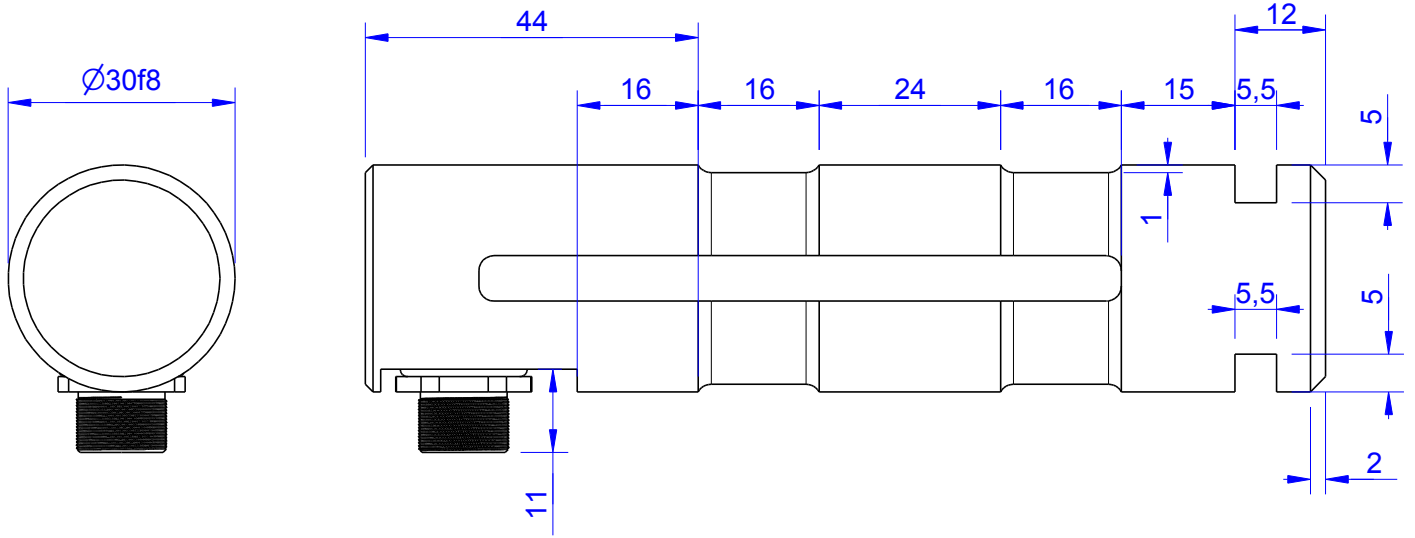


# MB457

Load Pin

## Content of Loadpin Datasheed

Page 1 .....General  
 Page 2 .....Mounting situation  
 Page 3 .....Output Signal & Wiring

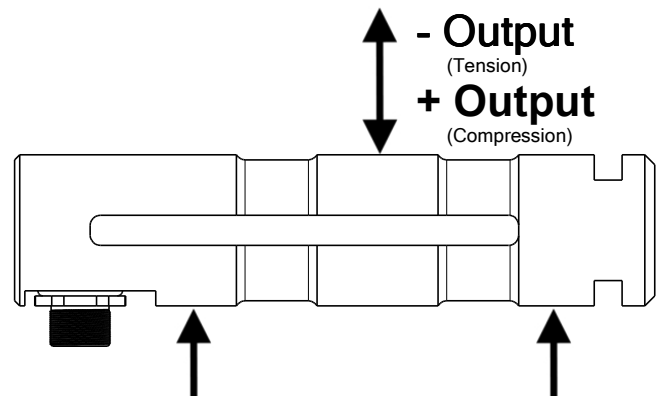


Order-number	Capacity (F.S.)	Uncertainty (k=2)	Review
MB457-5-x-A	5 kN	±0,025kN	A
MB457-10-x-A	10 kN	±0,05 kN	A
MB457-20-x-A	20 kN	±0,10 kN	A
MB457-50-x-A	50 kN	±0,25 kN	A
MB457-100-x-A*	100 kN	±0,50 kN	A

\* above showed version  
 The fixed dimensions don't change at the other capacity.

### Specifications: (Customizing on request)

Dimension / Material		
Material		Stainless Steel
Protection class		IP 66
Hardness (load area)	HRC	38
<b>Mechanical Data</b>		
Safe Load Limit	% of F.S.	150
Breaking Load	% of F.S.	300
<b>Precision</b>		
Nonlinearity	% of F.S.	±0,5
Nonrepeatability	% of F.S.	±0,25
Hysteresis	% of F.S.	±0,2
Temp. Shift Zero	% of F.S./K.	±0,05
Temp. Shift Span	% of F.S./K.	±0,05
<b>Temperature</b>		
Compensated Temp.	°C	-10...+60
Operating Temp.	°C	-20...+70



**Batarow**  
 Made in Germany

Batarow Sensorik GmbH  
 Pappelweg 16  
 18276 Lüssow OT Karow

Mail: info@batarow.com  
 Phone: +49 (0) 3843-855555  
 Fax : +49 (0) 3843-218842

Internet:  
 www.batarow.com

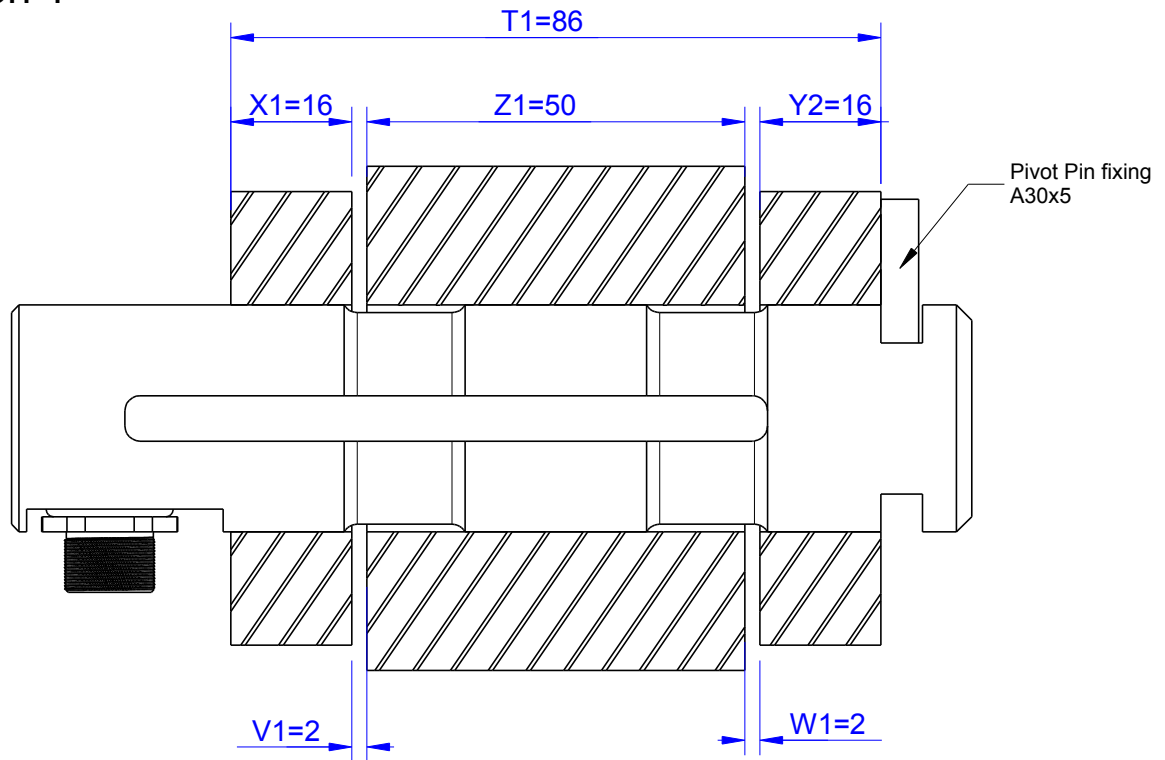
# Mounting Situation

Loadpin: MB457

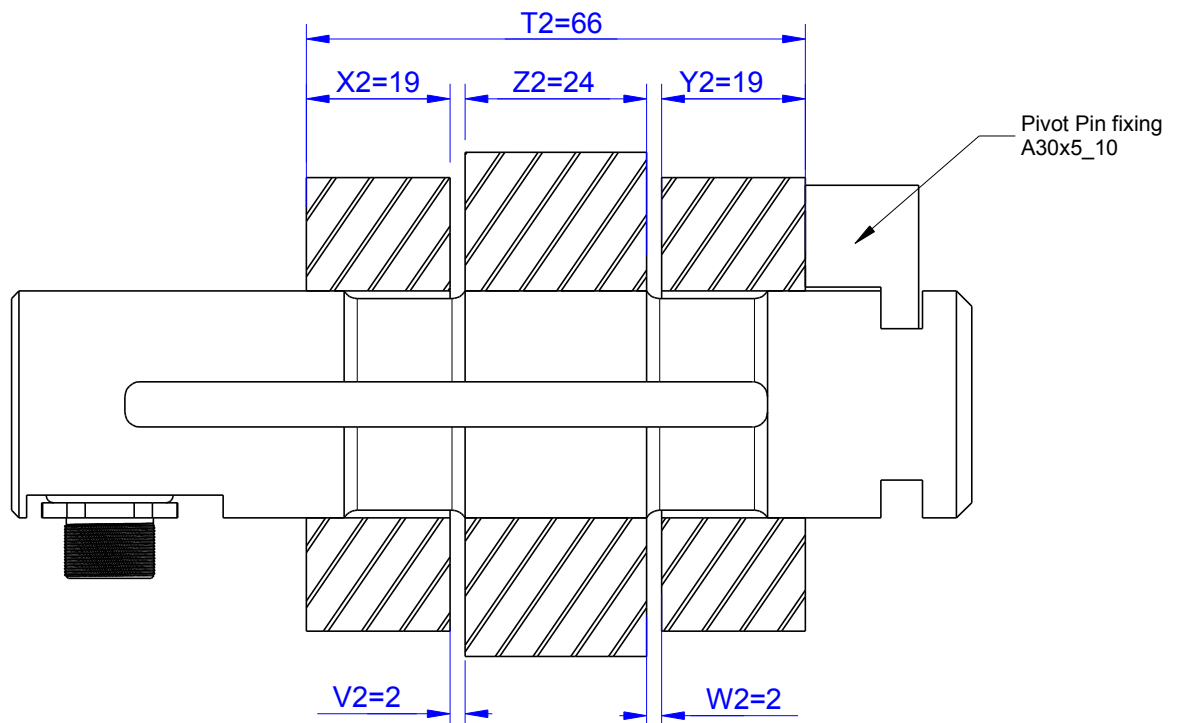
Review: A

Bore fit of mounting situation: H7

## Configuration 1



## Configuration 2



# Output Signal & Wiring

Loadpin: MB457

Review: A

## Analog Output mV/V (**S1**)

Electrical Data		
Rated Output	mV/V@F.S.	1
Zero Balance	mV/V	$\pm 0,05$
Exitation (Maximum)	Volt	10
Input Resistance	Ohm	$450\pm 100$
Output Resistance	Ohm	$352\pm 2$
Insulating Resistance	GOhm	$>5$

Wiringcode: WC58		Connectortype: M12 (male)			
2	1	Exitation (+)	Exitation (-)	Bridge (+)	Bridge (-)
3	4	Pin 1	Pin 2	Pin 3	Pin 4

Ordernumber Add on:  
MB457-x-**S1**-A

## Analog Output 1..10V (**U1**)\*

Electrical Data U1		
Output @ 0kN	V	$1\pm 0,2$
Output @ F.S.	V	$10\pm 0,2$
Supply Voltage	V	$24\pm 2$
Current Consumption	mA	25 (@ 24V)
Bandwidth	kHz	$2,2\pm 0,2$

Wiringcode: WC36		Connectortype: M12 (male)		
2	1	Supply (+)	GND	Output
3	4	Pin 1	Pin 3	Pin 4

Ordernumber Add on:  
MB457-x-**U1**-A

## Analog Output 4..20mA (**I1**)\*

Electrical Data I1		
Output @ 0kN	mA	$4\pm 0,5$
Output @ F.S.	mA	$20\pm 0,5$
Supply Voltage	V	$24\pm 2$
Current Consumption	mA	45 (@ 24V)
Bandwidth	kHz	$2,2\pm 0,2$

Wiringcode: WC36		Connectortype: M12 (male)		
2	1	Supply (+)	GND	Output
3	4	Pin 1	Pin 3	Pin 4

Ordernumber Add on:  
MB457-x-**I1**-A

\*Attention - with this output configuration is no negative signal (Tension) possible

**Batarow**  
Made in Germany

Batarow Sensorik GmbH  
Pappelweg 16  
18276 Lüssow OT Karow

Mail: info@batarow.com  
Phone: +49 (0) 3843-855555  
Fax : +49 (0) 3843-218842

Internet:  
www.batarow.com