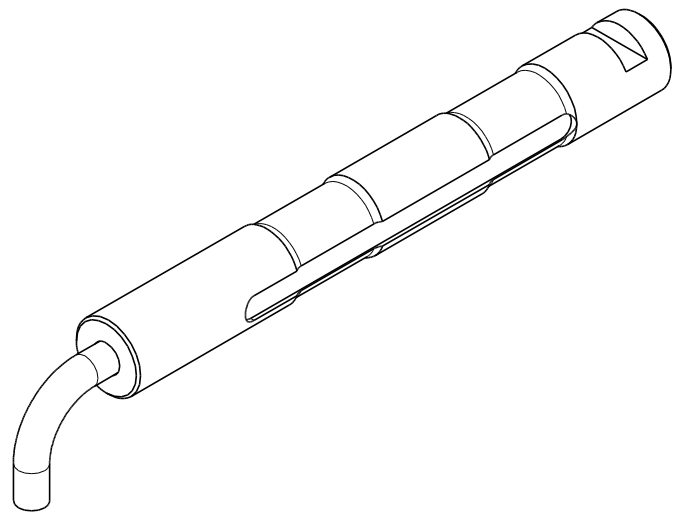
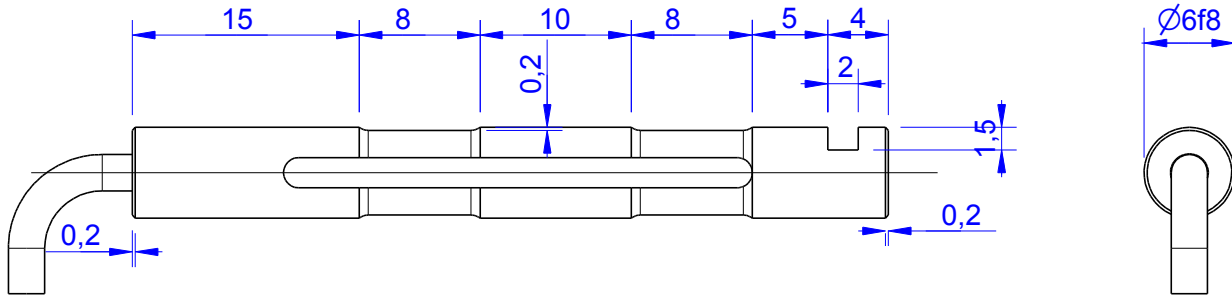


# MB445

Load Pin

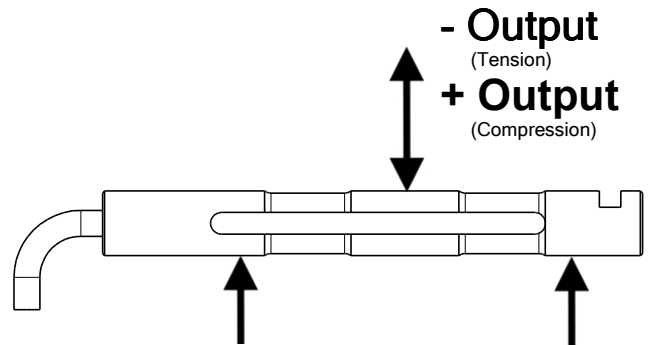


Order no.	Capacity (F.S.)	Review
MB445-0,4-A	0,4 kN	A
MB445-2-A	2 kN	A

\* above showed version  
The fixed dimensions don't change at the other capacity.

## Specifications: (Customizing on request)

<b>Dimension / Material</b>		
Material		Stainless Steel
Protection class		IP 64
<b>Mechanical Data</b>		
Safe Load Limit	% of F.S.	150
Breaking Load	% of F.S.	300
<b>Electrical Data</b>		
Rated Output	mV/V@F.S.	1
Zero Balance	mV/V	±1
Excitation (Maximum)	Volt	10
Input Resistance	Ohm	400±100
Output Resistance	Ohm	351±50
Insulating Resistance	GOhm	>5
<b>Precision</b>		
Precisionclass	%	1
Nonlinearity	% of F.S.	± 0,5
Nonrepeatability	% of F.S.	± 0,25
Hysteresis	% of F.S.	± 0,2
Temp. Shift Zero	% of F.S./K.	±0,05
Temp. Shift Span	% of F.S./K.	±0,05
<b>Temperature</b>		
Compensated Temp.	°C	-10...+60
Operating Temp.	°C	-20...+70



Wiringcode: WC1	Cabletype: STC31v-4			
Cable Length	Excitation (+)	Excitation (-)	Bridge (+)	Bridge (-)
3 m	brown	white	green	yellow

**Batarow**  
Made in Germany

Batarow Sensorik GmbH  
Pappelweg 16  
18276 Lüssow OT Karow

Mail: info@batarow.com  
Phone: +49 (0) 3843-855555  
Fax : +49 (0) 3843-218842

Internet:  
www.batarow.com

# Mounting Situation

MB445 Review: A

## Configuration 1 (Standard)

possible Mounting Situation / Customer Mounting could vary

(Please describe Mounting situation with Vs,Ws,Xs,Ys and Zs for best possible calibration)

