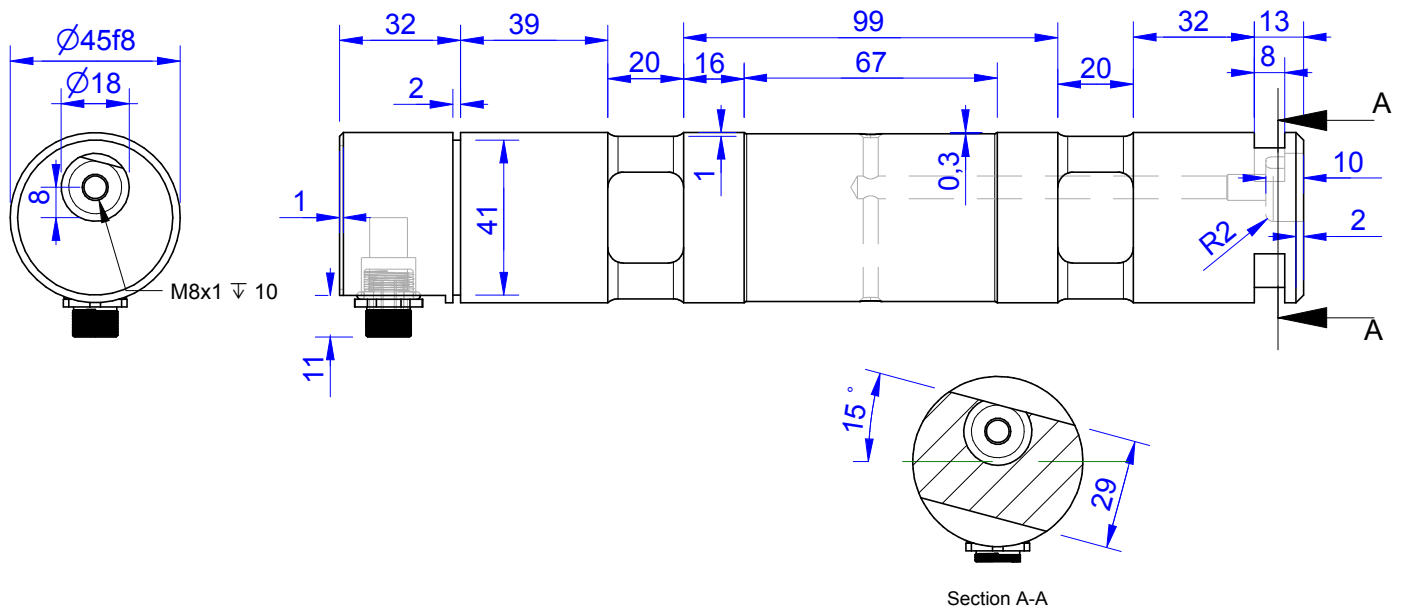
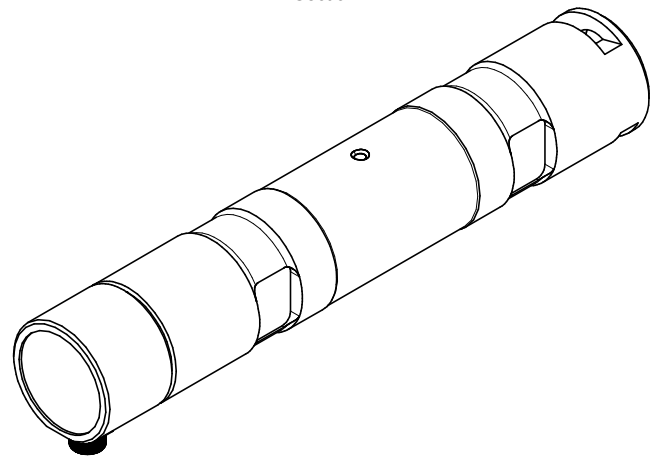


# MB402



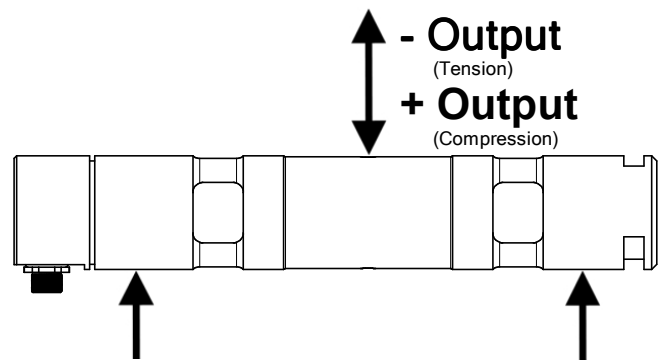
Order no.	Capacity (F.S.)	Review
MB402-5-A	5 kN	A
MB402-10-A	10 kN	A
MB402-20-A	20 kN	A
MB402-50-A	50 kN	A
MB402-150-A*	150 kN	A


\* above showed version  
The fixed dimensions don't change at the other capacity.



## Specifications: (Customizing on request)

Dimension / Material		
Type of Construction		HS Steel
Material		IP 66
Protection class		
<b>Mechanical Data</b>		
Safe Load Limit	% of F.S.	120
Breaking Load	% of F.S.	150
<b>Electrical Data</b>		
Output @ 0kN	V	2,5±0,5
Output @ F.S.	V	7,5±0,5
Supply Voltage	V	11..14
Current Consumption	mA	20 (@ 12V)
Switching Output		n.c.
max. Switching current	mA	n.c.
<b>Precision</b>		
Precisionclass	%	1
Nonlinearity	% of F.S.	±0,5
Nonrepeatability	% of F.S.	±0,25
Hysteresis	% of F.S.	±0,2
Temp. Shift Zero	% of F.S./K.	±0,05
Temp. Shift Span	% of F.S./K.	±0,05
<b>Temperature</b>		
Compensated Temp.	°C	-10...+60
Operating Temp.	°C	-20...+70



Wiringcode: WC34	Connectortype: M12 (male)		
	Supply (+)	Output	GND
	Pin 2	Pin 3	Pin 1

**Batarow**  
Made in Germany

Batarow Sensorik GmbH  
Karow 17  
18276 Lüssow

Mail: info@batarow.com  
Phone: +49 (0) 3843-855555  
Fax : +49 (0) 3843-218842

Internet:  
www.batarow.com

# Mounting Situation

MB402 Review: A

## Configuration 1 (Standard)

possible Mounting Situation / Customer Mounting could vary

(Please describe Mounting situation with Vs,Ws,Xs,Ys and Zs for best possible calibration)

