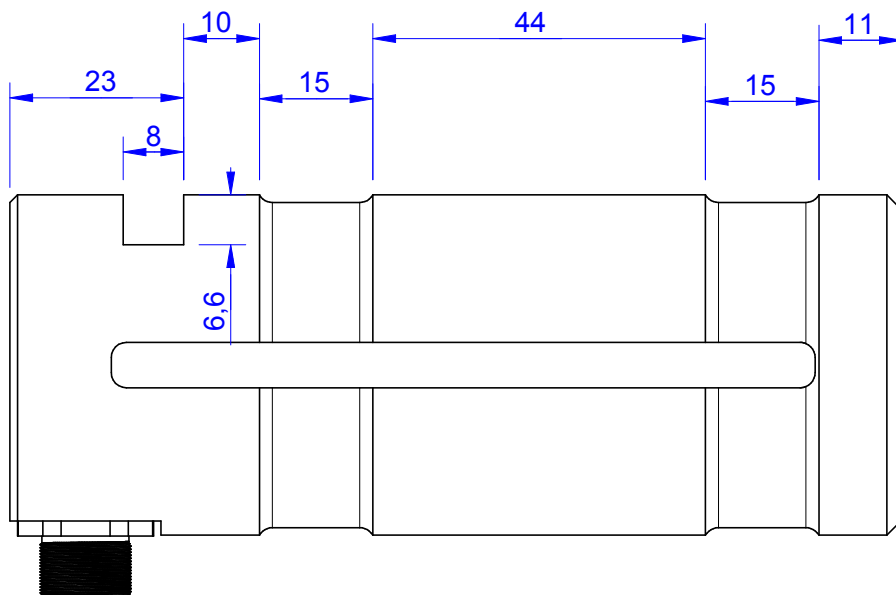
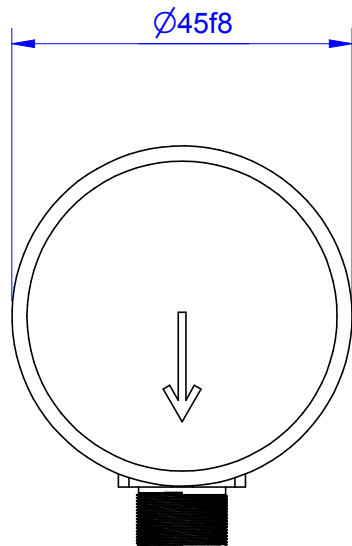
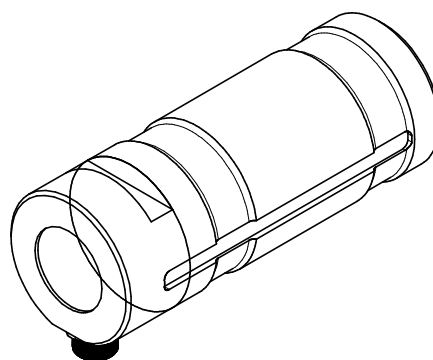


MB361



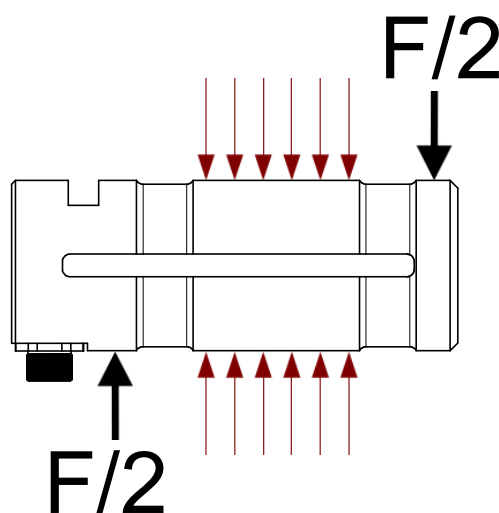
Order no.	Capacity (F.S.)	Review
MB361-20-A	20 kN	A
MB361-50-A	50 kN	A
MB361-100-A	100 kN	A
MB361-200-A	200 kN	A
MB361-320-A	320 kN	A

* above showed version
The fixed dimensions don't change at the other capacity.



Specifications: (Customizing on request)

Dimension / Material		
Type of Construction		HS Steel
Material		IP 66
Protection class		
Mechanical Data		
Safe Load Limit	% of F.S.	150
Breaking Load	% of F.S.	300
Electrical Data		
Output @ 0kN	V	0
Output @ F.S.	V	+10
Supply Voltage	V	11..30
Current Consumption	mA	15 (@ 24V)
Switching Output		Open Collector
max. Switching current	mA	100
Precision		
Precisionclass	%	1
Nonlinearity	% of F.S.	±0,5
Nonrepeatability	% of F.S.	±0,25
Hysteresis	% of F.S.	±0,2
Temp. Shift Zero	% of F.S./K.	±0,05
Temp. Shift Span	% of F.S./K.	±0,05
Temperature		
Compensated Temp.	°C	-10...+60
Operating Temp.	°C	-20...+70



Wiringcode: WC29			
Integrated Amplifier: GSV-15AL			
Cabeling: M12 Male Socket / Flanschdose (male)			
Supply(+)	Pin 2 / BN	Scale	Pin 5 / GY
Ground (-)	Pin 1 / WH	Threshold	Pin 6 / PK
Output	Pin 3 / GN	Output Ground	Pin 7 / BU
Tare	Pin 4 / YE		

Batarow
Made in Germany

Batarow Sensorik GmbH
Karow 17
18276 Lüssow

Mail: info@batarow.com
Phone: +49 (0) 3843-855555
Fax : +49 (0) 3843-218842

Internet:
www.batarow.com

Mounting Situation

MB361 Review: A

Configuration 1 (Standard)

possible Mounting Situation / Customer Mounting could vary

(Please describe Mounting situation with Vs,Ws,Xs,Ys and Zs for best possible calibration)

