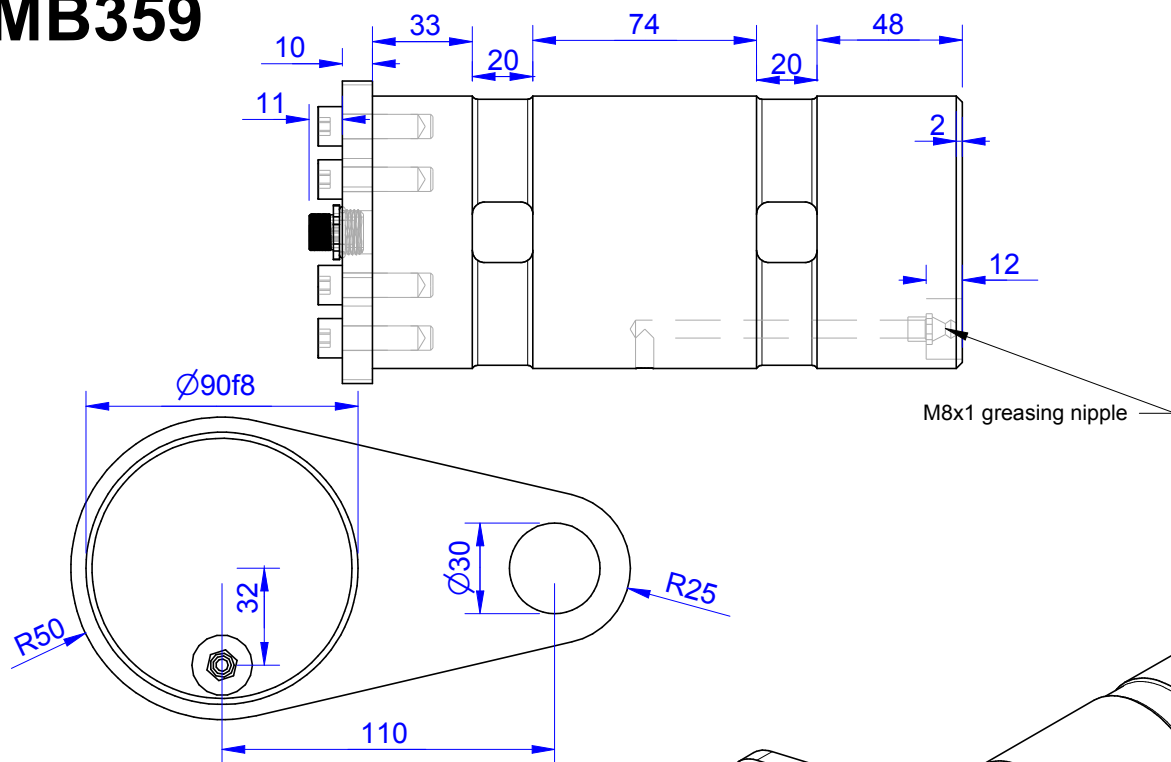
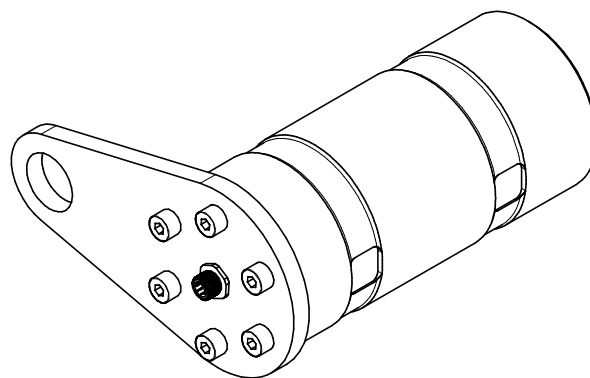


MB359



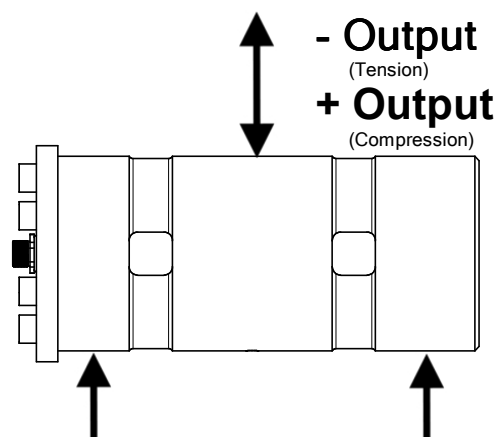
| Order no. | Capacity (F.S.) | Review |
|--------------|-----------------|--------|
| MB359-50-A | 50 kN | A |
| MB359-100-A | 100 kN | A |
| MB359-250-A | 250 kN | A |
| MB359-500-A | 500 kN | A |
| MB359-700-A* | 700 kN | A |

* above showed version
The fixed dimensions don't change at the other capacity.



Specifications: (Customizing on request)

| | | |
|-----------------------------|--------------|----------------|
| Dimension / Material | | |
| Type of Construction | | HS Steel |
| Material | | IP 68 |
| Protection class | | |
| Mechanical Data | | |
| Safe Load Limit | % of F.S. | 150 |
| Breaking Load | % of F.S. | 300 |
| Electrical Data | | |
| Output @ 0kN | mA | 4 |
| Output @ F.S. | mA | 20 |
| Supply Voltage | V | 11..30 |
| Current Consumption | mA | 15 (@ 24V) |
| Switching Output | | Open Collector |
| max. Switching current | mA | 100 |
| Precision | | |
| Precisionclass | % | 1 |
| Nonlinearity | % of F.S. | ±0,5 |
| Nonrepeatability | % of F.S. | ±0,25 |
| Hysteresis | % of F.S. | ±0,2 |
| Temp. Shift Zero | % of F.S./K. | ±0,05 |
| Temp. Shift Span | % of F.S./K. | ±0,05 |
| Temperature | | |
| Compensated Temp. | °C | -10...+60 |
| Operating Temp. | °C | -20...+70 |



| | | | |
|--|------------|---------------|------------|
| Wiringcode: WC29 | | | |
| Integrated Amplifier: GSV-15AL | | | |
| Cabeling: M12 Male Socket / Flanschdose (male) | | | |
| Supply(+) | Pin 2 / BN | Scale | Pin 5 / GY |
| Ground (-) | Pin 1 / WH | Threshold | Pin 6 / PK |
| Output | Pin 3 / GN | Output Ground | Pin 7 / BU |
| Tare | Pin 4 / YE | | |

Batarow
Made in Germany

Batarow Sensorik GmbH
Karow 17
18276 Lüssow

Mail: info@batarow.com
Phone: +49 (0) 3843-855555
Fax : +49 (0) 3843-218842

Internet:
www.batarow.com

Mounting Situation

MB359 Review: A

Configuration 1 (Standard)

possible Mounting Situation / Customer Mounting could vary

(Please describe Mounting situation with Vs,Ws,Xs,Ys and Zs for best possible calibration)

