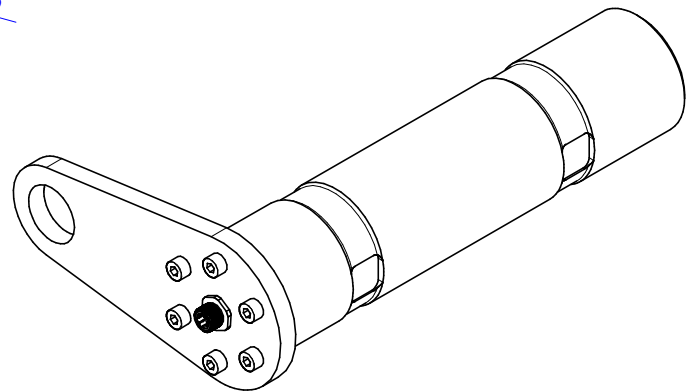
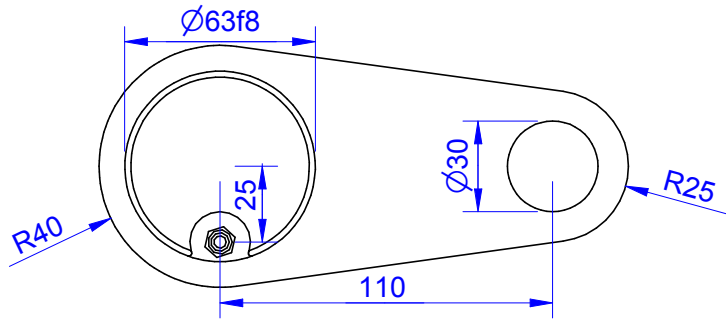
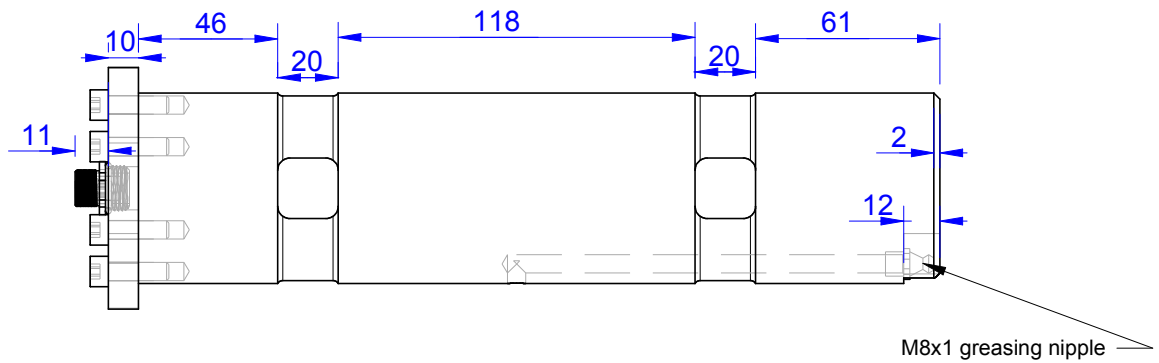


MB358

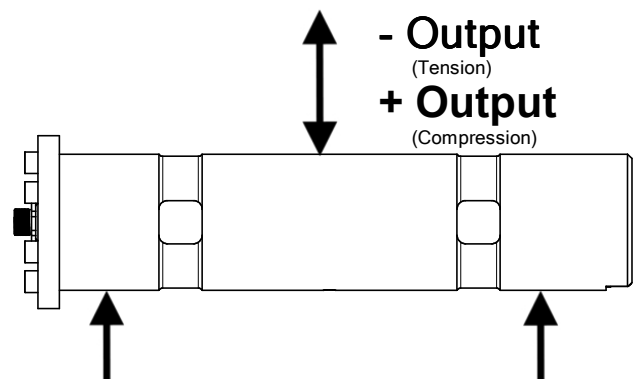


Order no.	Capacity (F.S.)	Review
MB358-20-B	20 kN	B
MB358-50-B	50 kN	B
MB358-100-B	100 kN	B
MB358-200-B	200 kN	B
MB358-350-B*	350 kN	B

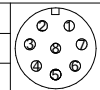
* above showed version
The fixed dimensions don't change at the other capacity.

Specifications: (Customizing on request)

Dimension / Material		
Type of Construction		
Material		HS Steel
Protection class		IP 68
Mechanical Data		
Safe Load Limit	% of F.S.	150
Breaking Load	% of F.S.	300
Electrical Data		
Output @ 0kN	mA	4
Output @ F.S.	mA	20
Supply Voltage	V	11..30
Current Consumption	mA	15 (@ 24V)
Switching Output		Open Collector
max. Switching current	mA	100
Precision		
Precisionclass	%	1
Nonlinearity	% of F.S.	±0,5
Nonrepeatability	% of F.S.	±0,25
Hysteresis	% of F.S.	±0,2
Temp. Shift Zero	% of F.S./K.	±0,05
Temp. Shift Span	% of F.S./K.	±0,05
Temperature		
Compensated Temp.	°C	-10...+60
Operating Temp.	°C	-20...+70



Wiringcode: WC29			
Integrated Amplifier: GSV-15AL			
Cabeling: M12 Male Socket / Flanschdose (male)			
Supply(+)	Pin 2 / BN	Scale	Pin 5 / GY
Ground (-)	Pin 1 / WH	Threshold	Pin 6 / PK
Output	Pin 3 / GN	Output Ground	Pin 7 / BU
Tare	Pin 4 / YE		



Batarow
Made in Germany

Batarow Sensorik GmbH
Karow 17
18276 Lüssow

Mail: info@batarow.com
Phone: +49 (0) 3843-855555
Fax : +49 (0) 3843-218842

Internet:
www.batarow.com

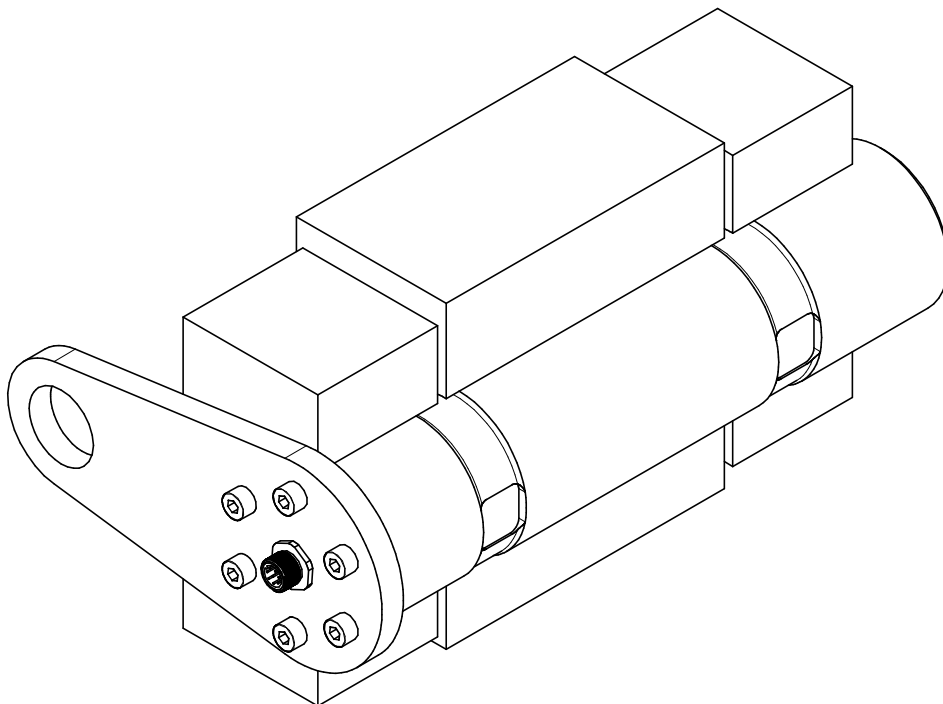
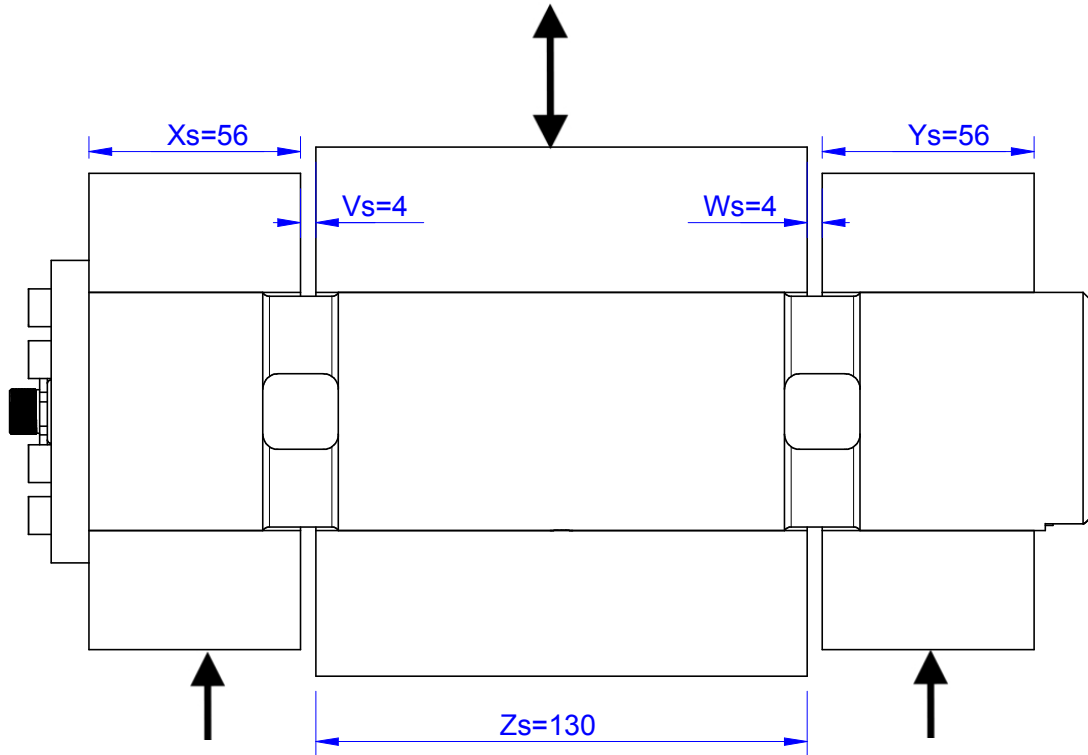
Mounting Situation

MB358 Review: B

Configuration 1 (Standard)

possible Mounting Situation / Customer Mounting could vary

(Please describe Mounting situation with Vs,Ws,Xs,Ys and Zs for best possible calibration)



Batarow
Made in Germany

Batarow Sensorik GmbH
Karow 17
18276 Lüssow

Mail: info@batarow.com
Phone: +49 (0) 3843-855555
Fax : +49 (0) 3843-218842

Internet:
www.batarow.com