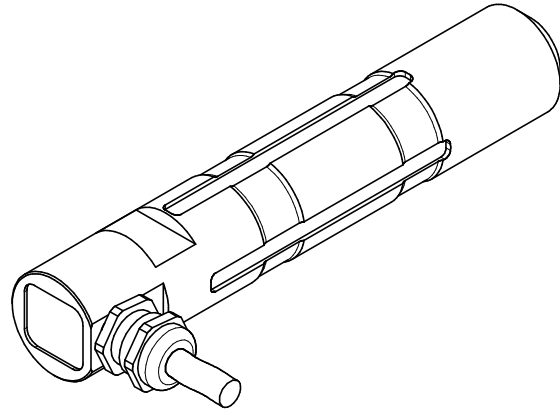
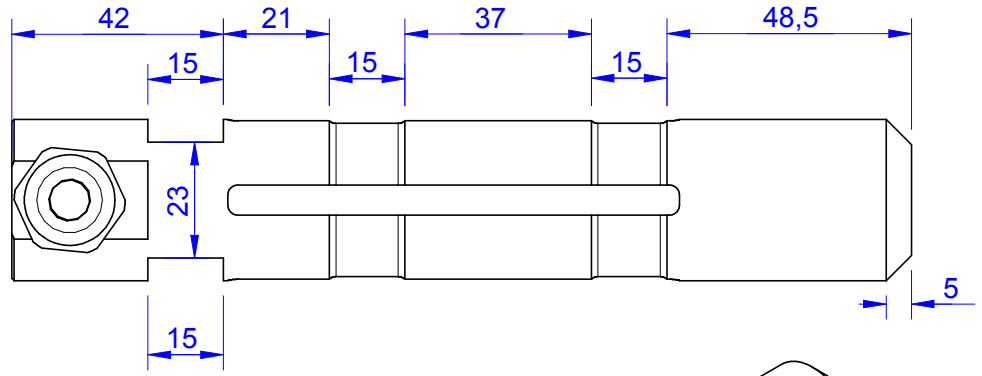
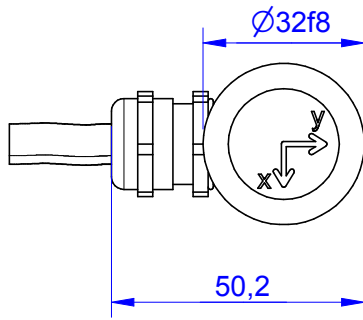


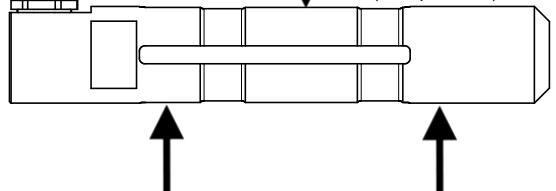
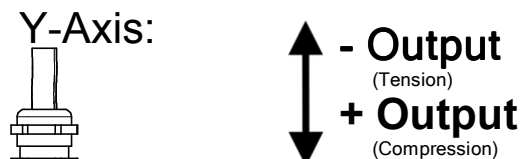
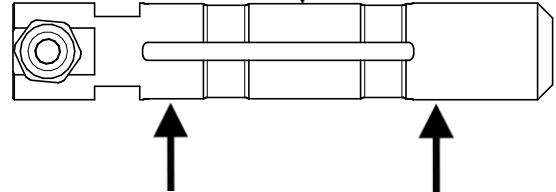
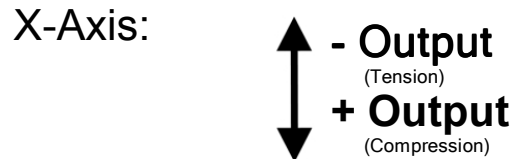
# MB322

2-Axis Loadpin



Order no.	Capacity (F.S.)	Review
MB322-20-B	20 kN	B
MB322-50-B	50 kN	B
MB322-100-B*	100 kN	B

\* above showed version  
The fixed dimensions don't change at the other capacity.



## Specifications: (Customizing on request)

Dimension / Material		
Type of Construction		Stainless Steel
Material		IP 68
Protection class		
<b>Mechanical Data</b>		
Safe Load Limit	% of F.S.	150
Breaking Load	% of F.S.	300
<b>Electrical Data</b>		
Output @ 0kN	V	5
Output @ F.S.	V	10
Supply Voltage	V	11..30
Current Consumption	mA	15 (@ 24V)
Switching Output		Open Collector
max. Switching current	mA	100
<b>Precision</b>		
Precisionclass	%	1
Nonlinearity	% of F.S.	±0,5
Nonrepeatability	% of F.S.	±0,25
Hysteresis	% of F.S.	±0,2
Temp. Shift Zero	% of F.S./K.	±0,05
Temp. Shift Span	% of F.S./K.	±0,05
<b>Temperature</b>		
Compensated Temp.	°C	-10...+80
Operating Temp.	°C	-20...+80

Wiringcode: WC31			
integrated Amplifier			
Cabeling: 3 m 14x0,14			
<b>X-Axis</b>		<b>Y-Axis</b>	
Supply (+)	brown	Supply (+)	red
Ground (-)	white	Ground (-)	black
Output	green	Output	violet
Tare	yellow	Tare	grey-pink
Scale	grey	Scale	red-blue
Threshold	pink	Threshold	white-green
Output GND	blue	Output GND	brown-green

**Batarow**  
Made in Germany

Batarow Sensorik GmbH  
Karow 17  
18276 Lüssow

Mail: info@batarow.com  
Phone: +49 (0) 3843-855555  
Fax : +49 (0) 3843-218842

Internet:  
www.batarow.com

# Mounting Situation

MB322 Review: B

## Configuration 1 (Standard)

possible Mounting Situation / Customer Mounting could vary

(Please describe Mounting situation with Vs,Ws,Xs,Ys and Zs for best possible calibration)

