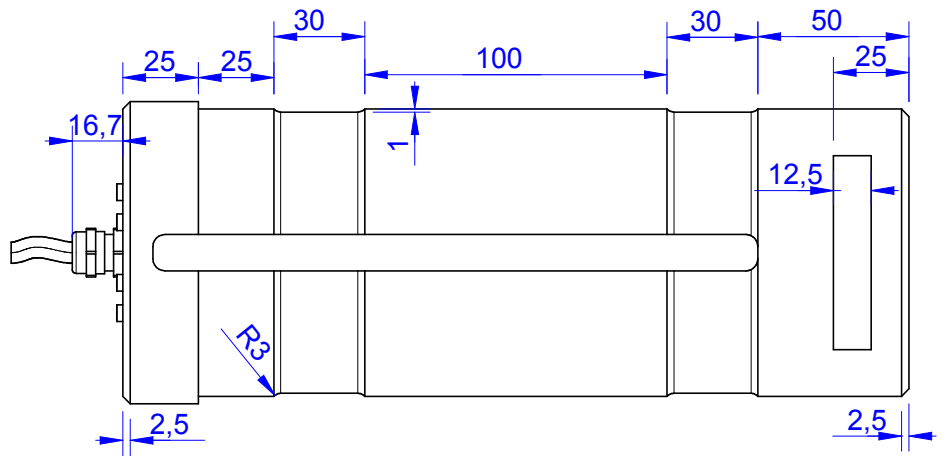
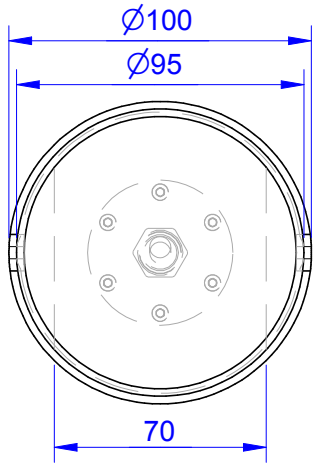
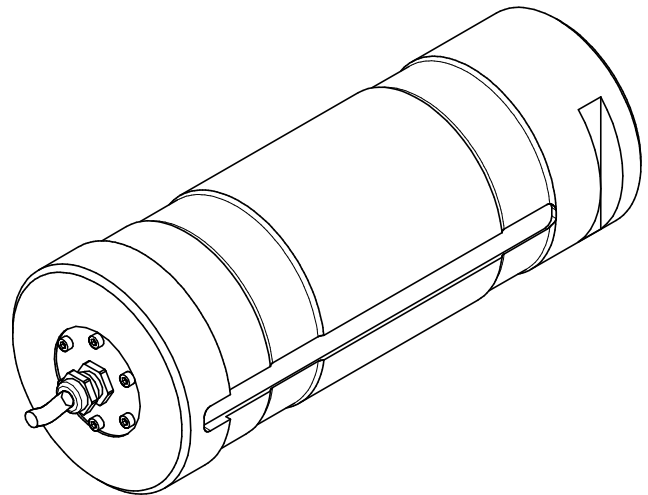


MB304



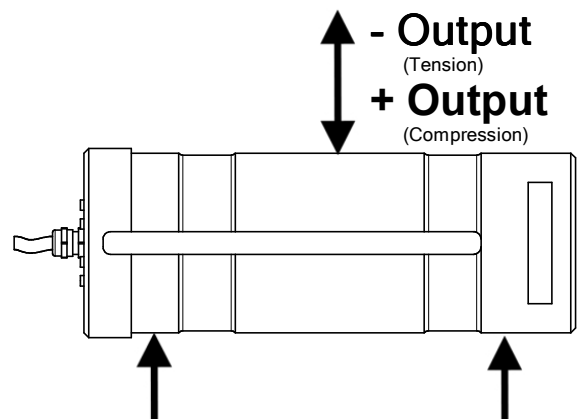
| Order no. | Capacity (F.S.) | Review |
|--------------|-----------------|--------|
| MB304-50-A | 50 kN | A |
| MB304-100-A | 100 kN | A |
| MB304-250-A | 250 kN | A |
| MB304-500-A | 500 kN | A |
| MB304-600-A* | 600 kN | A |

* above showed version
The fixed dimensions don't change at the other capacity.



Specifications: (Customizing on request)

| Dimension / Material | | |
|------------------------|--------------|-----------------|
| Type of Construction | | Stainless Steel |
| Material | | IP 66 |
| Protection class | | |
| Mechanical Data | | |
| Safe Load Limit | % of F.S. | 150 |
| Breaking Load | % of F.S. | 300 |
| Electrical Data | | |
| Output @ 0kN | V | 0 |
| Output @ F.S. | V | 10 |
| Supply Voltage | V | 11..30 |
| Current Consumption | mA | 15 (@ 24V) |
| Switching Output | | n.c. |
| max. Switching current | mA | n.c. |
| Precision | | |
| Precisionclass | % | 1 |
| Nonlinearity | % of F.S. | ±0,5 |
| Nonrepeatability | % of F.S. | ±0,25 |
| Hysteresis | % of F.S. | ±0,2 |
| Temp. Shift Zero | % of F.S./K. | ±0,05 |
| Temp. Shift Span | % of F.S./K. | ±0,05 |
| Temperature | | |
| Compensated Temp. | °C | -10...+60 |
| Operating Temp. | °C | -20...+70 |



| | | | |
|----------------------------|------------|--------|--------|
| Wiringcode: WC25 | | | |
| Cabeling: 5 m 2x2x0,25 PUR | | | |
| Supply(+) | Ground (-) | Output | Tare |
| brown | white | green | yellow |

Batarow
Made in Germany

Batarow Sensorik GmbH
Karow 17
18276 Lüssow

Mail: info@batarow.com
Phone: +49 (0) 3843-855555
Fax : +49 (0) 3843-218842

Internet:
www.batarow.com

Mounting Situation

MB304 Review: a

Configuration 1 (Standard)

possible Mounting Situation / Customer Mounting could vary

(Please describe Mounting situation with Vs,Ws,Xs,Ys and Zs for best possible calibration)

