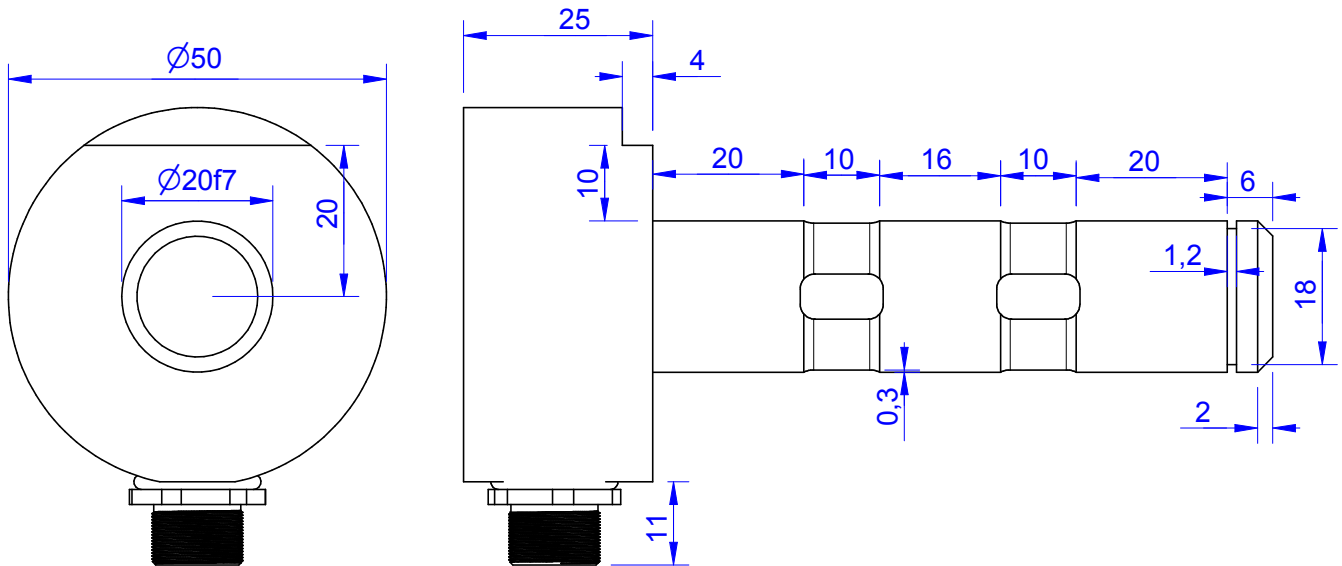


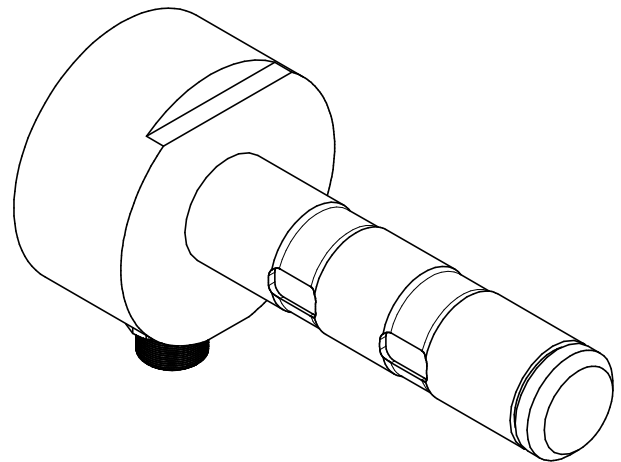
MB303

Rev A



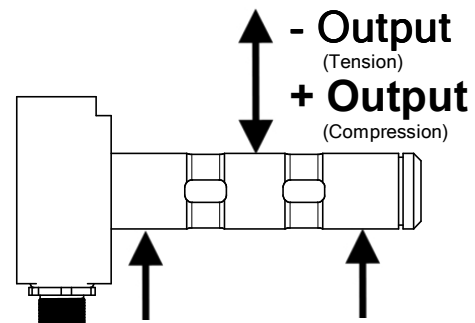
Order no.	Capacity (F.S.)	Review
MB303-5-A	5 kN	A
MB303-10-A	10 kN	A
MB303-20-A*	20 kN	A


* above showed version
The fixed dimensions don't change at the other capacity.



Specifications: (Customizing on request)

Dimension / Material		
Type of Construction		Stainless Steel
Material		IP 66
Protection class		
Mechanical Data		
Safe Load Limit	% of F.S.	150
Breaking Load	% of F.S.	300
Electrical Data		
Output @ 0kN	mA	4
Output @ F.S.	mA	20
Supply Voltage	V	11..30
Current Consumption	mA	15 (@ 24V)
Switching Output		n.c.
max. Switching current	mA	n.c.
Precision		
Precisionclass	%	1
Nonlinearity	% of F.S.	±0,5
Nonrepeatability	% of F.S.	±0,25
Hysteresis	% of F.S.	±0,2
Temp. Shift Zero	% of F.S./K.	±0,05
Temp. Shift Span	% of F.S./K.	±0,05
Temperature		
Compensated Temp.	°C	-10...+60
Operating Temp.	°C	-20...+70



Wiringcode: WC27	Connectortype: M12 (male)			
	Supply (+)	Output	GND	Tara
	Pin 1	Pin 2	Pin 3	Pin 4

Batarow
Made in Germany

Batarow Sensorik GmbH
Karow 17
18276 Lüssow

Mail: info@batarow.com
Phone: +49 (0) 3843-855555
Fax : +49 (0) 3843-218842

Internet:
www.batarow.com

Mounting Situation

MB303 Review: A

Configuration 1 (Standard)

possible Mounting Situation / Customer Mounting could vary

(Please describe Mounting situation with Vs,Ws,Xs,Ys and Zs for best possible calibration)

