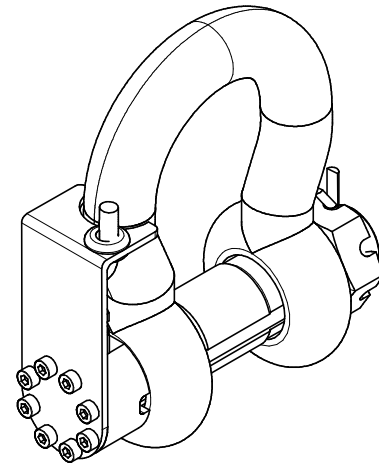
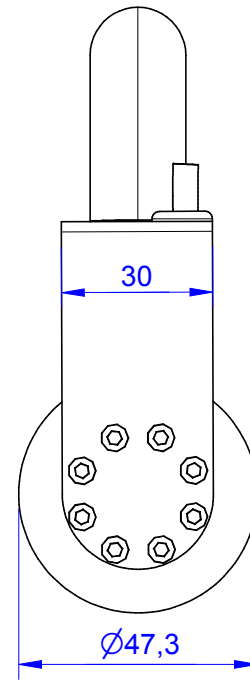
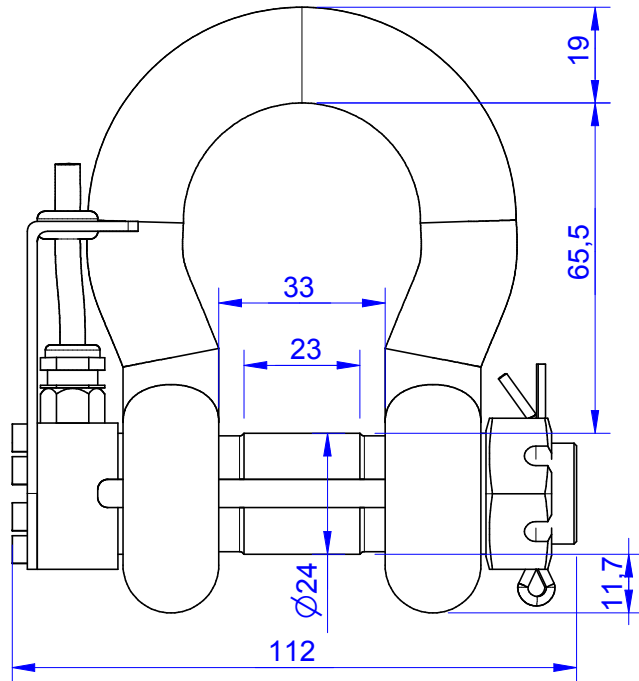


MB295

Shackle Load Pin

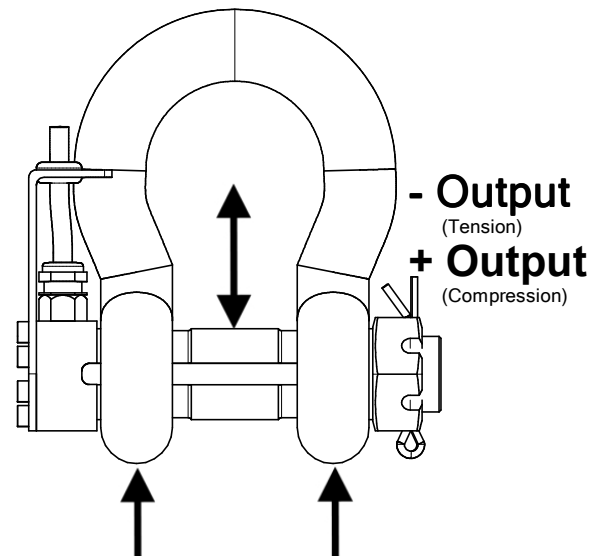


Order no.	Capacity (F.S.)	Review
MB295-5-A	5 kN	A
MB295-10-A	10 kN	A
MB295-20-A	20 kN	A
MB295-30-A*	30 kN	A

* above showed version
The fixed dimensions don't change at the other capacity.

Specifications: (Customizing on request)

Dimension / Material		
Material		Stainless Steel
Protection class		IP 66
Mechanical Data		
Safe Load Limit	% of F.S.	150
Breaking Load	% of F.S.	300
Electrical Data		
Rated Output	mV/V@F.S.	1
Zero Balance	mV/V	±0,05
Excitation (Maximum)	Volt	10
Input Resistance	Ohm	400±50
Output Resistance	Ohm	352±2
Insulating Resistance	GOhm	>5
Precision		
Precisionclass	%	1
Nonlinearity	% of F.S.	± 0,5
Nonrepeatability	% of F.S.	± 0,25
Hysteresis	% of F.S.	± 0,2
Temp. Shift Zero	% of F.S./K.	±0,05
Temp. Shift Span	% of F.S./K.	±0,05
Temperature		
Compensated Temp.	°C	-10...+60
Operating Temp.	°C	-20...+70



Wiringcode: WC52	Cabletype: 4x0,14 Lapp FD			
Cable Length	Exitation (+)	Exitation (-)	Bridge (+)	Bridge (-)
3 m	brown	white	green	yellow

Batarow
Made in Germany

Batarow Sensorik UG
(haftungsbeschränkt)
Karow 17 / 18276 Lüssow

Mail: info@batarow.com
Phone: +49 (0) 3843-855555
Fax : +49 (0) 3843-218842

Internet:
www.batarow.com