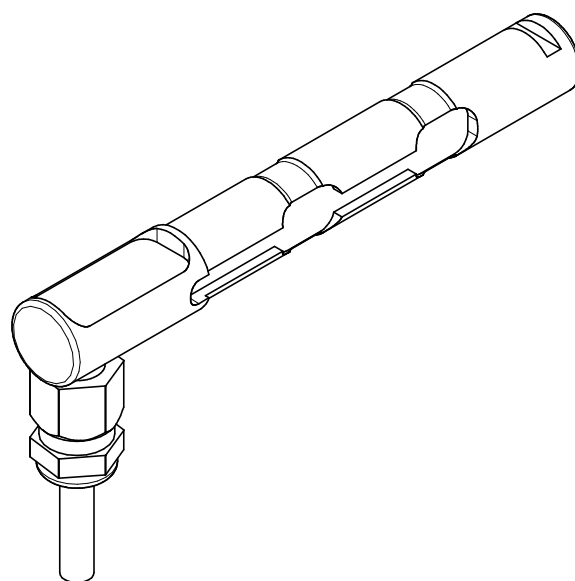
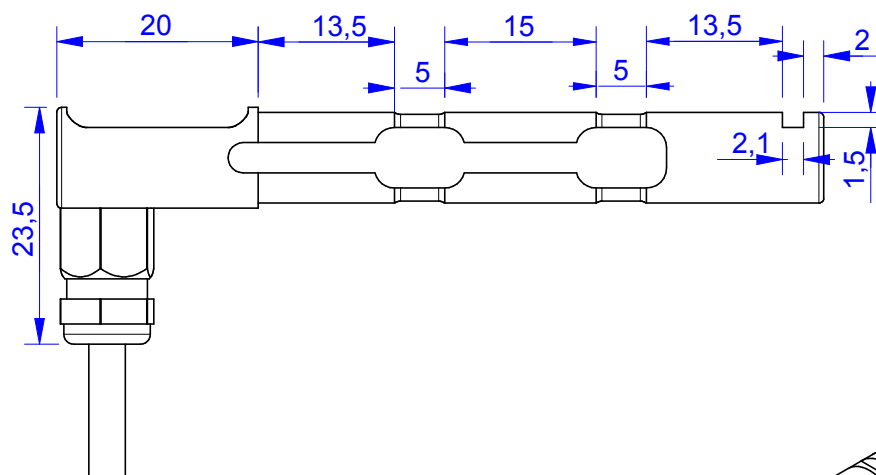
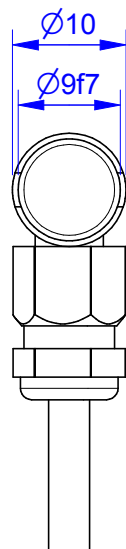


MB285

miniature Load Pin

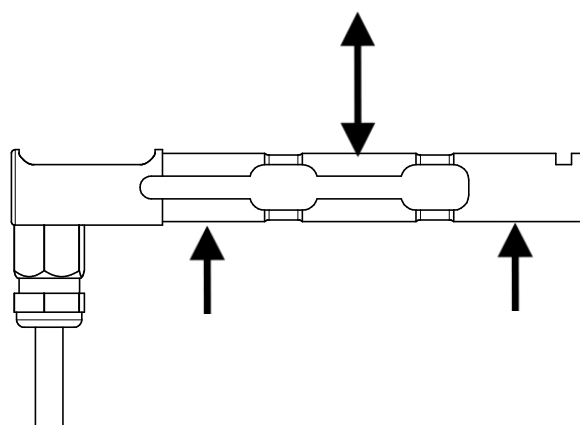


Order no.	Capacity (F.S.)	Review
MB285-0,5-A	0,5 kN	A
MB285-1-A	1 kN	A
MB285-1,5-A	1,5 kN	A
MB285-2-A	2 kN	A
MB285-3-A	3 kN	A

* above showed version
The fixed dimensions don't change at the other capacity.

Specifications: (Customizing on request)

Dimension / Material		Stainless Steel
Material		IP 64
Protection class		
Mechanical Data		
Safe Load Limit	% of F.S.	150
Breaking Load	% of F.S.	300
Electrical Data		
Rated Output	mV/V@F.S.	1
Zero Balance	mV/V	±0,05
Excitation (Maximum)	Volt	10
Input Resistance	Ohm	400±50
Output Resistance	Ohm	352±2
Insulating Resistance	GOhm	>5
Precision		
Precisionclass	%	1
Nonlinearity	% of F.S.	± 0,5
Nonrepeatability	% of F.S.	± 0,25
Hysteresis	% of F.S.	± 0,2
Temp. Shift Zero	% of F.S./K.	±0,05
Temp. Shift Span	% of F.S./K.	±0,05
Temperature		
Compensated Temp.	°C	-10...+60
Operating Temp.	°C	-20...+70



Wiringcode: WC50	Cabletype: stc31v			
Cable Length	Excitation (+)	Excitation (-)	Bridge (+)	Bridge (-)
5 m	red	black	green	white

Batarow
Made in Germany

Batarow Sensorik GmbH
Karow 17
18276 Lüssow

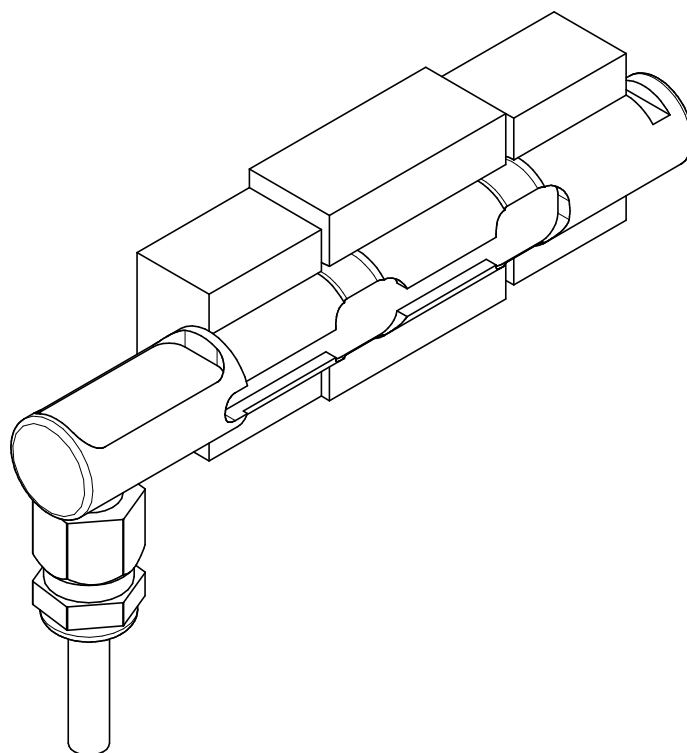
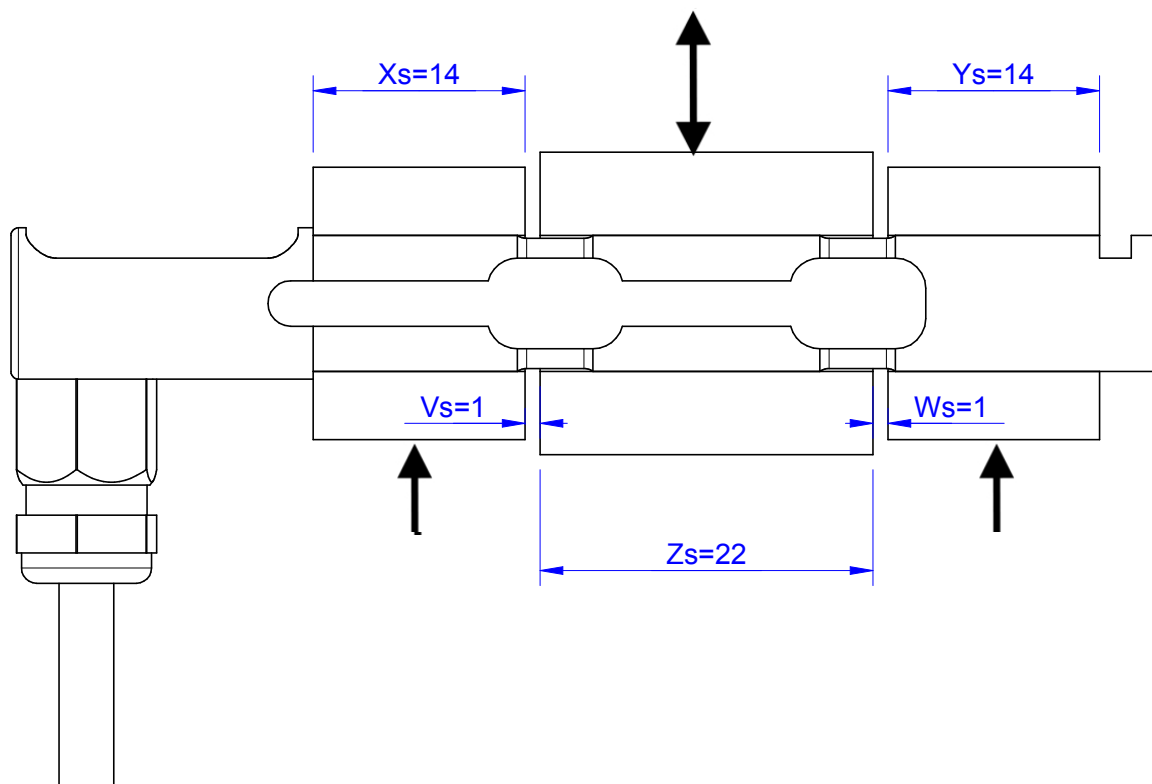
Mail: info@batarow.com
Phone: +49 (0) 3843-855555
Fax : +49 (0) 3843-218842

Internet:
www.batarow.com

Static & Strength Calculation

MB285 Review: B

Configuration 1 (Standard)



Batarow
Made in Germany

Batarow Sensorik GmbH
Karow 17
18276 Lüssow

Mail: info@batarow.com
Phone: +49 (0) 3843-855555
Fax : +49 (0) 3843-218842

Internet:
www.batarow.com