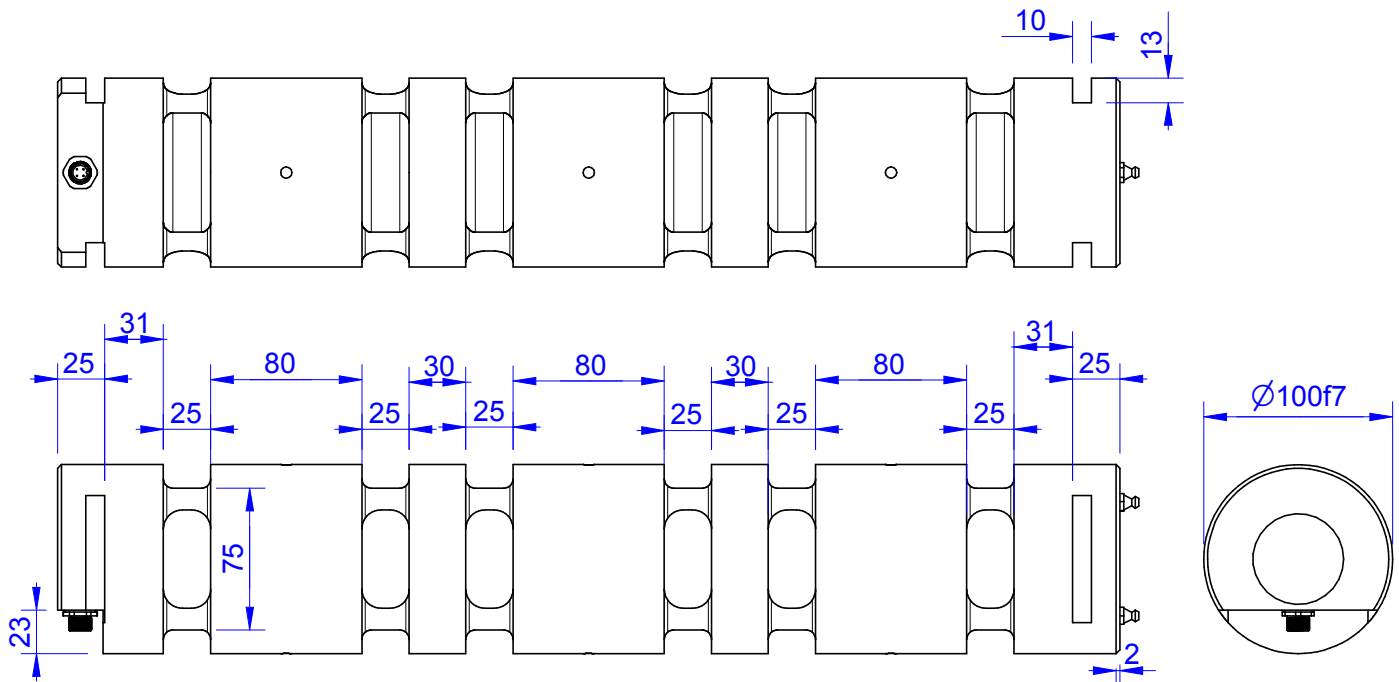
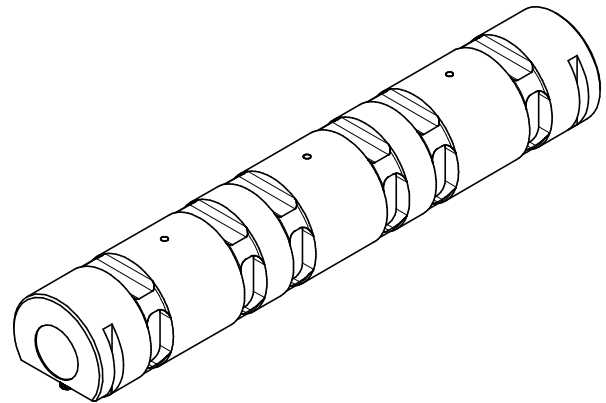


# MB278



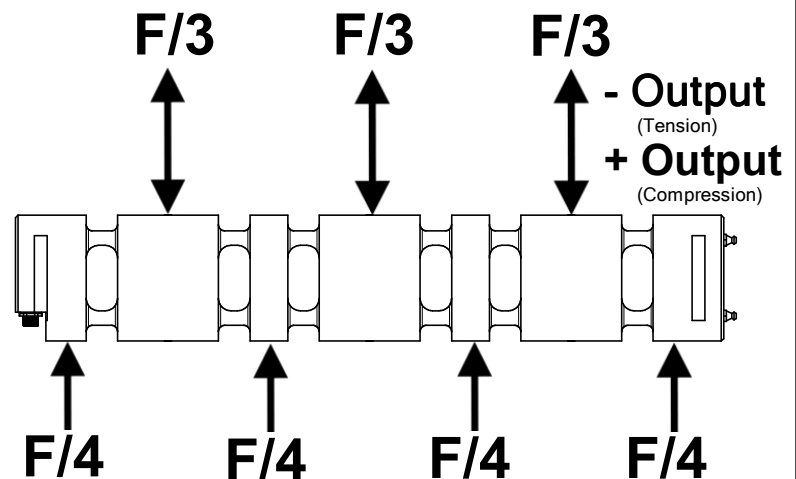
Order no.	Capacity (F.S.)	Review
MB278-200-B	200 kN	B
MB278-500-B*	500 kN	B
MB278-1000-B	1000 kN	B

\* above showed version  
The fixed dimensions don't change at the other capacity.



## Specifications: (Customizing on request)

Dimension / Material		
Type of Construction		HS Steel
Material		IP 68
Protection class		
<b>Mechanical Data</b>		
Safe Load Limit	% of F.S.	150
Breaking Load	% of F.S.	300
<b>Electrical Data</b>		
Output @ 0kN	mA	4
Output @ F.S.	mA	20
Supply Voltage	V	11..30
Current Consumption	mA	15 (@ 24V)
Switching Output		Open Collector
max. Switching current	mA	100
<b>Precision</b>		
Precisionclass	%	1
Nonlinearity	% of F.S.	±0,5
Nonrepeatability	% of F.S.	±0,25
Hysteresis	% of F.S.	±0,2
Temp. Shift Zero	% of F.S./K.	±0,05
Temp. Shift Span	% of F.S./K.	±0,05
<b>Temperature</b>		
Compensated Temp.	°C	-10...+60
Operating Temp.	°C	-20...+70



Wiringcode: WC29			
Integrated Amplifier: GSV-15AL			
Cabeling: M12 Male Socket / Flanschdose (male)			
Supply(+)	Pin 2 / BN	Scale	Pin 5 / GY
Ground (-)	Pin 1 / WH	Threshold	Pin 6 / PK
Output	Pin 3 / GN	Output Ground	Pin 7 / BU
Tare	Pin 4 / YE		



**Batarow**  
Made in Germany

Batarow Sensorik GmbH  
Karow 17  
18276 Lüssow

Mail: info@batarow.com  
Phone: +49 (0) 3843-855555  
Fax : +49 (0) 3843-218842

Internet:  
www.batarow.com

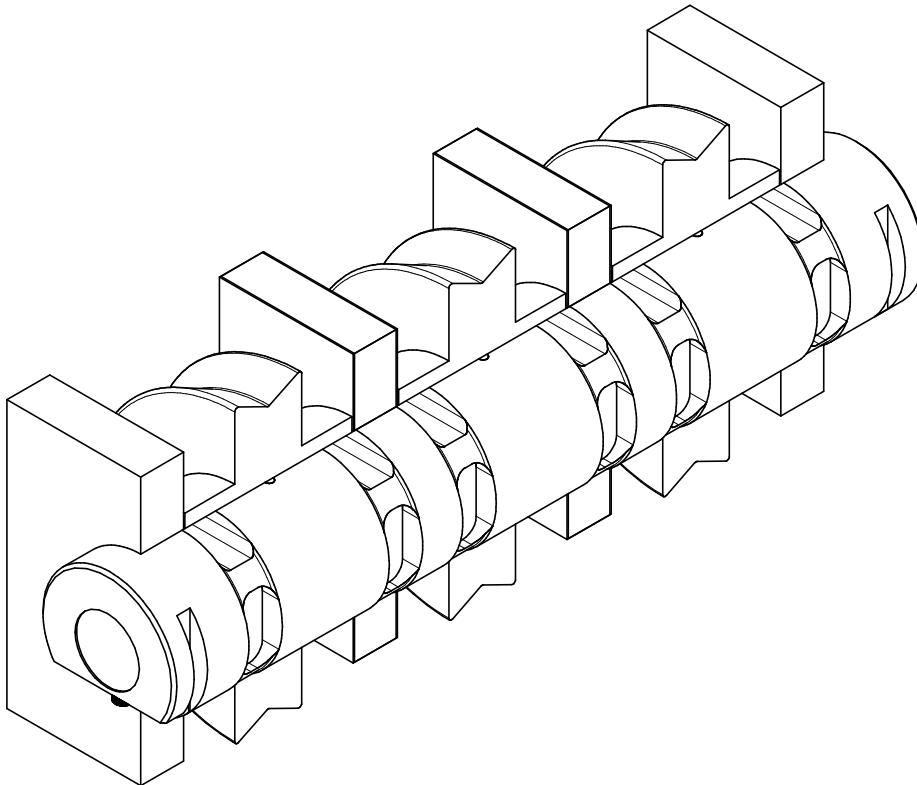
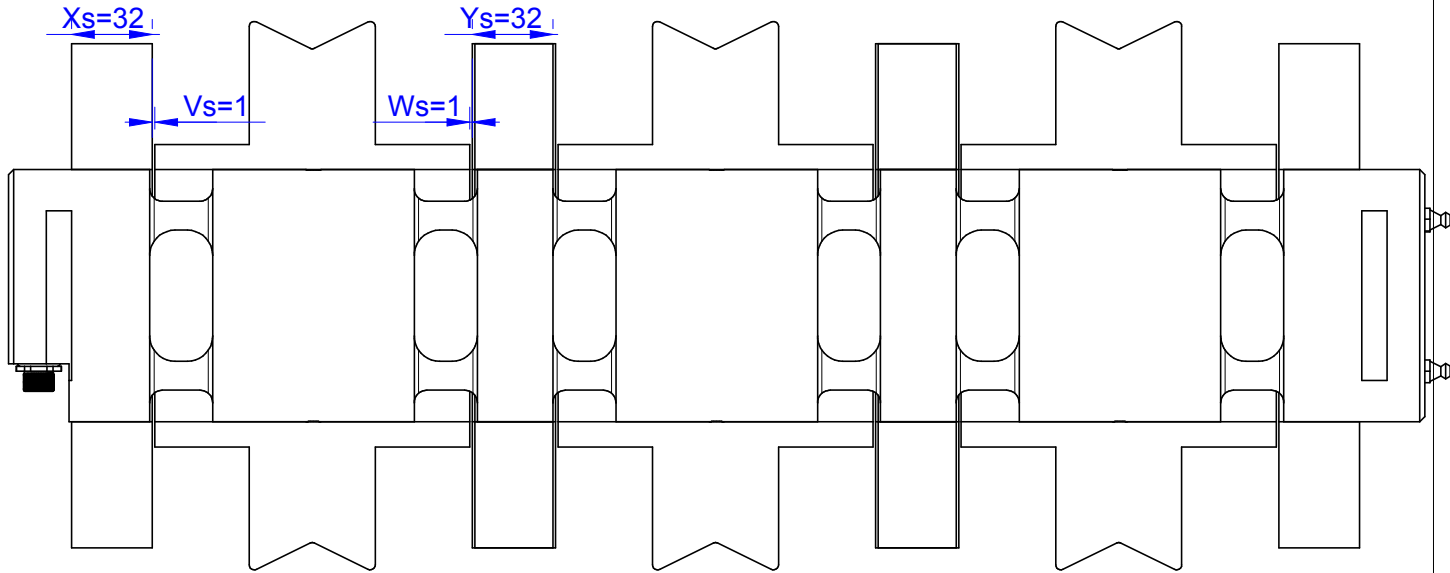
# Mounting Situation

MB278\_rev\_b

## Configuration 1 (Standard)

possible Mounting Situation / Customer Mounting could vary

(Please describe Mounting situation with Vs,Ws,Xs,Ys and Zs for best possible calibration)



**Batarow**  
Made in Germany

Batarow Sensorik GmbH  
Karow 17  
18276 Lüssow

Mail: [info@batarow.com](mailto:info@batarow.com)  
Phone: +49 (0) 3843-855555  
Fax : +49 (0) 3843-218842

Internet:  
[www.batarow.com](http://www.batarow.com)