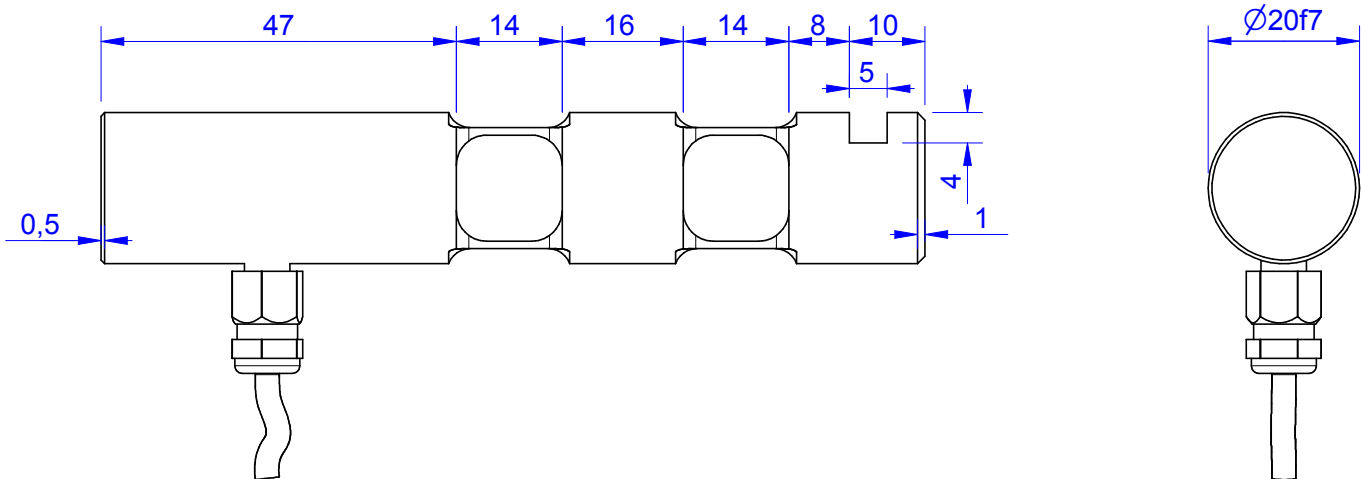


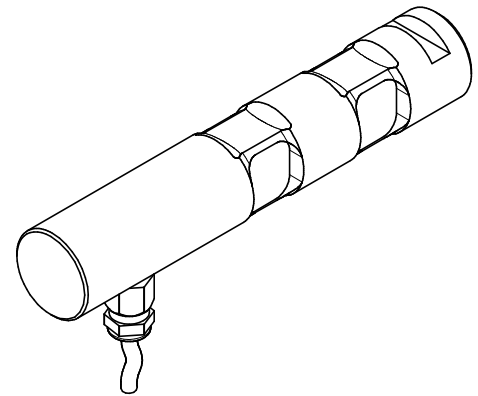
# MB277

## Load Pin



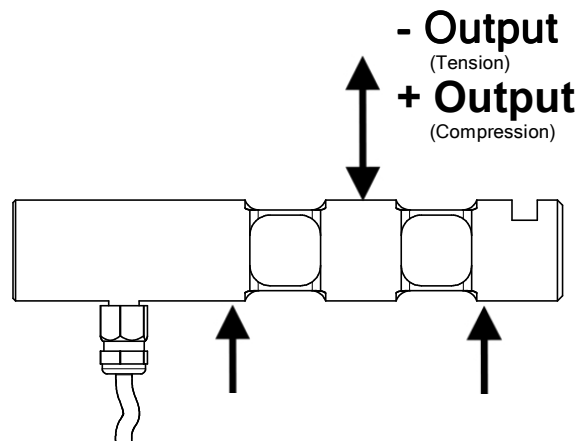
Order no.	Capacity (F.S.)	Review
MB277-1-B*	1 kN	B
MB277-5-B	5 kN	B
MB277-10-B	10 kN	B
MB277-20-B	20 kN	B
MB277-30-B	30 kN	B

\* above showed version  
The fixed dimensions don't change at other capacities.



## Specifications: (Customizing on request)

Dimension / Material		
Type of Construction		Stainless Steel
Material		IP 65
Protection class		
<b>Mechanical Data</b>		
Safe Load Limit	% of F.S.	150
Breaking Load	% of F.S.	300
<b>Electrical Data</b>		
Output @ 0kN	V	0
Output @ F.S.	V	10
Supply Voltage	V	11..30
Current Consumption	mA	15 (@ 24V)
Switching Output		Open Collector
max. Switching current	mA	100
<b>Precision</b>		
Precisionclass	%	1
Nonlinearity	% of F.S.	±0,5
Nonrepeatability	% of F.S.	±0,25
Hysteresis	% of F.S.	±0,2
Temp. Shift Zero	% of F.S./K.	±0,05
Temp. Shift Span	% of F.S./K.	±0,05
<b>Temperature</b>		
Compensated Temp.	°C	-10...+60
Operating Temp.	°C	-20...+70



Wiringcode: WC8					
Integrated Amplifier: GSV-15AL					
Cabeling: 3 m STC31v					
Supply(+)	Ground (-)	Output	Tare	Scale	Threshold
red	black	green	yellow	white	blue

**Batarow**  
Made in Germany

Batarow Sensorik GmbH  
Karow 17  
18276 Lüssow

Mail: info@batarow.com  
Phone: +49 (0) 3843-855555  
Fax : +49 (0) 3843-218842

Internet:  
www.batarow.com