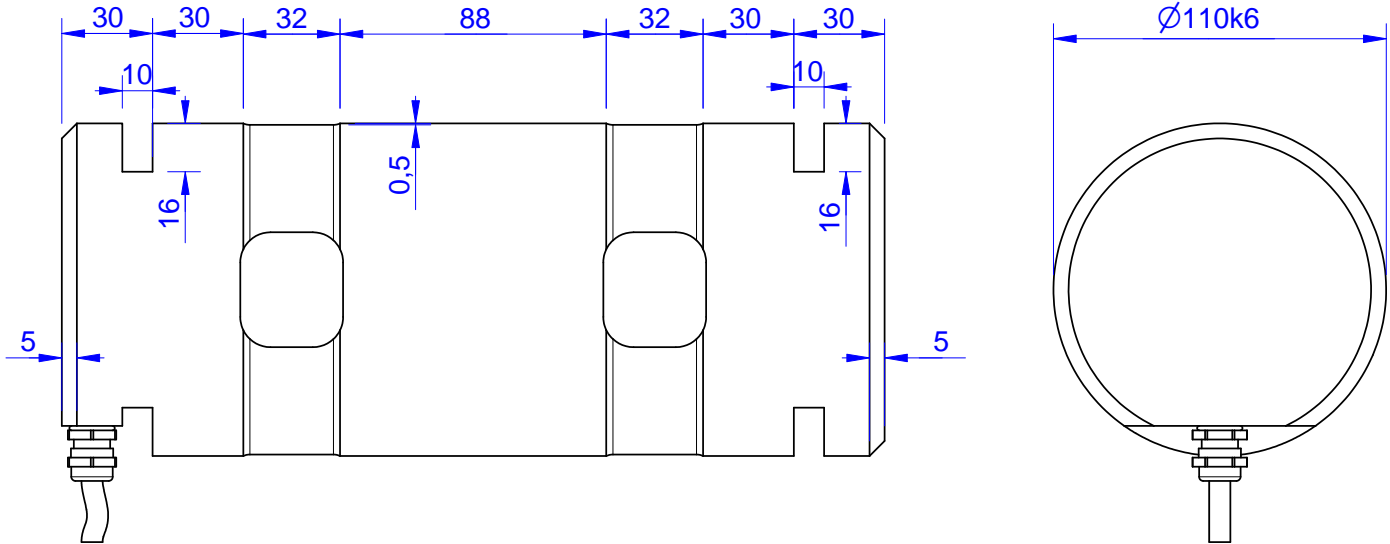


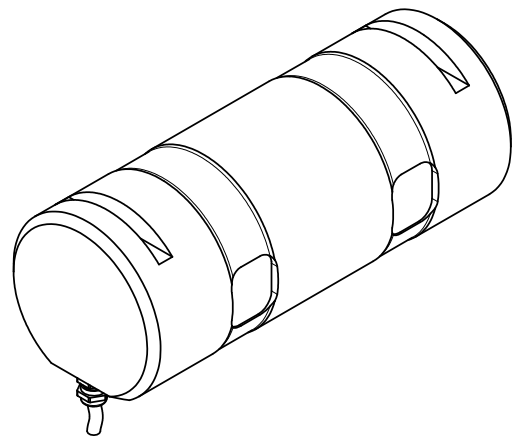
# MB273

Load Pin



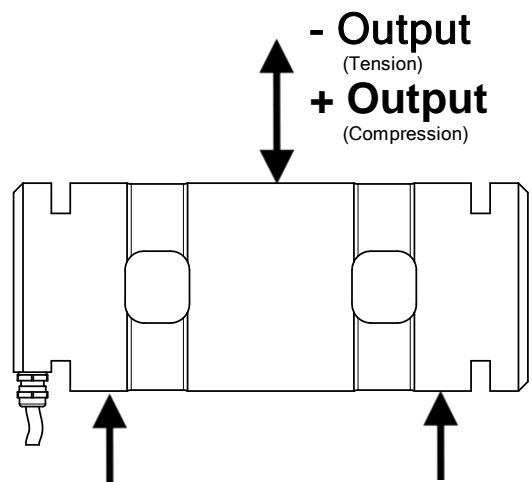
Order no.	Capacity (F.S.)	Review
MB273-20-A	20 kN	A
MB273-250-A	250 kN	A
MB273-500-A	500 kN	A
MB273-1000-A	1000 kN	A
MB273-1500-A*	1500 kN	A

\* above showed version  
The fixed dimensions don't change at other capacities.



## Specifications: (Customizing on request)

<b>Dimension / Material</b>		
Type of Construction		
Material		HS Steel
Protection class		IP 66
<b>Mechanical Data</b>		
Safe Load Limit	% of F.S.	150
Breaking Load	% of F.S.	300
<b>Electrical Data</b>		
Output @ 0kN	mA	4
Output @ F.S.	mA	20
Supply Voltage	V	11..30
Current Consumption	mA	15 (@ 24V)
Switching Output		Open Collector
max. Switching current	mA	100
<b>Precision</b>		
Precisionclass	%	1
Nonlinearity	% of F.S.	±0,5
Nonrepeatability	% of F.S.	±0,25
Hysteresis	% of F.S.	±0,2
Temp. Shift Zero	% of F.S./K.	±0,05
Temp. Shift Span	% of F.S./K.	±0,05
<b>Temperature</b>		
Compensated Temp.	°C	-10...+60
Operating Temp.	°C	-20...+70



Wiringcode: WC8					
Integrated Amplifier: GSV-15AL					
Cabeling: 10 m 3x2x0,25					
Supply(+)	Ground (-)	Output	Tare	Scale	Threshold
brown	white	green	yellow	grey	pink

**Batarow**  
Made in Germany

Batarow Sensorik GmbH  
Karow 17  
18276 Lüssow

Mail: [info@batarow.com](mailto:info@batarow.com)  
Phone: +49 (0) 3843-855555  
Fax : +49 (0) 3843-218842

Internet:  
[www.batarow.com](http://www.batarow.com)

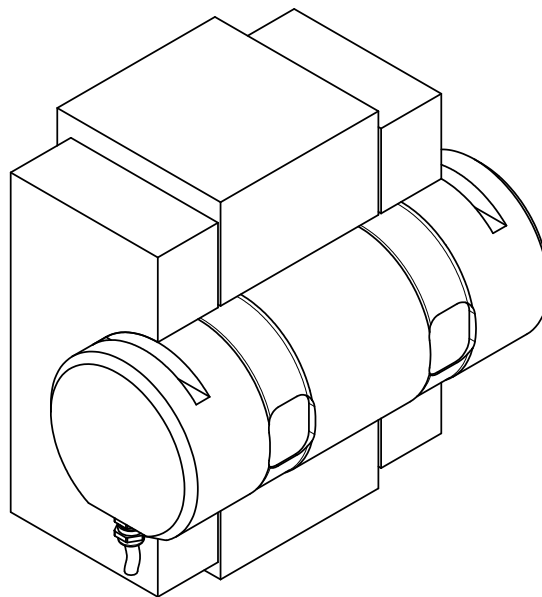
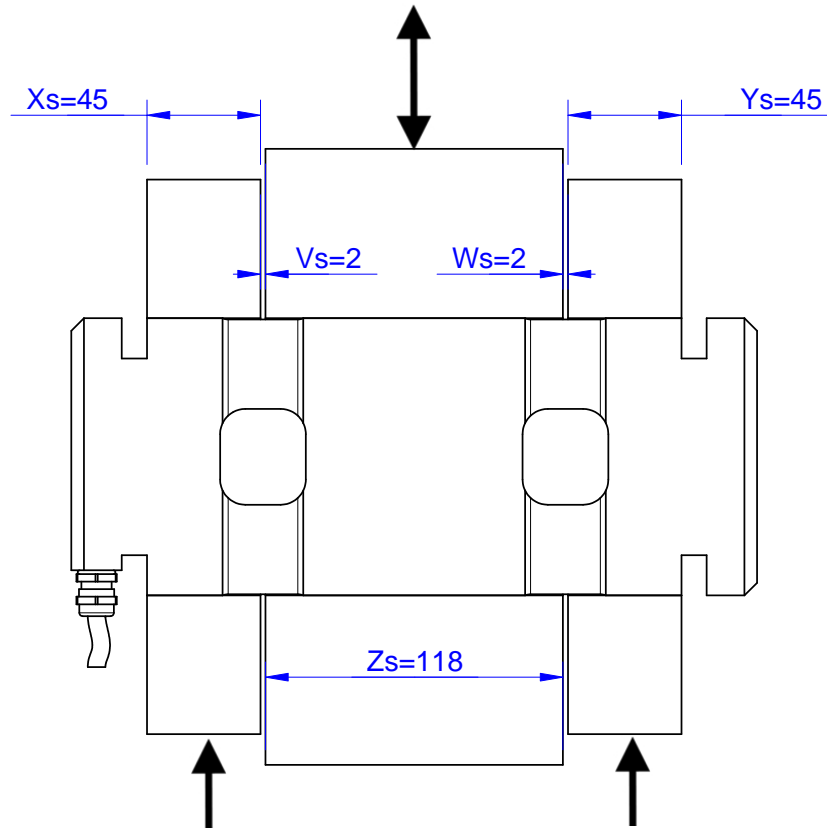
# Mounting Situation

MB273

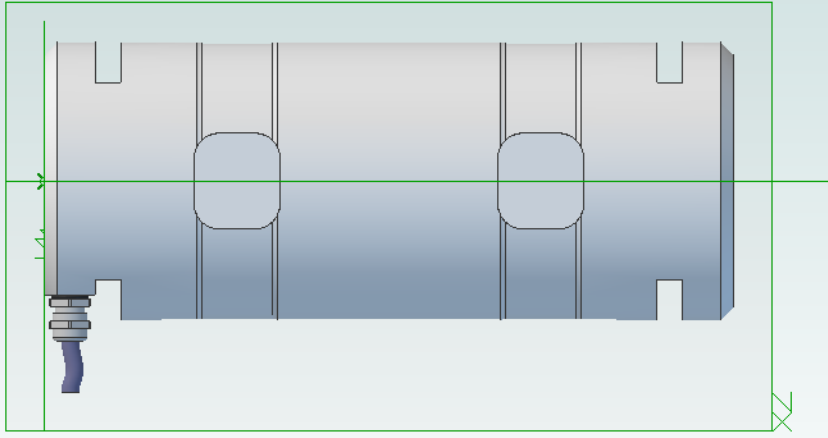
## Configuration 1 (Standard)

possible Mounting Situation / Customer Mounting could vary

(Please describe Mounting situation with Vs,Ws,Xs,Ys and Zs for best possible calibration)



# 3d-pdf loadpin mb273



loadpin: mb273

If you want to view and rotate this model, you have to click on the picture.