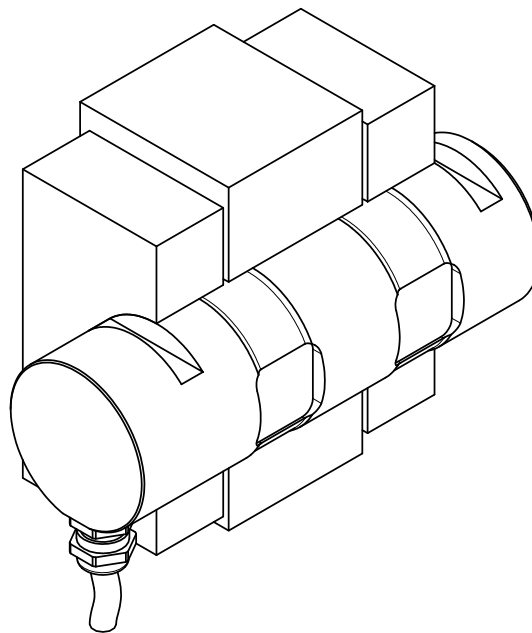
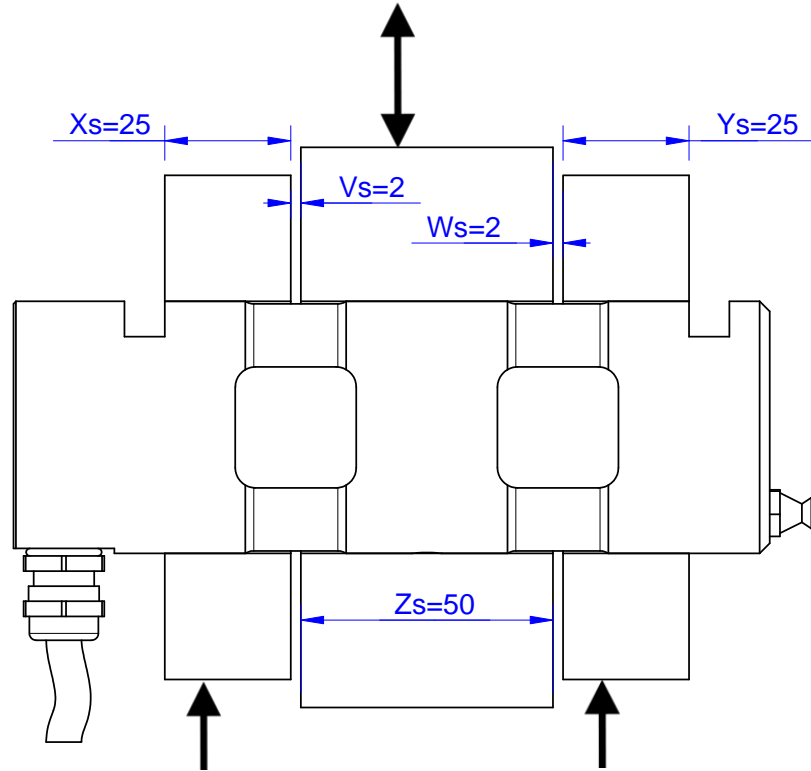


Mounting Situation

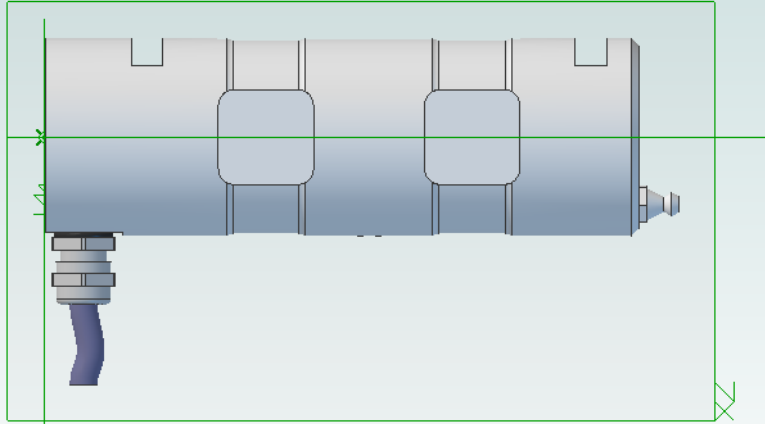
MB268

Configuration 1 (Standard)

possible Mounting Situation / Customer Mounting could vary
(Please describe Mounting situation with Vs,Ws,Xs,Ys and Zs for best possible calibration)



3d-pdf loadpin mb268



loadpin: mb268

If you want to view and rotate this model, you have to click on the picture.