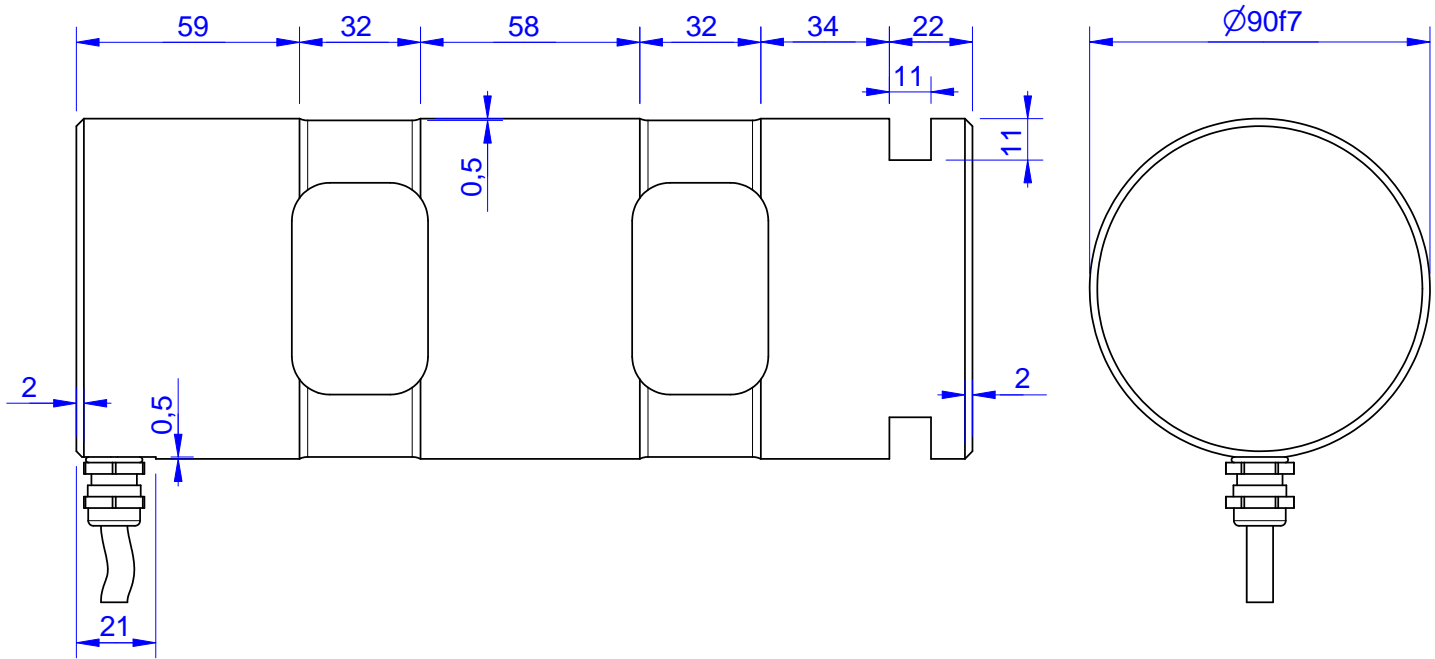


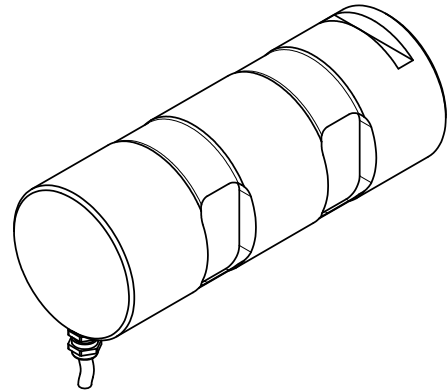
MB261

Load Pin



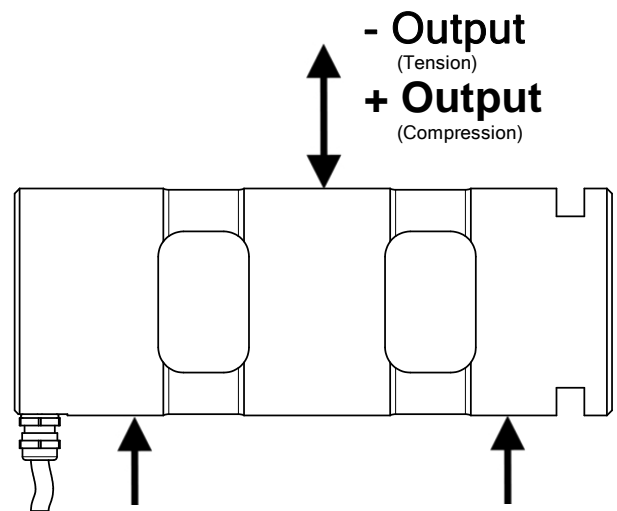
Order no.	Capacity (F.S.)	Review
MB261-20-A	20 kN	A
MB261-100-A	100 kN	A
MB261-400-A*	400 kN	A
MB261-600-A	600 kN	A
MB261-750-A	750 kN	A

* above showed version
The fixed dimensions don't change at other capacities.



Specifications: (Customizing on request)

Dimension / Material		
Material		HS Steel
Protection class		IP 66
Mechanical Data		
Safe Load Limit	% of F.S.	150
Breaking Load	% of F.S.	300
Electrical Data		
Rated Output	mV/V@F.S.	1
Zero Balance	mV/V	$\pm 0,05$
Excitation (Maximum)	Volt	10
Input Resistance	Ohm	800 ± 100
Output Resistance	Ohm	702 ± 2
Insulating Resistance	GOhm	> 5
Precision		
Precision class	%	1
Nonlinearity	% of F.S.	$\pm 0,5$
Nonrepeatability	% of F.S.	$\pm 0,25$
Hysteresis	% of F.S.	$\pm 0,2$
Temp. Shift Zero	% of F.S./K.	$\pm 0,05$
Temp. Shift Span	% of F.S./K.	$\pm 0,05$
Temperature		
Compensated Temp.	$^{\circ}\text{C}$	-10...+60
Operating Temp.	$^{\circ}\text{C}$	-20...+70



Wiringcode: WC1		Cabletype: 2x2x0,25 PUR		
Cable Length	Excitation (+)	Excitation (-)	Bridge (+)	Bridge (-)
5 m	brown	white	green	yellow

Batarow
Made in Germany

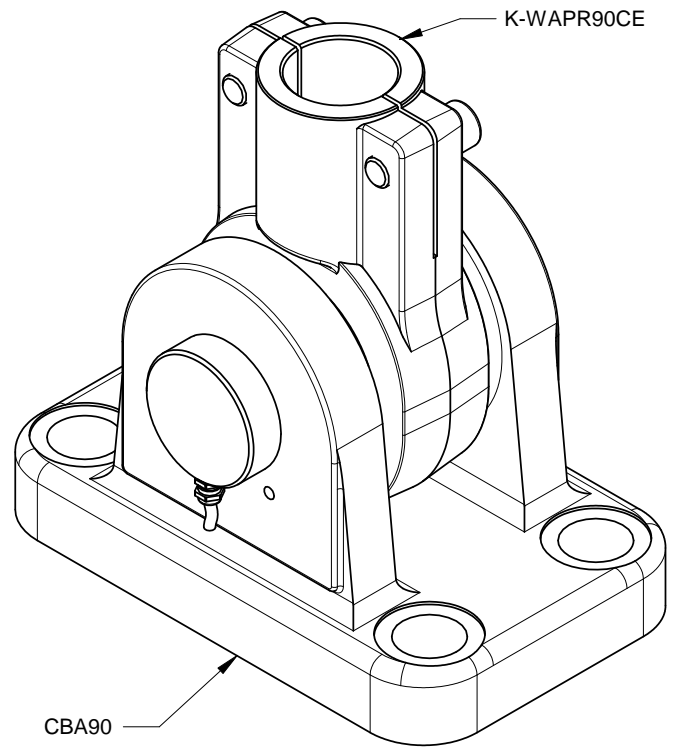
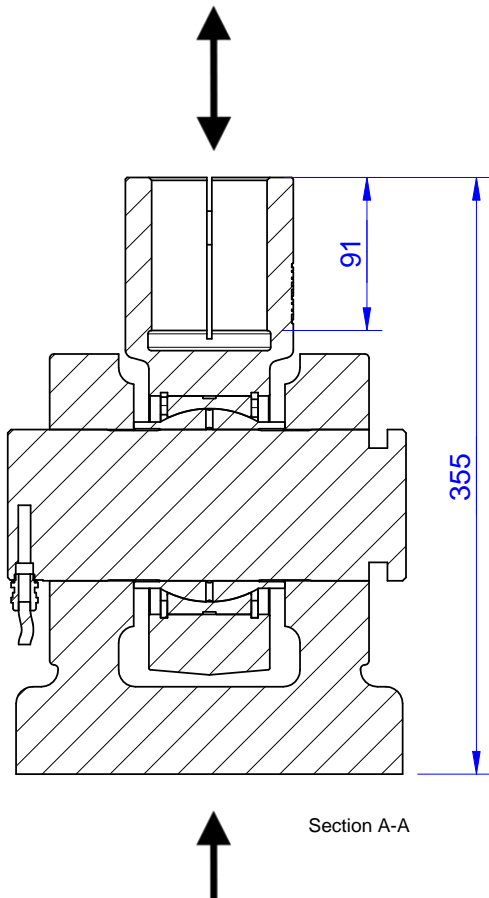
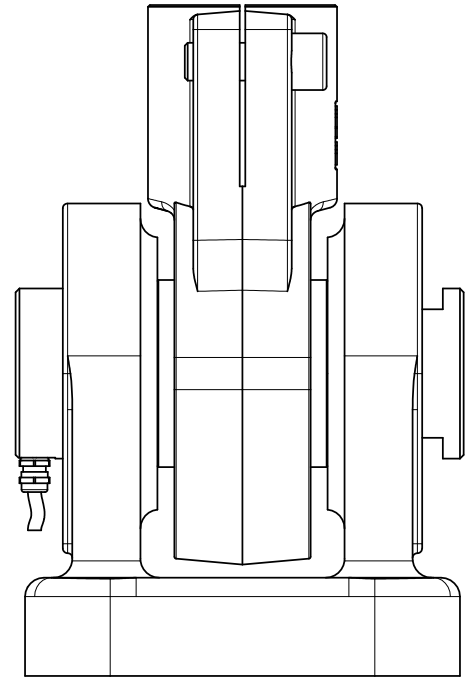
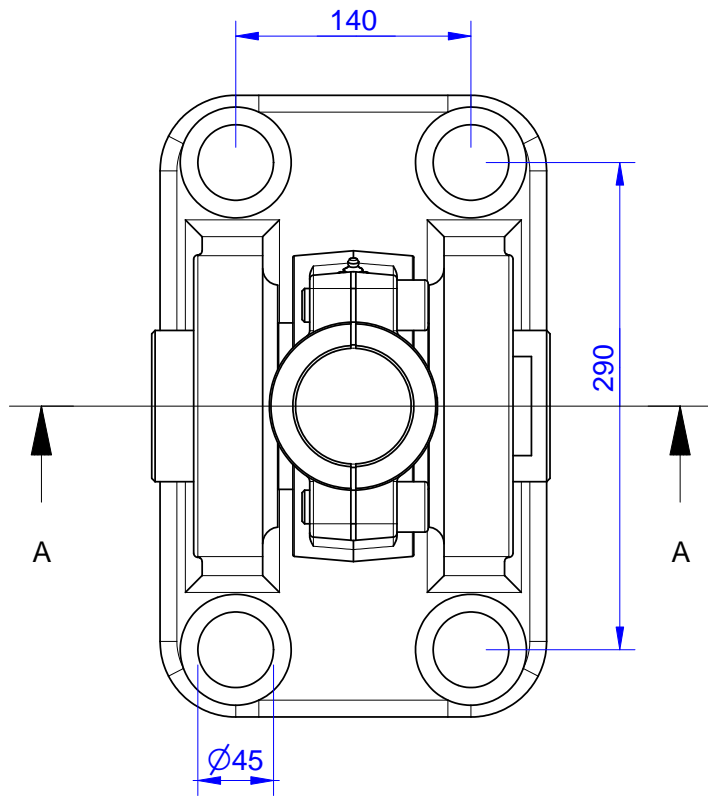
Batarow Sensorik GmbH
Karow 17
18276 Lüssow

Mail: info@batarow.com
Phone: +49 (0) 3843-855555
Fax : +49 (0) 3843-218842

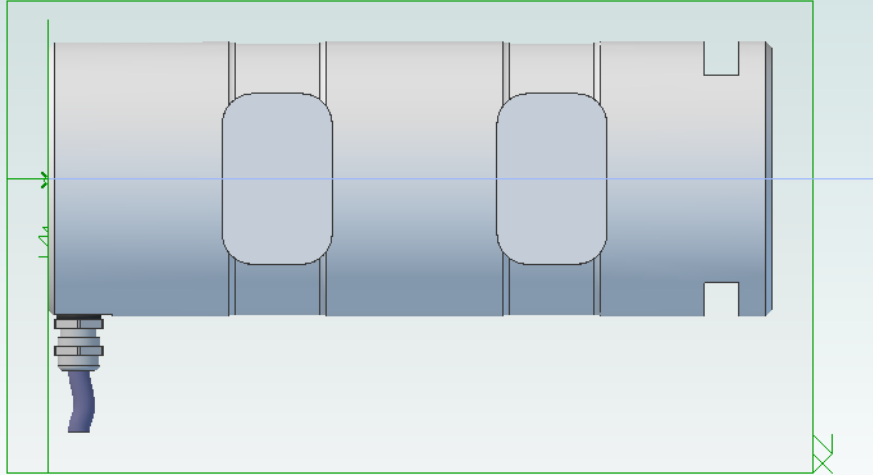
Internet:
www.batarow.com

Mounting Situation

MB261



3d-pdf loadpin mb261



loadpin: mb261

If you want to view and rotate this model, you have to click on the picture.