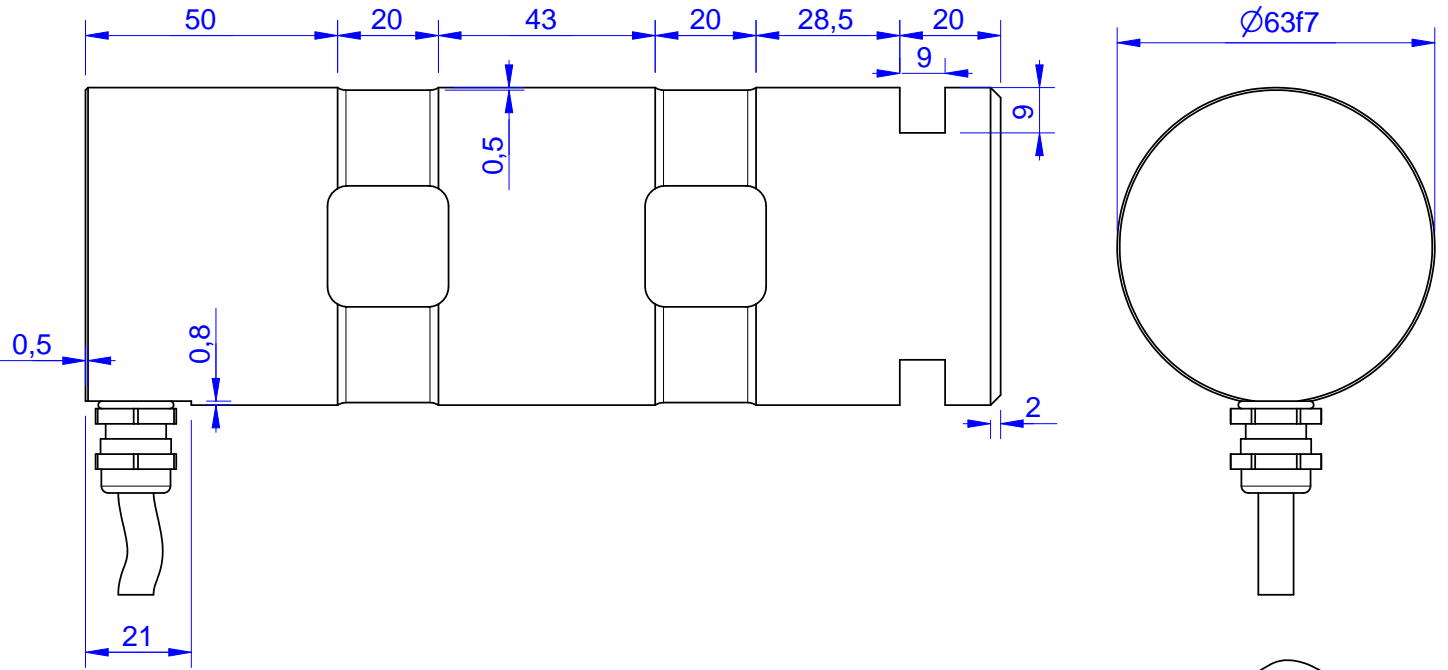


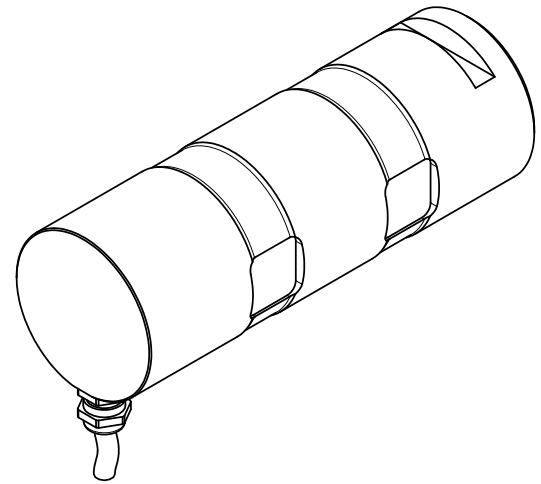
# MB258

Load Pin



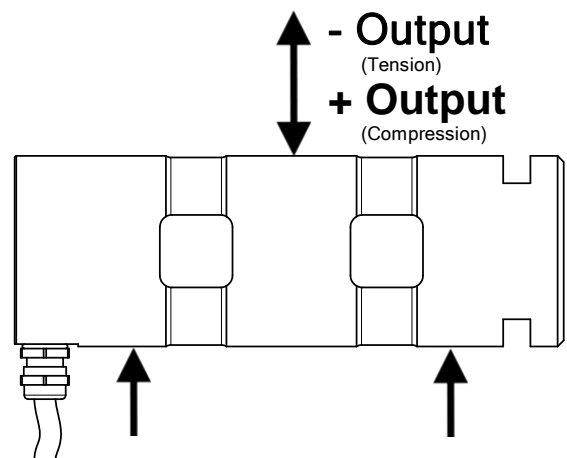
Order no.	Capacity (F.S.)	Review
MB258-10-A	10 kN	A
MB258-50-A	50 kN	A
MB258-100-A	100 kN	A
MB258-200-A*	200 kN	A
MB258-350-A	350 kN	A

\* above showed version  
The fixed dimensions don't change at other capacities.



## Specifications: (Customizing on request)

Dimension / Material		
Material		HS Steel
Protection class		IP 66
<b>Mechanical Data</b>		
Safe Load Limit	% of F.S.	150
Breaking Load	% of F.S.	300
<b>Electrical Data</b>		
Rated Output	mV/V@F.S.	1
Zero Balance	mV/V	$\pm 0,05$
Excitation (Maximum)	Volt	10
Input Resistance	Ohm	$800 \pm 100$
Output Resistance	Ohm	$702 \pm 2$
Insulating Resistance	GOhm	$> 5$
<b>Precision</b>		
Precisionclass	%	1
Nonlinearity	% of F.S.	$\pm 0,5$
Nonrepeatability	% of F.S.	$\pm 0,25$
Hysteresis	% of F.S.	$\pm 0,2$
Temp. Shift Zero	% of F.S./K.	$\pm 0,05$
Temp. Shift Span	% of F.S./K.	$\pm 0,05$
<b>Temperature</b>		
Compensated Temp.	$^{\circ}\text{C}$	-10...+60
Operating Temp.	$^{\circ}\text{C}$	-20...+70



Wiringcode: WC1		Cabletype: 2x2x0,25 PUR		
Cable Length	Excitation (+)	Excitation (-)	Bridge (+)	Bridge (-)
5 m	brown	white	green	yellow

**Batarow**  
Made in Germany

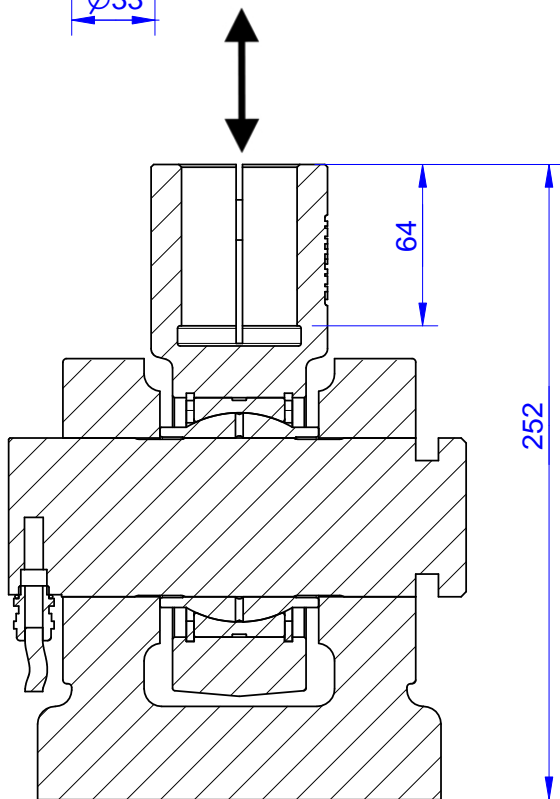
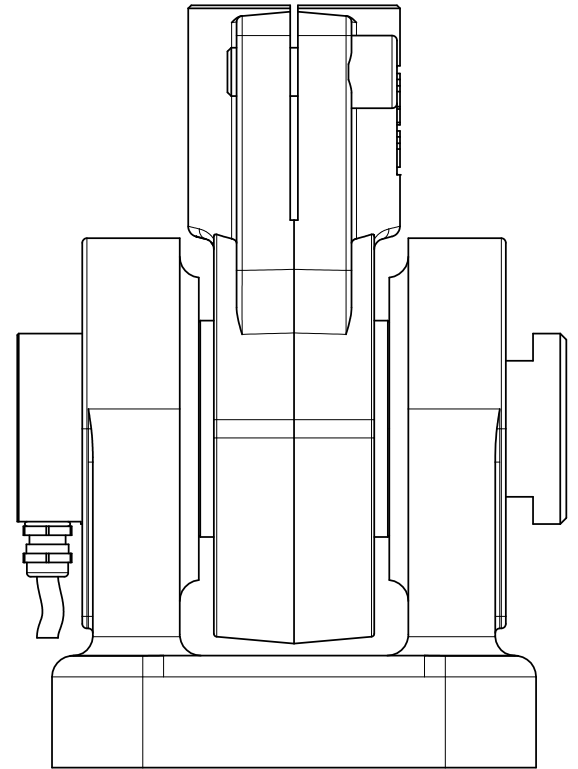
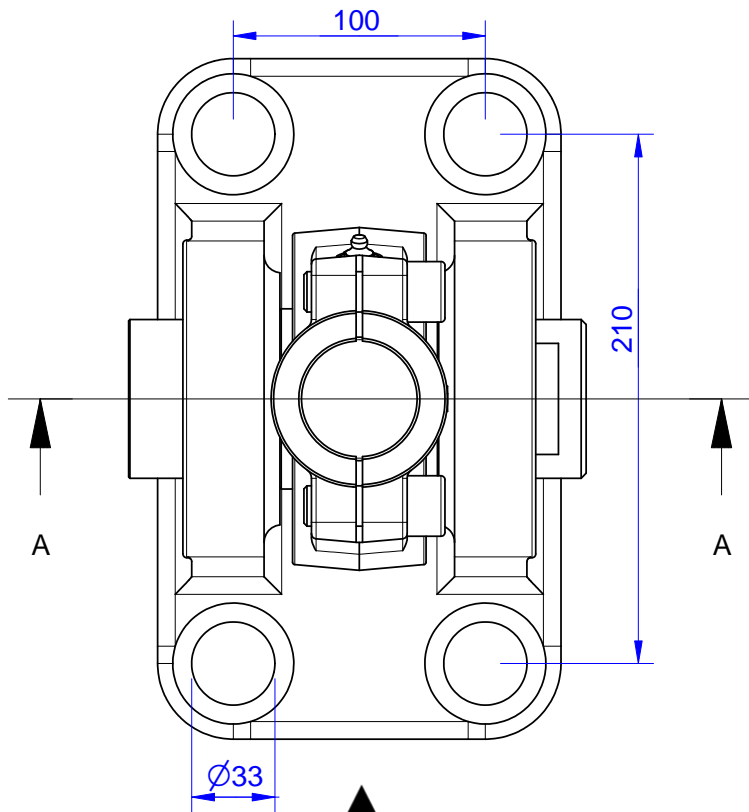
Batarow Sensorik GmbH  
Karow 17  
18276 Lüssow

Mail: [info@batarow.com](mailto:info@batarow.com)  
Phone: +49 (0) 3843-855555  
Fax : +49 (0) 3843-218842

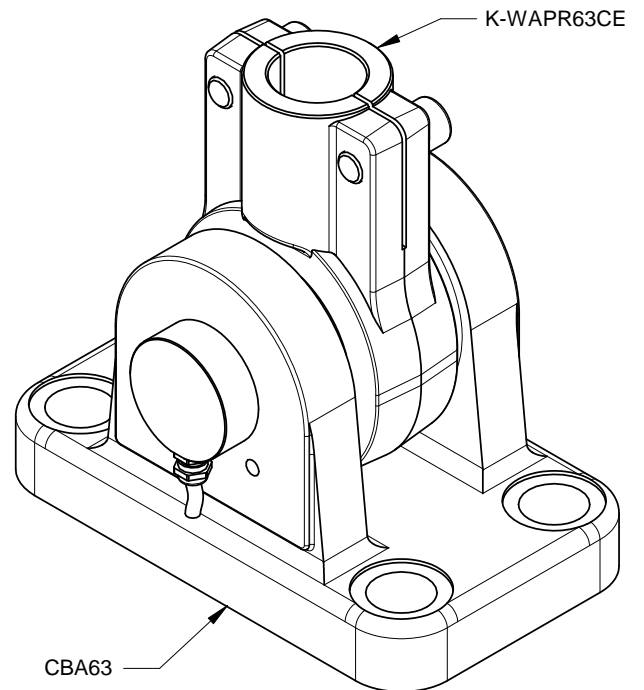
Internet:  
[www.batarow.com](http://www.batarow.com)

# Mounting Situation

MB258



Section A-A



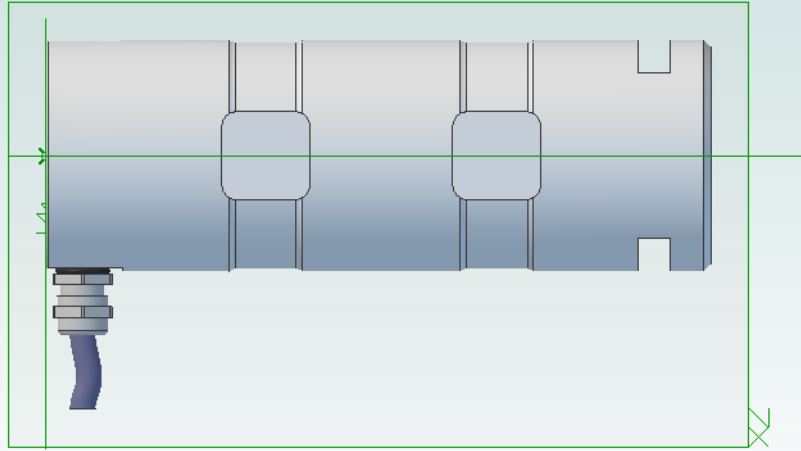
**Batarow**  
Made in Germany

Batarow Sensorik GmbH  
Karow 17  
18276 Lüssow

Mail: [info@batarow.com](mailto:info@batarow.com)  
Phone: +49 (0) 3843-855555  
Fax : +49 (0) 3843-218842

Internet:  
[www.batarow.com](http://www.batarow.com)

# 3d-pdf loadpin mb258



loadpin: mb258

If you want to view and rotate this model, you have to click on the picture.