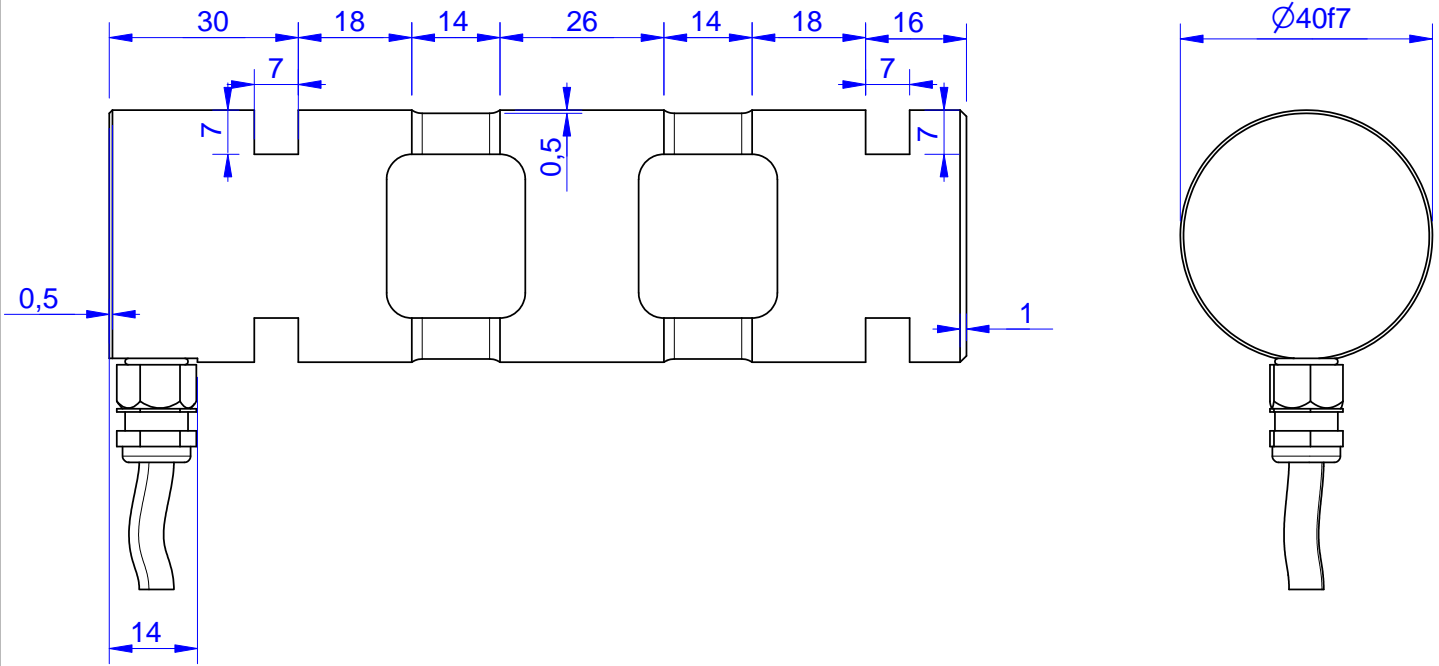


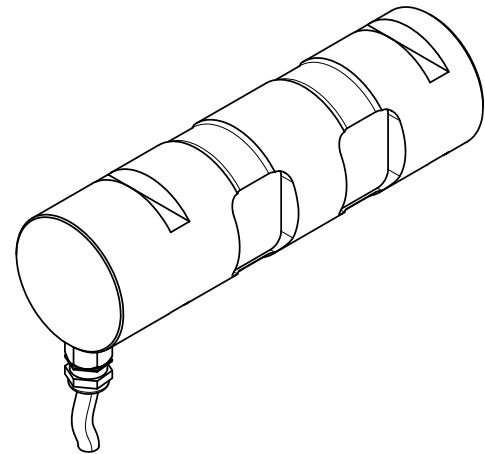
# MB256

Load Pin



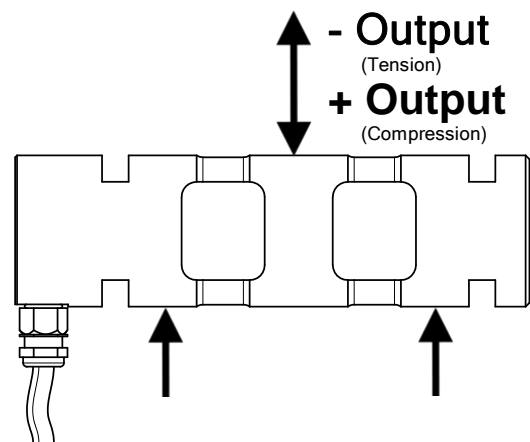
Order no.	Capacity (F.S.)	Review
MB256-10-A	10 kN	A
MB256-50-A	50 kN	A
MB256-80-A*	80 kN	A
MB256-100-A	100 kN	A
MB256-150-A	150 kN	A

\* above showed version  
The fixed dimensions don't change at other capacities.



## Specifications: (Customizing on request)

<b>Dimension / Material</b>		
Material		HS Steel
Protection class		IP 66
<b>Mechanical Data</b>		
Safe Load Limit	% of F.S.	150
Breaking Load	% of F.S.	300
<b>Electrical Data</b>		
Rated Output	mV/V@F.S.	1
Zero Balance	mV/V	±0,05
Excitation (Maximum)	Volt	10
Input Resistance	Ohm	800±100
Output Resistance	Ohm	702±2
Insulating Resistance	GOhm	>5
<b>Precision</b>		
Precisionclass	%	1
Nonlinearity	% of F.S.	± 0,5
Nonrepeatability	% of F.S.	± 0,25
Hysteresis	% of F.S.	± 0,2
Temp. Shift Zero	% of F.S./K.	±0,05
Temp. Shift Span	% of F.S./K.	±0,05
<b>Temperature</b>		
Compensated Temp.	°C	-10...+60
Operating Temp.	°C	-20...+70



Wiringcode:	WC1	Cabletype:	4x0,14 Lapp FD	
Cable Length	5 m	Excitation (+)	Excitation (-)	Bridge (+) / Bridge (-)
		brown	white	green / yellow

**Batarow**  
Made in Germany

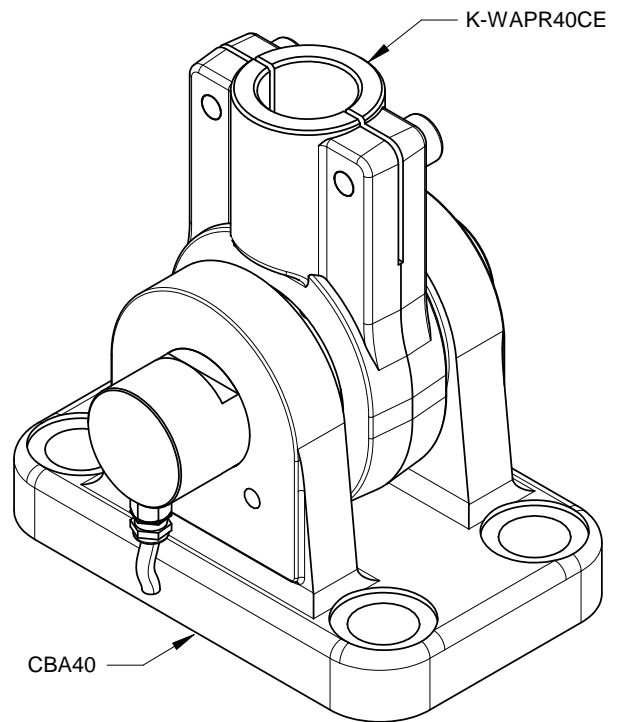
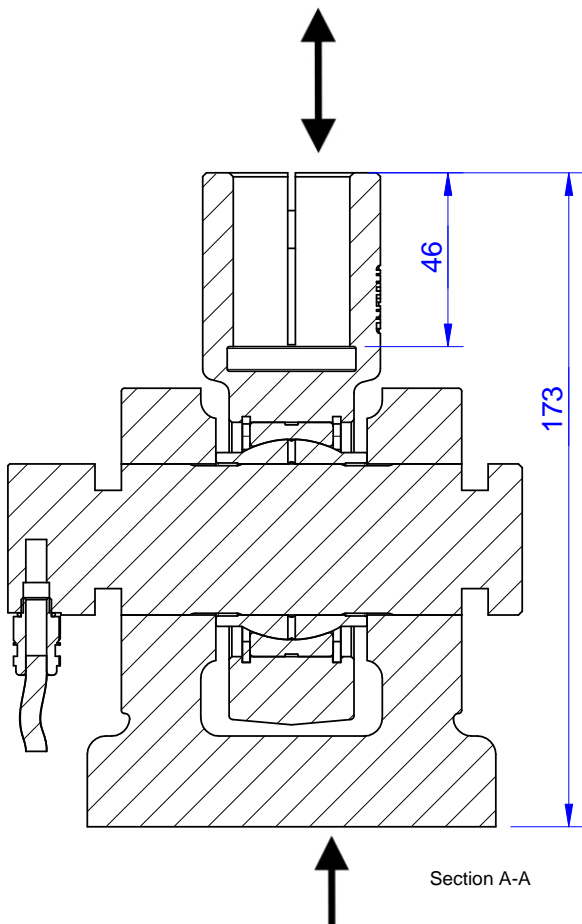
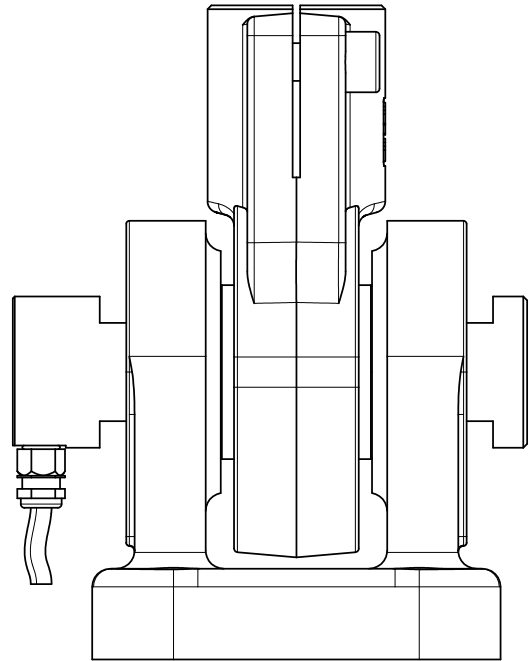
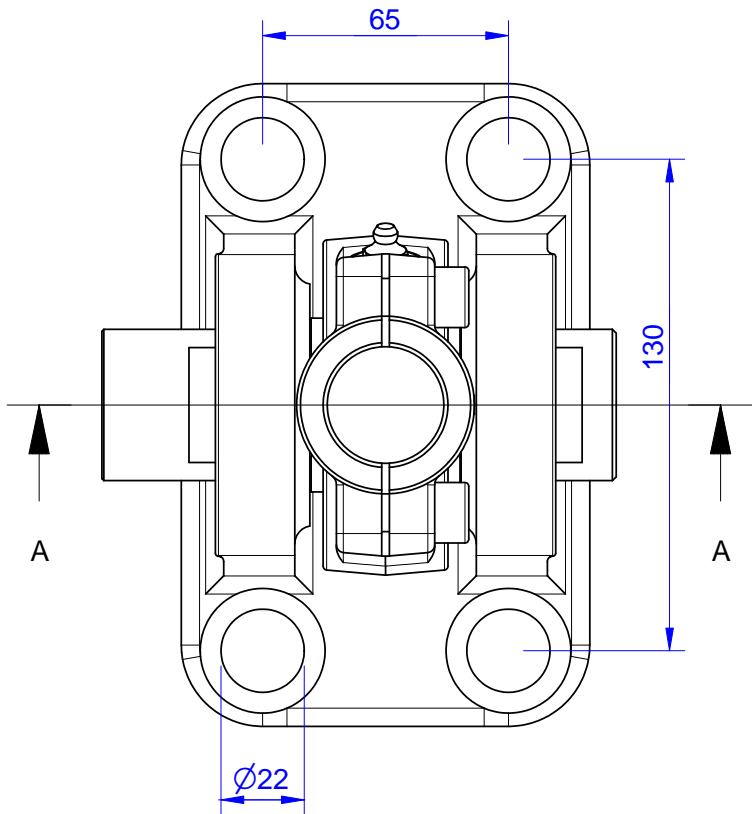
Batarow Sensorik GmbH  
Karow 17  
18276 Lüssow

Mail: info@batarow.com  
Phone: +49 (0) 3843-855555  
Fax : +49 (0) 3843-218842

Internet:  
www.batarow.com

# Mounting Situation

MB256



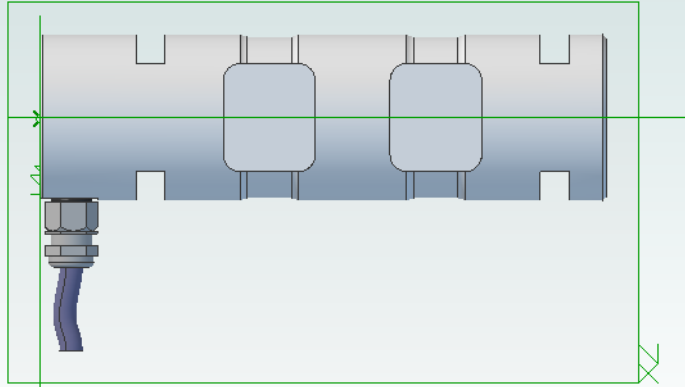
**Batarow**  
Made in Germany

Batarow Sensorik GmbH  
Karow 17  
18276 Lüssow

Mail: [info@batarow.com](mailto:info@batarow.com)  
Phone: +49 (0) 3843-855555  
Fax : +49 (0) 3843-218842

Internet:  
[www.batarow.com](http://www.batarow.com)

# 3d-pdf loadpin mb256



loadpin: mb256

If you want to view and rotate this model, you have to click on the picture