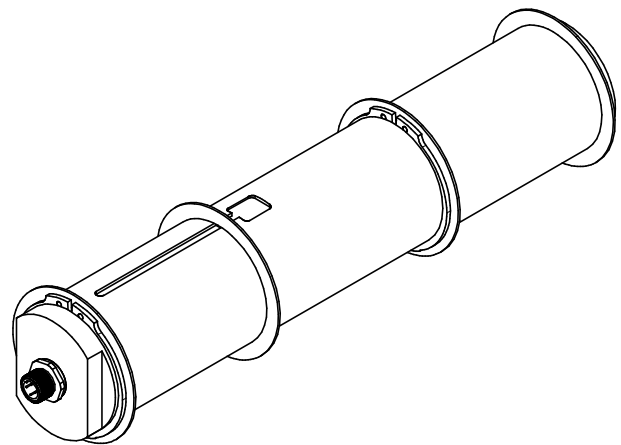
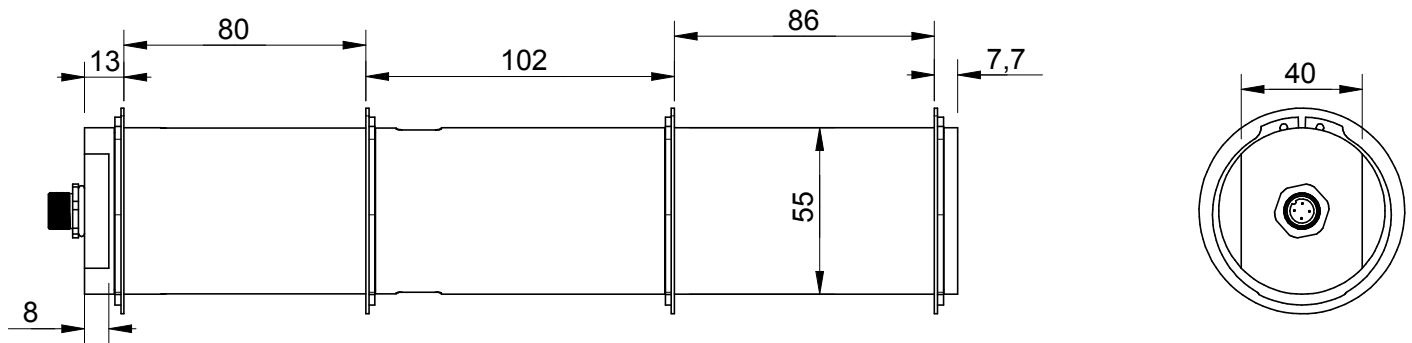


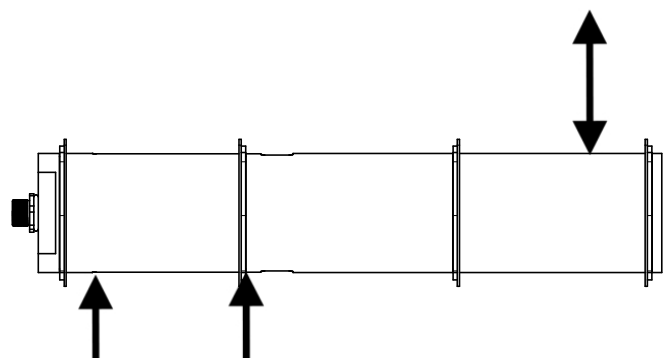
MB249

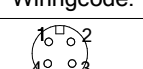
Rev_B



Specifications: (Customizing on request)

| | | |
|-----------------------------|--------------|------------|
| Dimension / Material | | |
| Type of Construction | | |
| Material | | HS Steel |
| Protection class | | IP 64 |
| Mechanical Data | | |
| Capacity (F.S.) | kN | 12 |
| Safe Load Limit | % of F.S. | 150 |
| Breaking Load | % of F.S. | 300 |
| Electrical Data | | |
| Output @ 0kN | mA | 4 |
| Output @ F.S. | mA | 20 |
| Supply Voltage | V | 11..30 |
| Current Consumption | mA | 15 (@ 24V) |
| Switching Output | | n.c. |
| max. Switching current | mA | n.c. |
| Precision | | |
| Precisionclass | % | 1 |
| Nonlinearity | % of F.S. | ±0,5 |
| Nonrepeatability | % of F.S. | ±0,25 |
| Hysteresis | % of F.S. | ±0,2 |
| Temp. Shift Zero | % of F.S./K. | ±0,05 |
| Temp. Shift Span | % of F.S./K. | ±0,05 |
| Temperature | | |
| Compensated Temp. | °C | -10...+60 |
| Operating Temp. | °C | -20...+70 |



| | | | | |
|---|---------------------------|------------------------|---------------------|---------------------|
| Wiringcode: WC7 | Connectortype: M12 (male) | | | |
|  | Exitation (+) Pin 1 | Exitation (-) Pin 2 | Bridge (+) Pin 3 | Bridge (-) Pin 4 |

Batarow
Made in Germany

Batarow Sensorik GmbH
Karow 17
18276 Lüssow

Mail: info@batarow.com
Phone: +49 (0) 3843-855555
Fax : +49 (0) 3843-218842

Internet:
www.batarow.com

Mounting Situation

MB249 rev_a

Configuration 1 (Standard)

